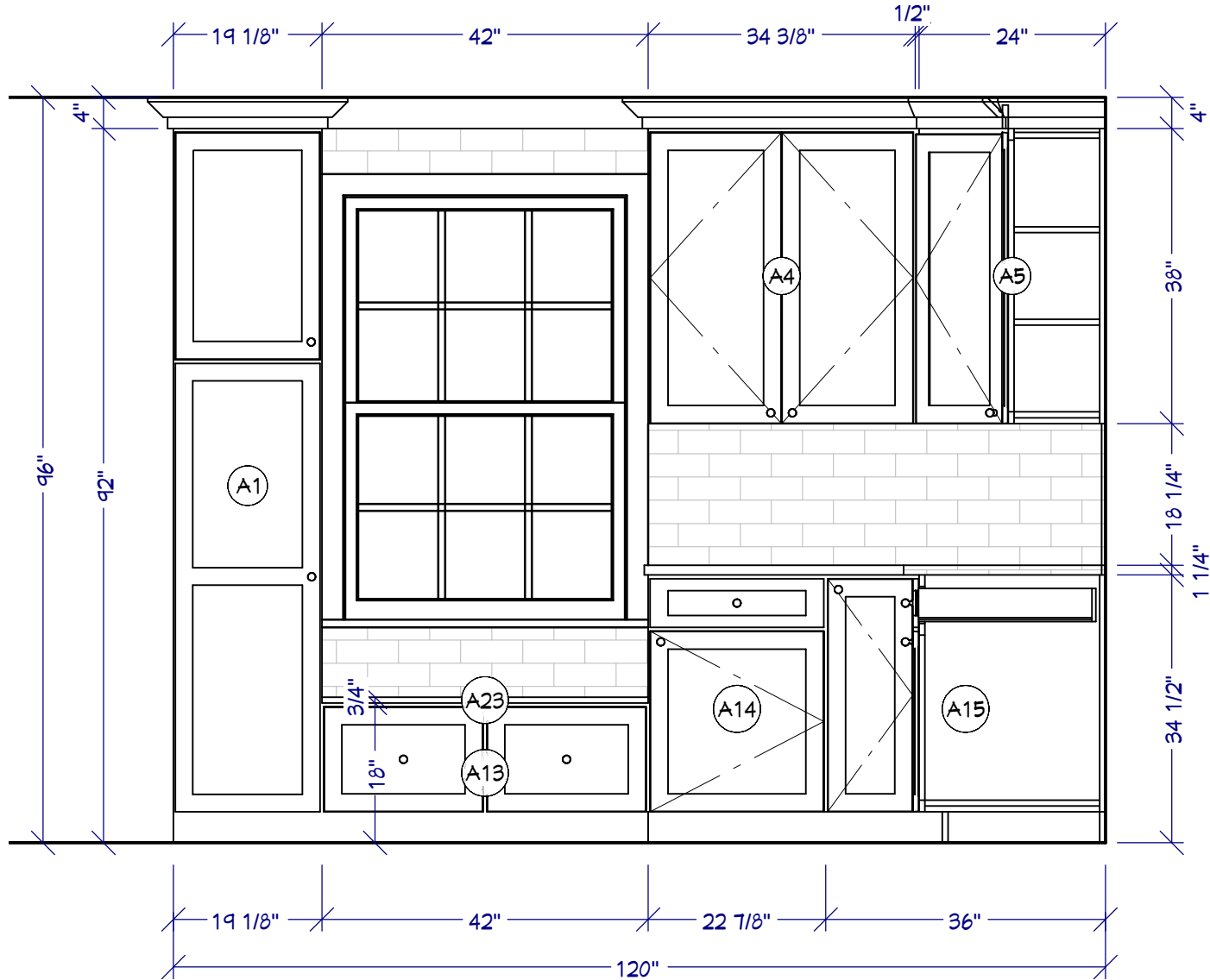
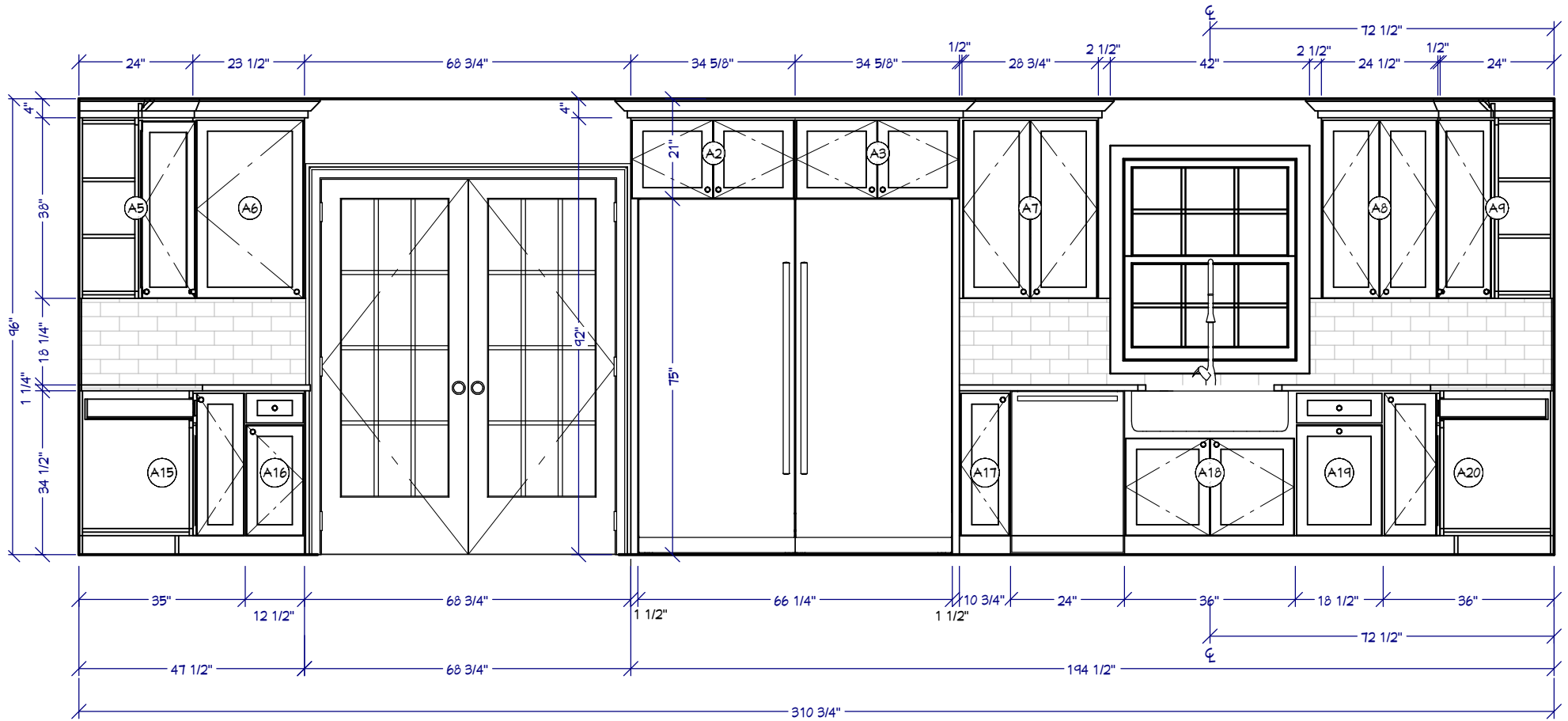
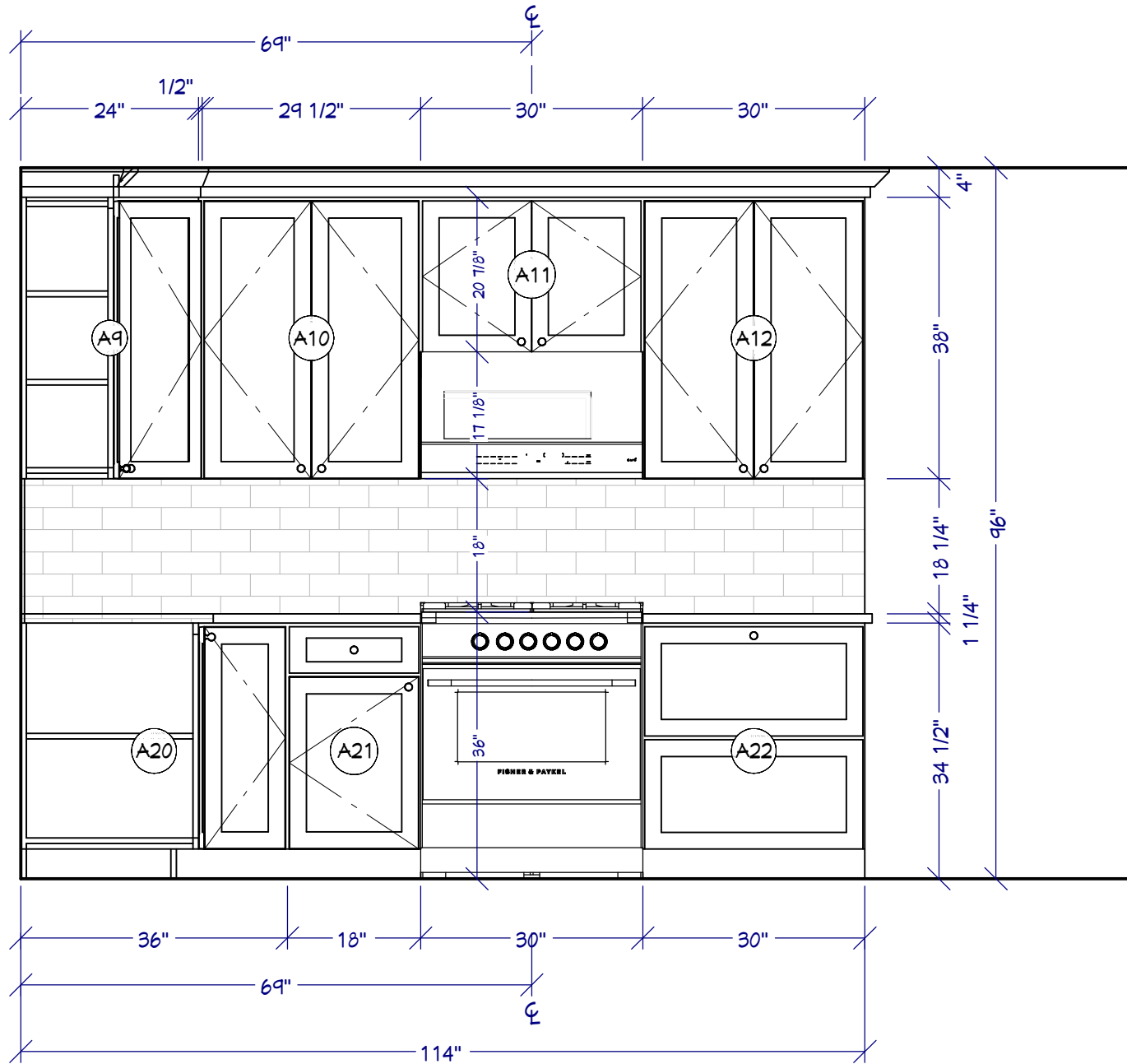


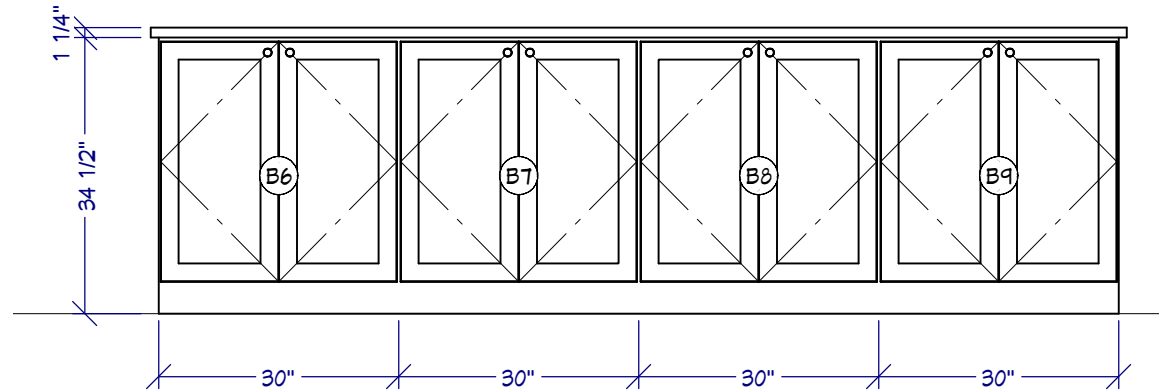
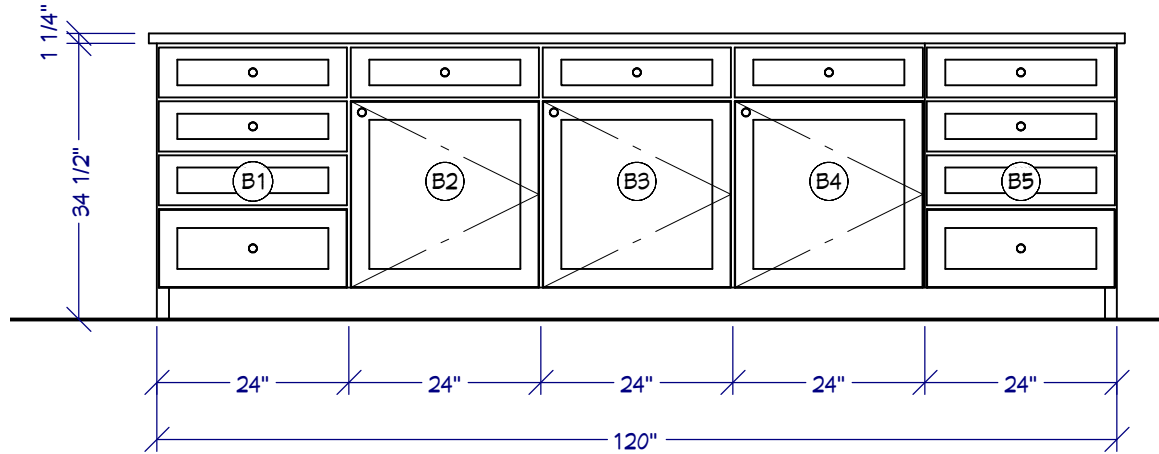
Schedule A: 1 1/4" Overlay; Albany Door, Matching Drawer front, MDF, Frosty White Colourtone					
	ITEM CODE	WIDTH	HEIGHT	DEPTH	ITEM DESCRIPTION
A1	CSUCD	19 1/8"	92"	24"	utility cabinet single door
A2	CSRTL	34 5/8"	92"	26"	custom refrigerator left sided butt doors
A3	CSRTL	34 5/8"	92"	26"	custom refrigerator left sided butt doors
A4	CSW BD	34 3/8"	38"	12 1/2"	wall cabinet butt doors
A5	CSWCP	24"	38"	24"	wall corner pie
A6	CSW	23"	38"	12 1/2"	wall cabinet single door
A7	CSW BD	28 3/4"	38"	12 1/2"	wall cabinet butt doors
A8	CSW	24 1/2"	38"	12 1/2"	wall cabinet single door
A9	CSWCP	24"	38"	24"	wall corner pie
A10	CSW	29 1/2"	38"	12 1/2"	wall cabinet single door
A11	CSWMB	30"	20 7/8"	12 1/2"	wall cabinet butt doors
A12	CSW BD	30"	38"	12 1/2"	wall cabinet butt doors
A13	CSB1DCS	42"	18"	24"	2 drawer bench cabinet center stile
A14	CSB	22 7/8"	34 1/2"	24"	base cabinet single door
A15	CSBCP	36"	34 1/2"	35"	base corner pie cut
A16	CSB	12 1/2"	34 1/2"	24"	base cabinet single door
A17	CSBFD	10 3/4"	34 1/2"	24"	Tray divider cabinet
A18	CSABS BD	36"	34 1/2"	24"	apron sink base butt doors
A19	CSB	18 1/2"	34 1/2"	24"	base double trash
A20	CSBCP	36"	34 1/2"	36"	base corner pie cut
A21	CSB	18"	34 1/2"	24"	base cabinet single door
A22	CSB2D	30"	34 1/2"	24"	2 drawer cabinet
A23	plywood	42"	3/4"	25 1/4"	bench top
A24	Crown 1524		2 11/16"	3/4"	top crown molding
A25	Slab		3 1/2"	3/4"	crown riser
A26	toekick material		4"	1/2"	toe board strips - lengths TBD by coach

Schedule B: 1 1/4" Overlay, Albany Door, Matching Drawer front, White Oak, Natural Clearcoat					
	ITEM CODE	WIDTH	HEIGHT	DEPTH	ITEM DESCRIPTION
B1	CSB4D	24"	34 1/2"	24"	base 4 drawers
B2	CSB	24"	34 1/2"	24"	base singe door
B3	CSB	24"	34 1/2"	24"	base singe door
B4	CSB	24"	34 1/2"	24"	base singe door
B5	CSB4D	24"	34 1/2"	24"	base 4 drawers
B6	CSBFD BD	30"	34 1/2"	12"	base full butt doors
B7	CSBFD BD	30"	34 1/2"	12"	base full butt doors
B8	CSBFD BD	30"	34 1/2"	12"	base full butt doors
B9	CSBFD BD	30"	34 1/2"	12"	base full butt doors
B10	plywood	34 1/2"	34 1/2"	1/4"	island side panel
B11	toekick material		4"	1/2"	toe board strips - lengths TBD by coach









Thank you for your interest in our design services! We look forward to completing this project with you!

Step 1: Review your design and compile a list of questions to discuss with your Cabinet Coach.

Some things to do/consider as you review your layout:

- Measure your space again to ensure proper room dimensions are shown on the drawing.
- Double-check your measurements for ALL window and door openings. Be sure to account for the width of trim in your window/door measurements.
- Verify your appliances. Are they placed in the proper location? Refer to the appliance specifications to ensure each appliance will fit correctly within the cabinet. Your cabinet coach can help with this!
- Which cabinet sides will be visible and therefore require a finished end?
- Do you have uneven floors or ceilings? If so, be sure to account for those differences as you determine your cabinet heights.
- Are there room obstructions? (i.e. soffits, plumbing, vents, duct work, etc.) Be sure to note them on your drawing.

Step 2: After your questions have been answered by your Cabinet Coach, please submit a numbered list of changes for updating your design/quote.

Example list of revisions:

1. Change Cabinet #4 from a B18 to a B3D18
2. Change the wall cabinet height to 36"
3. Make Cabinet #12 a Trash Pull-Out
4. Please add a 30" pantry to the right of Cabinet #2
5. Add lightrail B11

IMPORTANT: Your first set of revisions are complimentary. Subsequent revisions will be invoiced at \$80/hour. Ask your Cabinet Coach for more details.

Interested in speaking directly with a designer? We offer

*two design-consultation services: **1) 30 or 60-minute***

***Design Consultation** (Rates are \$150 for 30-minutes or \$300 for 60-minutes) and **2) Pro Design** (Fees vary, but start at \$1000 minimum; \$2000 average) Ask your Cabinet Coach for more information about these design-consultation offerings.*

Disclaimer: This design is the result of information that you, the customer, have provided to Cabinet Joint for the purpose of visualizing your cabinet layout before placing an order. It is the sole responsibility of the customer to verify all room dimensions, cabinet sizes, and appliance openings before placing that order. Any color renderings that we provide are not meant to be an exact representation of the cabinet finish on your order. Cabinet Joint will not be responsible for any perceived discrepancies between the color shown in these renderings and the actual cabinet finish you received.