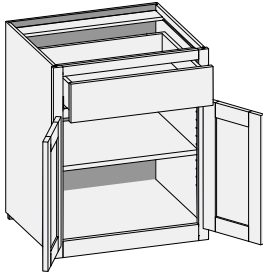


DB/CSDB - Desk Base



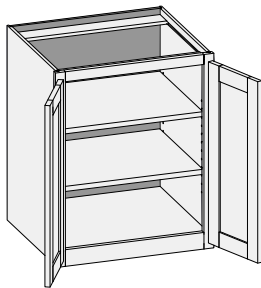
2-1/2" Bottom Rail

Custom Size Ranges
Single Door Width: 12" – 24"
Butt Door Width: 24" – 36"
Height: 29-1/2"
Depth: 18", 21", 24"

- Specify single or butt doors on custom size cabinets 24" wide.
- 2-1/2" high Flush Toe standard.
- Unavailable Options: SS, SBR, LE, TSS and NB.

Single Door Cabinets – 24" Deep		Butt Door Cabinet – 24" Deep
DB1229.5	DB2129.5	DB2429.5BD
DB1529.5	DB2429.5	
DB1829.5		

DBFD/CSDBFD - Desk Base Full Door



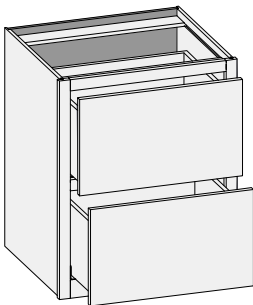
2-1/2" Bottom Rail

Custom Size Ranges
Single Door Width: 12" – 24"
Butt Door Width: 24" – 36"
Height: 29-1/2"
Depth: 18" – 30"

- Specify single or butt doors on custom size cabinets 24" wide.
- 2-1/2" high Flush Toe standard.
- Unavailable Options: SS, SBR, LE, TSS and NB.

Single Door Cabinets – 24" Deep		Butt Door Cabinet – 24" Deep
DBFD1229.5	DBFD2129.5	DBFD2429.5BD
DBFD1529.5	DBFD2429.5	
DBFD1829.5		

DB2D/CSDB2D - Desk Base Two Drawers



2-1/2" Bottom Rail

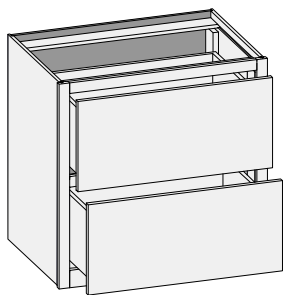
Custom Size Ranges
Width: 12" – 36"
Height: 29-1/2"
Depth: 18", 21", 24"

- Both drawers designed to accommodate Pendaflex files.
- 15" width Pendaflex files must be installed front to back.
- 2-1/2" high Flush Toe standard.
- Unavailable Options: SS, SBR, LE, TSS and NB.

24" Deep	
DB2D1529.5	DB2D2129.5
DB2D1829.5	

Options Key: EXP = Exposed End(s) FL = Flush End(s) FUE = Flush Unexposed End(s) SS = Shaped Side PFD = Prep for False Door
EXT = Extended Stile(s) FT = Flush Toe SBR = Shaped Bottom Rail LE = Leg Extension TSS = Toe Space Side OS = Omit Shelving
NSH = No Shelf Holes WS = Solid Wood Shelves MI = Matching Interior DT = Dust Top NB = Natural Finished Bottom
PTB = Plywood Toe Backer

LF2D/CSLF2D - Lateral File Two Drawer



2-1/2" Bottom Rail

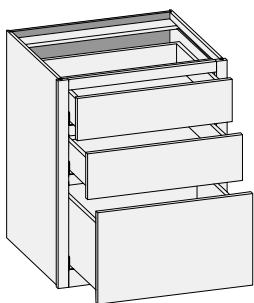
Custom Size Ranges
Width: 30" – 36"
Height: 29-1/2"
Depth: 21"

- Full extension interlocking drawer slides only.
- 2-1/2" high Flush Toe standard.
- Unavailable Options: SS, SBR, LE and TSS.

21" Deep

LF2D3029.5	LF2D3629.5
------------	------------

DB3D/CSDB3D - Desk Base Three Drawers



2-1/2" Bottom Rail

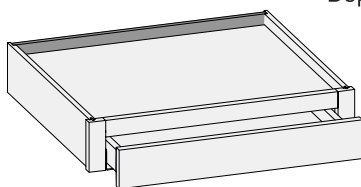
Custom Size Ranges
Width: 12" – 36"
Height: 29-1/2"
Depth: 18", 21", 24"

- Bottom drawer designed to accommodate Pendaflex files.
- 15" width Pendaflex files must be installed front to back.
- 2-1/2" high Flush Toe standard.
- Unavailable Options: SS, SBR, LE and TSS.

24" Deep

DB3D1529.5	DB3D2129.5
DB3D1829.5	DB3D2429.5

DD/CSDD - Desk Drawer



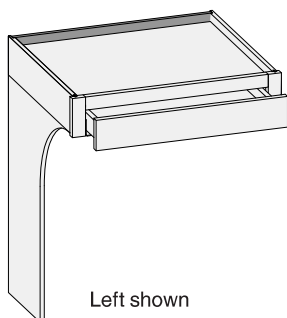
Custom Size Ranges
Width: 12" – 36"
Height: 4-1/2"
Depth: 18", 21", 24"

- No bottom or bottom rail.
- Unavailable Options: SS, PFD and LE.

24" Deep

DD184.5	DD304.5
DD214.5	DD334.5
DD244.5	DD364.5
DD274.5	

DDSL (R)/CSDDSL (R) - Desk Drawer Support Left (or Right)



Left shown

Custom Size Ranges
Height: 29-1/2" – 42"
Depth: 18", 21", 24"

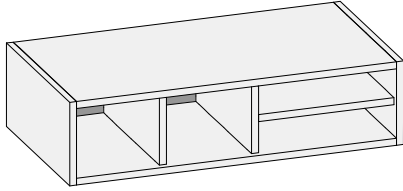
- Support leg only.
- Replaces left or right side of desk drawer.
- Bottom can be trimmed to custom height.
- Exposed edge is banded with matching specie veneer.
- Unavailable Options: SS, PFD, EXT and LE.

24" Deep

DDSL2134.5	DDSR2134.5
DDSL2434.5	DDSR2434.5

Options Key: EXP = Exposed End(s) FL = Flush End(s) FUE = Flush Unexposed End(s) SS = Shaped Side PFD = Prep for False Door
EXT = Extended Stile(s) FT = Flush Toe SBR = Shaped Bottom Rail LE = Leg Extension TSS = Toe Space Side OS = Omit Shelving
NSH = No Shelf Holes WS = Solid Wood Shelves MI = Matching Interior DT = Dust Top NB = Natural Finished Bottom
PTB = Plywood Toe Backer

LFS/CSLFS - Letter File Slot

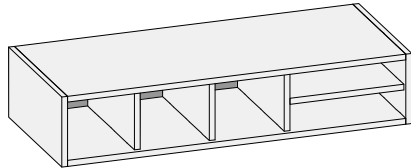


Custom Size Ranges
Width: 24" – 29-15/16"
Height: 6"
Depth: 12-1/2"

- 1/2" matching specie doweled plywood construction.
- Recessed back design for custom depth modification.
- Exposed edges are banded with matching specie veneer.
- When width changes, vertical openings change.
- No options available.

12-1/2" Deep	
LFS246	LFS276

LFS/CSLFS - Letter File Slot

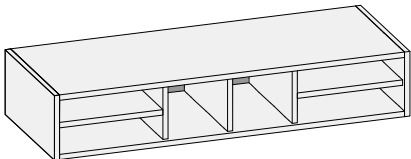


Custom Size Ranges
Width: 30" – 32-15/16"
Height: 6"
Depth: 12-1/2"

- 1/2" matching specie doweled plywood construction.
- Recessed back design for custom depth modification.
- Exposed edges are banded with matching specie veneer.
- When width changes, vertical openings change.
- No options available.

12-1/2" Deep	
LFS306	

LFS/CSLFS - Letter File Slot

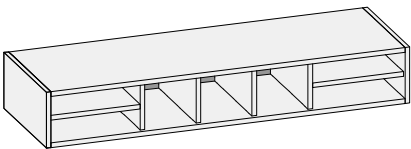


Custom Size Ranges
Width: 33" – 38-15/16"
Height: 6"
Depth: 12-1/2"

- 1/2" matching specie doweled plywood construction.
- Recessed back design for custom depth modification.
- Exposed edges are banded with matching specie veneer.
- When width changes, vertical openings change.
- No options available.

12-1/2" Deep	
LFS336	LFS366

LFS/CSLFS - Letter File Slot



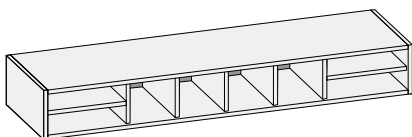
Custom Size Ranges
Width: 39" – 44-15/16"
Height: 6"
Depth: 12-1/2"

- 1/2" matching specie doweled plywood construction.
- Recessed back design for custom depth modification.
- Exposed edges are banded with matching specie veneer.
- When width changes vertical, openings change.
- No options available.

12-1/2" Deep	
LFS396	LFS426

Options Key: EXP = Exposed End(s) FL = Flush End(s) FUE = Flush Unexposed End(s) SS = Shaped Side PFD = Prep for False Door
 EXT = Extended Stile(s) FT = Flush Toe SBR = Shaped Bottom Rail LE = Leg Extension TSS = Toe Space Side OS = Omit Shelving
 NSH = No Shelf Holes WS = Solid Wood Shelves MI = Matching Interior DT = Dust Top NB = Natural Finished Bottom
 PTB = Plywood Toe Backer

LFS/CSLFS - Letter File Slot

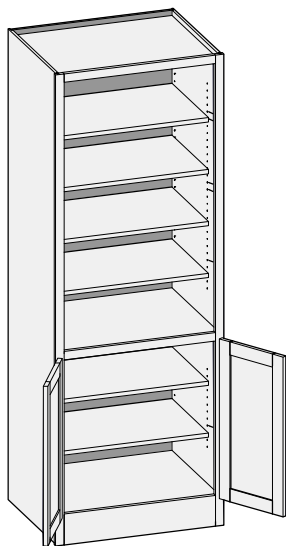


Custom Size Ranges
 Width: 45" – 48"
 Height: 6"
 Depth: 12-1/2"

- 1/2" matching specie doweled plywood construction.
- Recessed back design for custom depth modification.
- Exposed edges are banded with matching specie veneer.
- When width changes, vertical openings change.
- No options available.

12-1/2" Deep	
LFS456	LFS486

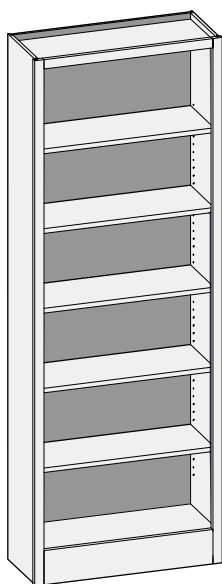
ORC/CSORC - Other Room Cabinet



Custom Size Ranges
 Single Door Width: 12" – 24"
 Butt Door Width: 24" – 36"
 Height: 84" – 120"
 Depth: 5-1/2" – 30"

- 5-1/2" Flush Toe standard.
- Matching specie interior is not available over 96" high. White Birch UV topcoated material will be used.
- Doors on top section are optional and must be specified.
- Lower section aligns with 34-1/2" high base cabinets.
- When height changes, upper opening height changes. Lower opening height fixed at 27-1/2".
- 84" – 90" high has six shelves.
- 90-1/16" – 96" high has seven shelves.
- 96-1/16" – 108" high has eight shelves.
- 108-1/16" – 120" high has nine shelves.
- Specify single or butt doors on custom size cabinets 24" wide.
- Unavailable options: SS, SBR and TSS.

ORS/CSORS - Other Room Shelf

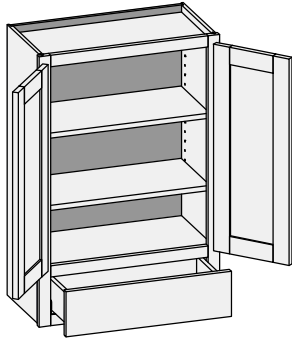


Custom Size Ranges
 Width: 12" – 36"
 Height: 84" – 120"
 Depth: 5-1/2" – 30"

- 5-1/2" Flush Toe standard.
- Matching specie interior is not available over 96" high. White Birch UV topcoated material will be used.
- 84" – 90" high has six shelves.
- 90-1/16" – 96" high has seven shelves.
- 96-1/16" – 108" high has eight shelves.
- 108-1/16" – 120" high has nine shelves.
- Unavailable options: SS, SBR and TSS.

Options Key: EXP = Exposed End(s) FL = Flush End(s) FUE = Flush Unexposed End(s) SS = Shaped Side PFD = Prep for False Door
 EXT = Extended Stile(s) FT = Flush Toe SBR = Shaped Bottom Rail LE = Leg Extension TSS = Toe Space Side OS = Omit Shelving
 NSH = No Shelf Holes WS = Solid Wood Shelves MI = Matching Interior DT = Dust Top NB = Natural Finished Bottom
 PTB = Plywood Toe Backer

W1D/CSW1D - Wall One Drawer

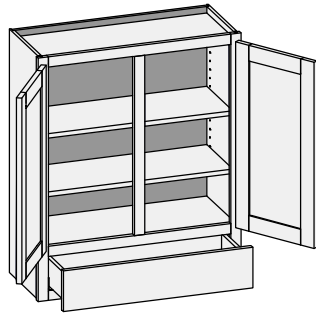


Custom Size Ranges
Single Door Width: 12" – 24"
Butt Door Width: 24" – 36"
Height: 30" – 72"
Depth: 12", 12-1/2",
15", 18", 21", 24"

- When height changes, upper opening height changes. Lower opening height fixed at 5".
- 30" – 35-15/16" high has one shelf.
- 36" – 47-15/16" high has two shelves.
- 48" – 59-15/16" high has three shelves.
- 60" – 72" high has four shelves.
- Specify single or butt doors on custom size cabinets 24" wide.
- Unavailable options: PFD, SS, FT, SBR, LE, TSS, DT.

Single Door Cabinets – 12-1/2" Deep			Butt Door Cabinets – 12-1/2" Deep		
53" High	59" High	65" High	53" High	59" High	65" High
W1D1553	W1D1559	W1D1565	W1D2453BD	W1D2459BD	W1D2465BD
W1D1853	W1D1859	W1D1865	W1D2753BD	W1D2759BD	W1D2765BD
W1D2153	W1D2159	W1D2165	W1D3053BD	W1D3059BD	W1D3065BD
W1D2453	W1D2459	W1D2465	W1D3353BD	W1D3359BD	W1D3365BD
			W1D3653BD	W1D3659BD	W1D3665BD

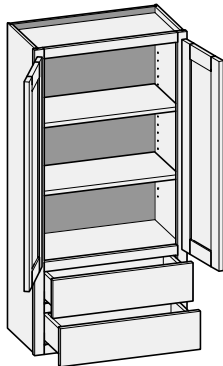
CSW1DCS - Wall One Drawer w/Center Stile



Custom Size Ranges
Width: 27" – 36"
Height: 30" – 72"
Depth: 12", 12-1/2",
15", 18", 21", 24"

- When height changes, upper opening height changes. Lower opening height fixed at 5".
- 30" – 35-15/16" high has one shelf.
- 36" – 47-15/16" high has two shelves.
- 48" – 59-15/16" high has three shelves.
- 60" – 72" high has four shelves.
- Specify single or butt doors on custom size cabinets 24" wide.
- Unavailable options: PFD, SS, FT, SBR, LE, TSS, DT.

W2D/CSW2D - Wall Two Drawer



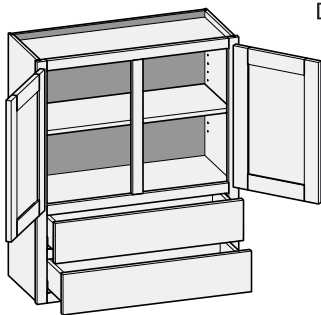
Custom Size Ranges
Single Door Width: 12" – 24"
Butt Door Width: 24" – 36"
Height: 30" – 72"
Depth: 12", 12-1/2",
15", 18", 21", 24"

- When height changes, upper opening height changes. Lower opening heights fixed at 5".
- 30" – 41-15/16" high has one shelf.
- 42" – 47-15/16" high has two shelves.
- 48" – 59-15/16" high has three shelves.
- 60" – 72" high has four shelves.
- Specify single or butt doors on custom size cabinets 24" wide.
- Unavailable options: PFD, SS, FT, SBR, LE, TSS, DT.

Single Door Cabinets – 12-1/2" Deep			Butt Door Cabinets – 12-1/2" Deep		
53" High	59" High	65" High	53" High	59" High	65" High
W2D1553	W2D1559	W2D1565	W2D2453BD	W2D2459BD	W2D2465BD
W2D1853	W2D1859	W2D1865	W2D2753BD	W2D2759BD	W2D2765BD
W2D2153	W2D2159	W2D2165	W2D3053BD	W2D3059BD	W2D3065BD
W2D2453	W2D2459	W2D2465	W2D3353BD	W2D3359BD	W2D3365BD
			W2D3653BD	W2D3659BD	W2D3665BD

Options Key: EXP = Exposed End(s) FL = Flush End(s) FUE = Flush Unexposed End(s) SS = Shaped Side PFD = Prep for False Door
EXT = Extended Stile(s) FT = Flush Toe SBR = Shaped Bottom Rail LE = Leg Extension TSS = Toe Space Side OS = Omit Shelving
NSH = No Shelf Holes WS = Solid Wood Shelves MI = Matching Interior DT = Dust Top NB = Natural Finished Bottom
PTB = Plywood Toe Backer

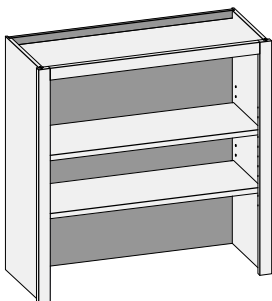
CSW2DCS - Wall Two Drawer w/Center Stile



Custom Size Ranges
 Width: 27" – 36"
 Height: 30" – 72"
 Depth: 12", 12-1/2",
 15", 18", 21", 24"

- When height changes, upper opening height changes. Lower opening heights fixed at 5".
- 30" – 41-15/16" high has one shelf.
- 42" – 47-15/16" high has two shelves.
- 48" – 59-15/16" high has three shelves.
- 60" – 72" high has four shelves.
- Specify single or butt doors on custom size cabinets 24" wide.
- Unavailable options: PFD, SS, EXT, FT, SBR, LE, TSS, DT.

WOBS/CSWOBS - Wall Open Bookshelf

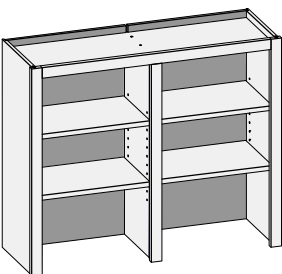


Custom Size Ranges
 Width: 15" – 36"
 Height: 30" – 72"
 Depth: 5-1/2" – 27"

- Solid wood shelves not available with matching specie interior option.
- 30" – 35-15/16" high has one shelf.
- 36" – 47-15/16" high has two shelves.
- 48" – 59-15/16" high has three shelves.
- 60" – 72" high has four shelves.

12-1/2" Deep		
53" High	59" High	65" High
WOBS1553	WOBS1559	WOBS1565
WOBS1853	WOBS1859	WOBS1865
WOBS2153	WOBS2159	WOBS2165
WOBS2453	WOBS2459	WOBS2465
WOBS2753	WOBS2759	WOBS2765
WOBS3053	WOBS3059	WOBS3065
WOBS3353	WOBS3359	WOBS3365
WOBS3653	WOBS3659	WOBS3665

WOBSCS/CSWOBSCS - Wall Open Bookshelf w/Center Stile

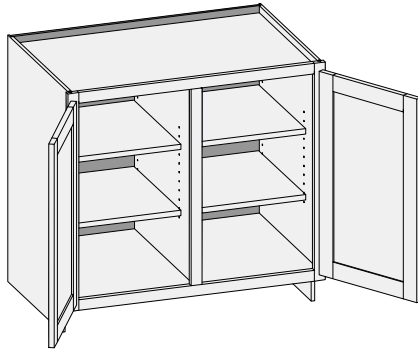


Custom Size Ranges
 Width: 15" – 36"
 Height: 30" – 72"
 Depth: 5-1/2" – 27"

- Fixed vertical partition with independently adjustable shelves.
- Solid wood shelves not available with matching specie interior option.
- 30" – 35-15/16" high has two shelves.
- 36" – 47-15/16" high has four shelves.
- 48" – 59-1/16" high has six shelves.
- 60" – 72" high has eight shelves.

Options Key: EXP = Exposed End(s) FL = Flush End(s) FUE = Flush Unexposed End(s) SS = Shaped Side PFD = Prep for False Door
 EXT = Extended Stile(s) FT = Flush Toe SBR = Shaped Bottom Rail LE = Leg Extension TSS = Toe Space Side OS = Omit Shelving
 NSH = No Shelf Holes WS = Solid Wood Shelves MI = Matching Interior DT = Dust Top NB = Natural Finished Bottom
 PTB = Plywood Toe Backer

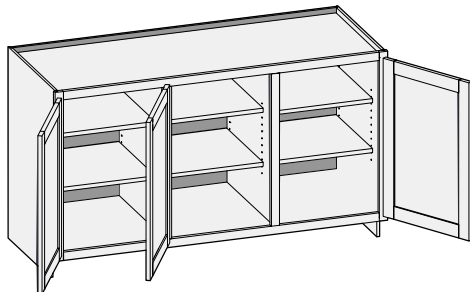
MC2FD/CSMC2FD - Media Center Two Full Doors



Custom Size Ranges
 Width: 30" – 48"
 Height: 10" – 48"
 Depth: 5-1/2" – 30"

- Fixed vertical partition with independently adjustable shelves.
- 10" – 22" high has no shelves.
- 22-1/16" – 28" high has one shelf.
- 28-1/16" – 40" high has two shelves.
- 40-1/16" – 48" high has three shelves.
- Unavailable options: PFD and TSS.

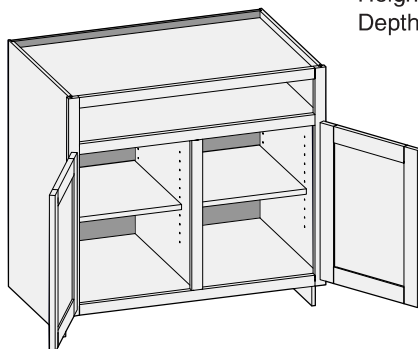
MC3FD/CSMC3FD - Media Center Three Full Doors



Custom Size Ranges
 Width: 48" – 72"
 Height: 10" – 48"
 Depth: 5-1/2" – 30"

- Fixed vertical partitions with independently adjustable shelves.
- Doors hinged on center style require 1/2" overlay hinges for 1-1/4" and 1-3/8" overlays.
- 10" – 22" high has no shelves.
- 22-1/16" – 28" high has one shelf.
- 28-1/16" – 40" high has two shelves.
- 40-1/16" – 48" high has three shelves.
- Unavailable options: PFD and TSS.

MC2D/CSMC2D - Media Center Two Door



Custom Size Ranges
 Width: 30" – 48"
 Height: 31-1/2" – 42"
 Depth: 5-1/2" – 30"

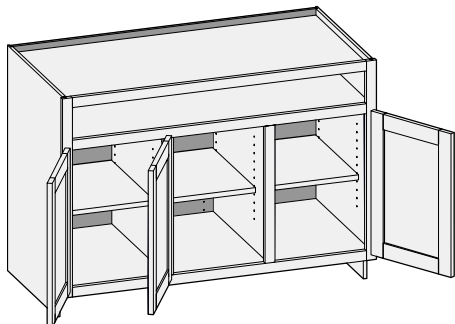
- Fixed vertical partition with independently adjustable shelves.
- When height changes, lower opening height changes. Upper opening height fixed at 5".
- Unavailable options: PFD and TSS.

Options Key: EXP = Exposed End(s) FL = Flush End(s) FUE = Flush Unexposed End(s) SS = Shaped Side PFD = Prep for False Door
 EXT = Extended Stile(s) FT = Flush Toe SBR = Shaped Bottom Rail LE = Leg Extension TSS = Toe Space Side OS = Omit Shelving
 NSH = No Shelf Holes WS = Solid Wood Shelves MI = Matching Interior DT = Dust Top NB = Natural Finished Bottom
 PTB = Plywood Toe Backer

MC3D/CSMC3D - Media Center Three Door

Custom Size Ranges
 Width: 48" – 72"
 Height: 31-1/2" – 42"
 Depth: 5-1/2" – 30"

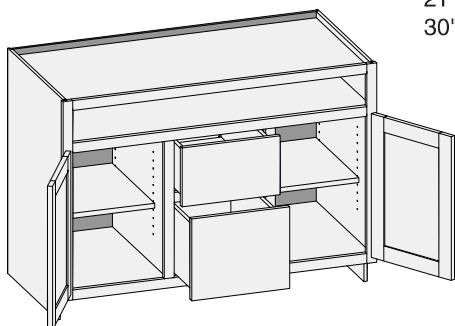
- Fixed vertical partitions with independently adjustable shelves.
- When height changes, lower opening height changes. Upper opening height fixed at 5".
- Doors hinged on center style require 1/2" overlay hinges for 1-1/4" and 1-3/8" overlays.
- Unavailable options: PFD and TSS.



MC2D2D/CSMC2D2D - Media Center Two Door Two Drawer

Custom Size Ranges
 Width: 48" – 72"
 Height: 31-1/2" – 42"
 Depth: 12", 15", 18",
 21", 24", 27",
 30"

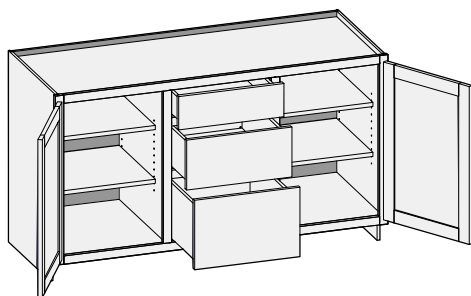
- Fixed vertical partitions with independently adjustable shelves.
- When height changes, lower opening height changes. Upper opening height fixed at 5". Middle opening height fixed at 8".
- Unavailable options: PFD and TSS.



MC2D3D/CSMC2D3D - Media Center Two Door Three Drawer

Custom Size Ranges
 Width: 48" – 72"
 Height: 31-1/2" – 34-1/2"
 Depth: 12", 15", 18",
 21", 24", 27", 30"

- Fixed vertical partitions with independently adjustable shelves.
- When height changes, lower opening height changes. Upper opening height fixed at 5". Middle opening height fixed at 8".
- Unavailable options: PFD and TSS.



Options Key: EXP = Exposed End(s) FL = Flush End(s) FUE = Flush Unexposed End(s) SS = Shaped Side PFD = Prep for False Door
 EXT = Extended Stile(s) FT = Flush Toe SBR = Shaped Bottom Rail LE = Leg Extension TSS = Toe Space Side OS = Omit Shelving
 NSH = No Shelf Holes WS = Solid Wood Shelves MI = Matching Interior DT = Dust Top NB = Natural Finished Bottom
 PTB = Plywood Toe Backer