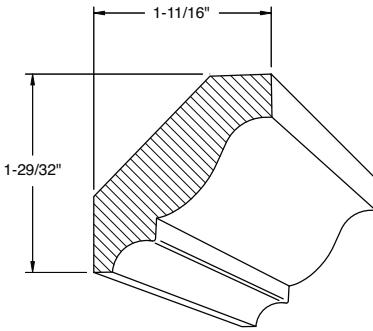
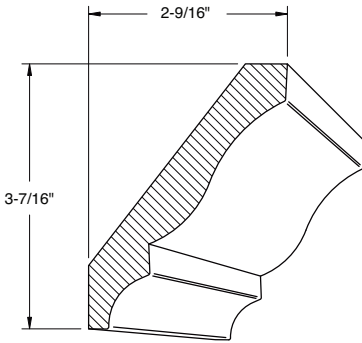


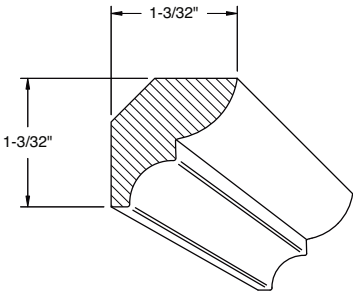
### Crown Mouldings



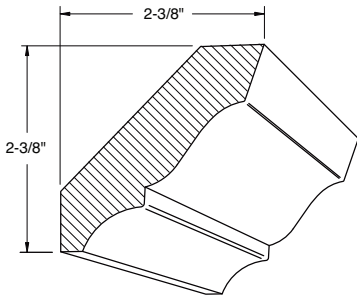
**Crown 6**



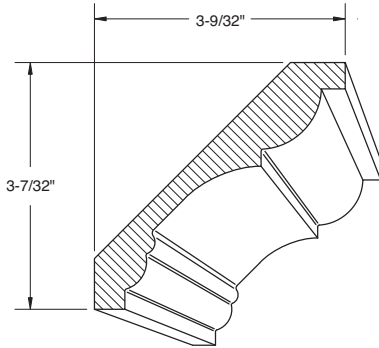
**Crown 24**



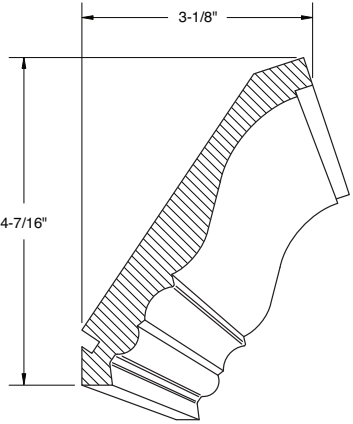
**Crown 33**



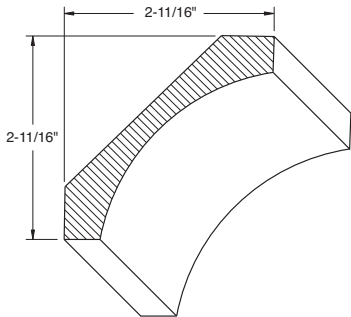
**Crown 619**



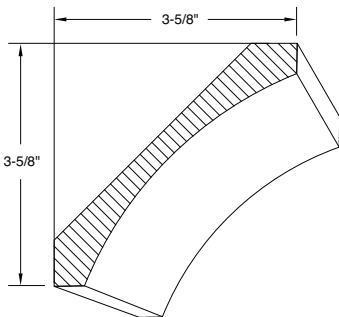
**Crown 1238**



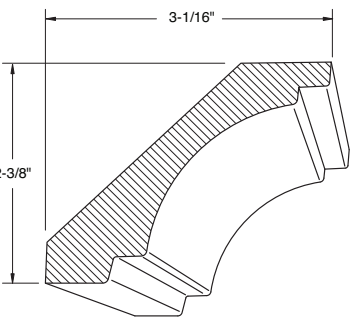
**Crown 1550\***



**Large Cove 1524**



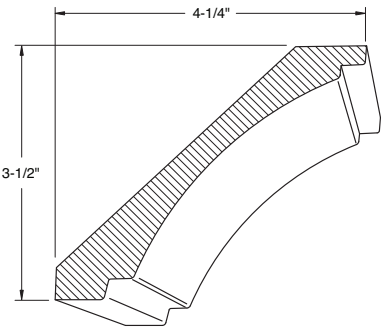
**Large Cove 2618**



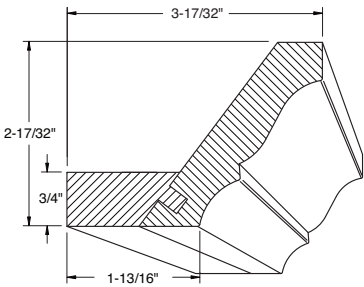
**Crown 2324**

\* Crown moulding 1550 will accommodate Mounting Plate 384.  
Note: Drawings not to scale.

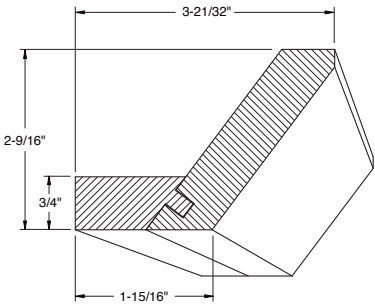
Crown Mouldings (continued)



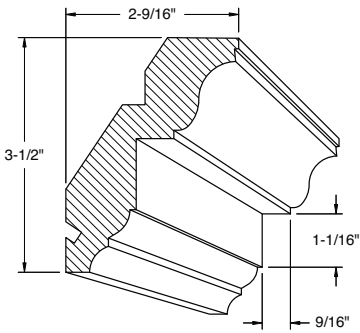
Crown 2325



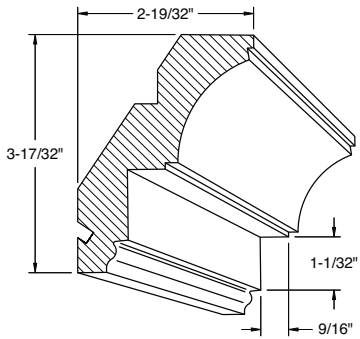
Crown 801\*  
w/mounting plate



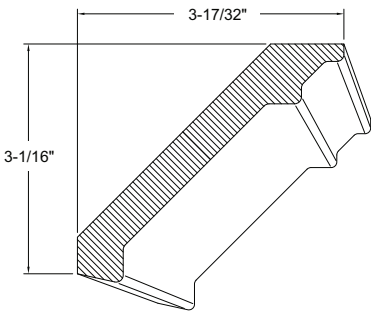
Shaker Crown 1126\*  
w/mounting plate



Crown 342\*\*



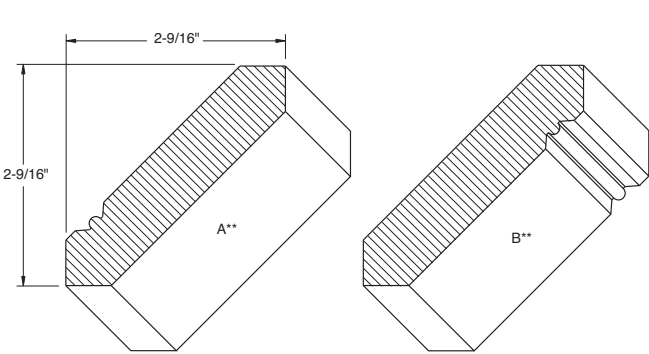
Crown 343\*\*



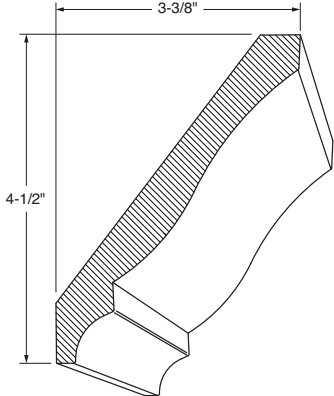
Crown 2777

\* Crown 801 and Shaker Crown 1126 will be manufactured with a Paint Grade Hard Maple mounting plate, additional species available through Special Designs.  
 \*\* Crown mouldings 342 and 343 will accommodate mounting plate 384 and 3/4" Rope, 7/8" Dentil and 1" Egg & Dart.  
 Note: Drawings not to scale.

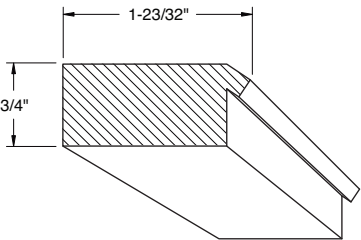
**Crown Mouldings (continued)**



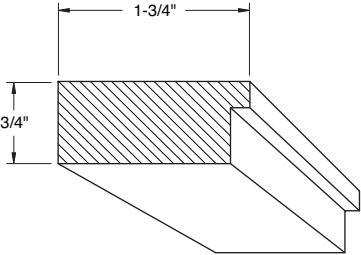
**Reverse Shaker Crown 1529 †**



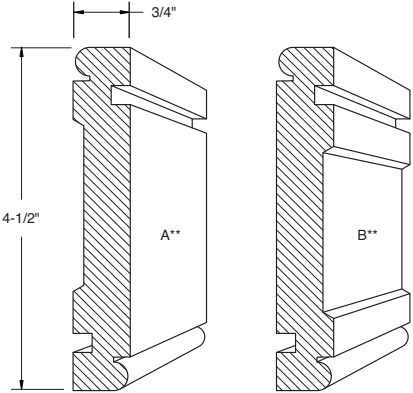
**Crown 2584**



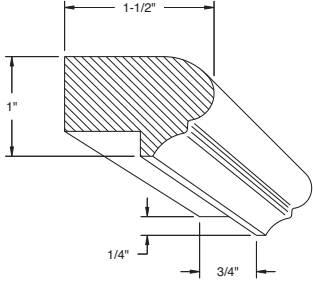
**Crown Mounting Plate 384**



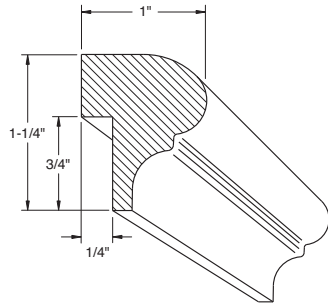
**Frieze Mounting Plate 470**



**Reversible Frieze 345\*\***



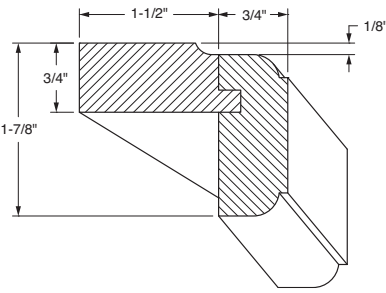
**Light Rail B11**



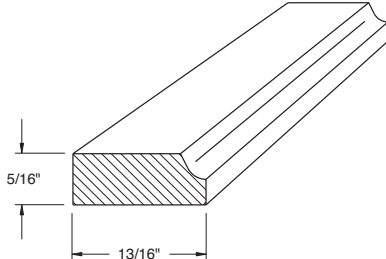
**Light Rail 361**

\* Reversible Frieze 345 will accommodate Mounting Plate 470.  
 † When ordering dual side profile product, specify "Face side A" or "Face side B". When ordering prefinished product, specify "Finish side A" or "Finish side B".  
 Note: Drawings not to scale.

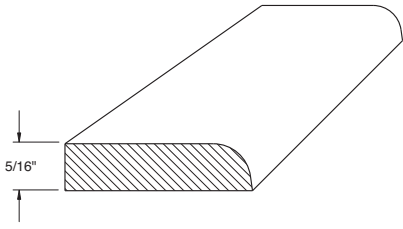
Trim and Accent Mouldings



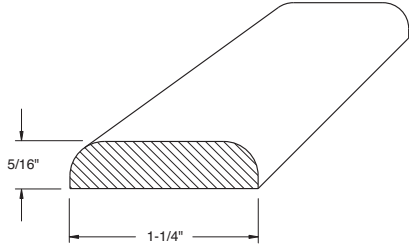
Light Rail 2380\*  
w/mounting plate



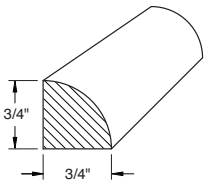
Scribe 1809



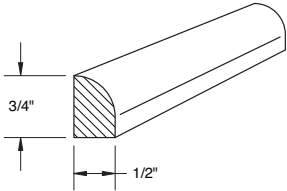
Scribe 14 (1-1/4" wide)  
Scribe 2316 (5/8" wide)  
Scribe 2317 (4" wide)



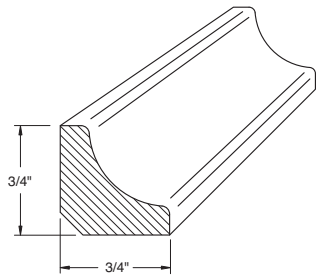
Batten 13



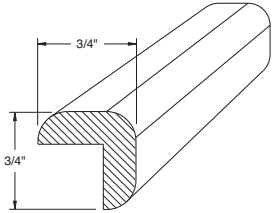
Quarter Round 1329



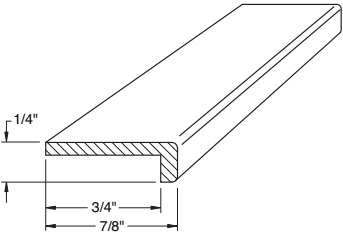
Shoe Moulding 583



Inside Corner Cove 11



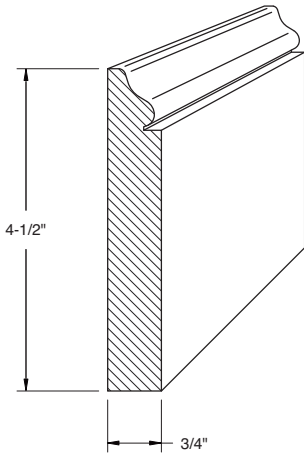
Outside Corner 12



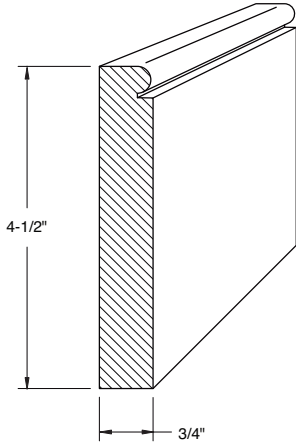
Refacer's Moulding 2322

\* Light Rail 2380 is manufactured with matching specie mounting plate. Option to choose edge profile to be applied to top and bottom.  
All published edge profiles available except B, C, FP, L-034, L-253, L-304 and L-686.  
Note: Drawings not to scale.

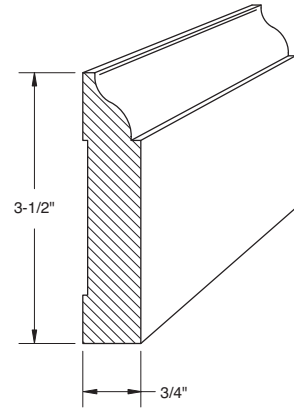
Trim and Accent Mouldings (continued)



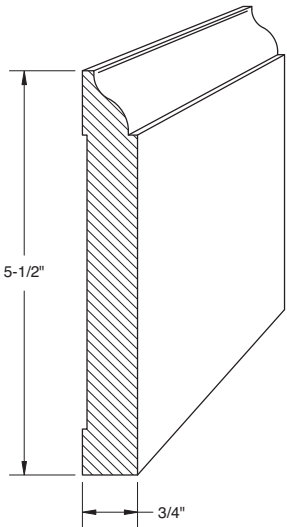
Colonial Base 10



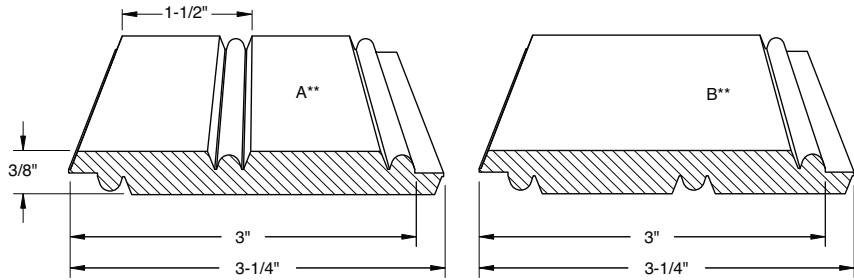
Beaded Base 381



Base Moulding 897



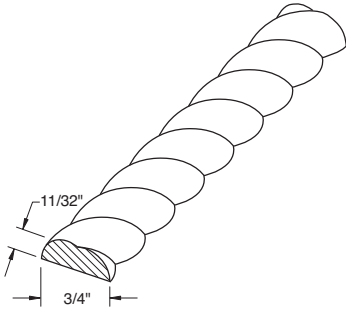
Base Moulding 898



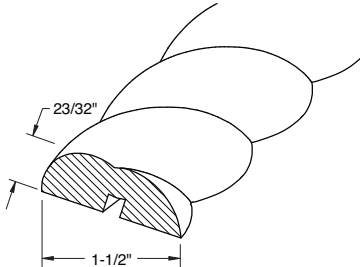
Beaded Panel B09\*

\* When ordering dual side profile product, specify "Face side A" or "Face side B". When ordering prefinished product, specify "Finish side A" or "Finish side B."  
Note: Drawings not to scale.

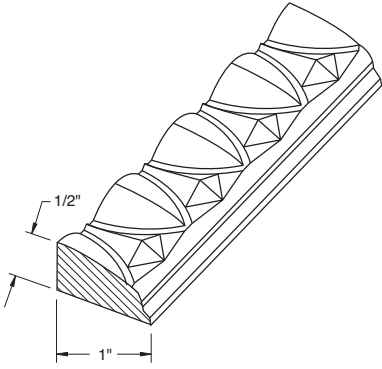
Trim and Accent Mouldings (continued)



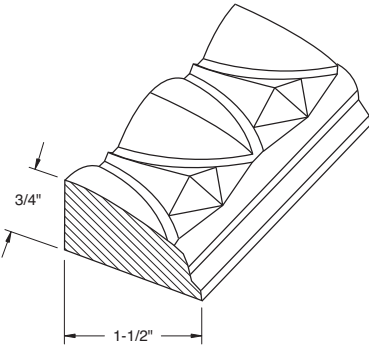
3/4" Rope



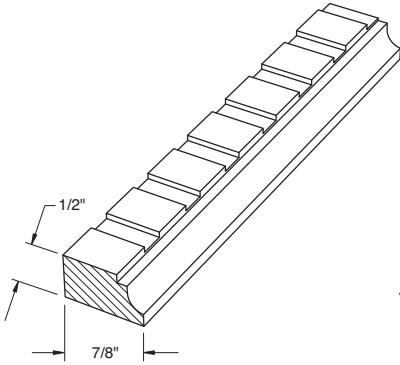
1-1/2" Rope



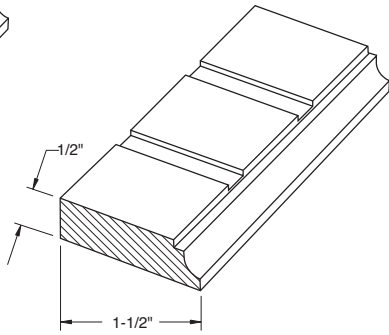
1" Egg & Dart



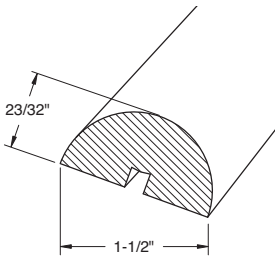
1-1/2" Egg & Dart



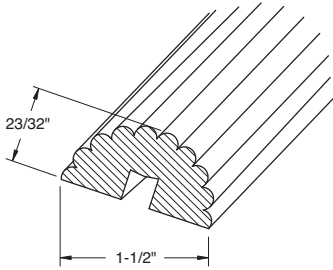
7/8" Dentil



1-1/2" Dentil



1-1/2" Plain



1-1/2" Reeded

Note: Drawings not to scale.