




**Edge Profiles**

 <b>B</b> 3/4" only Rabbet: 7/16" deep 3/8" high	 <b>B-2*<sup>+</sup></b> 3/4" and 1" Available w/MDF	 <b>C</b> 3/4" only Rabbet: 7/16" deep 3/8" high	 <b>C-2<sup>+</sup></b> 3/4" and 1" Available w/MDF	 <b>CFP-2*<sup>+</sup></b> 3/4" and 1"
 <b>E-2<sup>+</sup></b> 3/4" and 1"	 <b>FP</b> 3/4" only	 <b>H-2*<sup>+</sup></b> 3/4" and 1" Available w/MDF	 <b>J-2<sup>+</sup></b> 3/4" and 1"	 <b>L-034*</b> 3/4" and 1" Available w/MDF
 <b>L-059*<sup>+</sup></b> 3/4" and 1" Available w/MDF	 <b>L-120<sup>+</sup></b> 3/4" and 1"	 <b>L-149*<sup>+</sup></b> 3/4" and 1" Available w/MDF	 <b>L-253</b> 3/4" and 1" 5° back bevel Available w/MDF	 <b>L-281*<sup>+</sup></b> 3/4" and 1"
 <b>L-382*<sup>+</sup></b> 3/4" and 1" Available w/MDF	 <b>L-686</b> 3/4" and 1" 5° back bevel Available w/MDF	 <b>L-772*<sup>+</sup></b> 3/4" and 1"	 <b>L-803*<sup>+</sup></b> 3/4" and 1" Available w/MDF	 <b>L-1160*<sup>+</sup></b> 3/4" and 1" Available w/MDF
 <b>LC-2*<sup>+</sup></b> 3/4" and 1" Available w/MDF	 <b>Machine Edge**</b> 3/4" and 1" Available w/MDF	 <b>PRS-2*<sup>+</sup></b> 3/4" and 1" Available w/MDF	 <b>RC-2*<sup>+</sup></b> 3/4" and 1"	 <b>V-2*<sup>+</sup></b> 3/4" and 1" Available w/MDF

**Premium Edge Profiles**

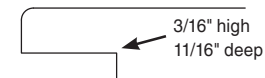
additional charge per door.  
 These three profiles require 2 additional working days.

 <b>L-297*</b> 3/4" and 1"	 <b>L-304</b> 3/4" and 1" 5° back bevel	 <b>LC-Inset*</b> 3/4" and 1"
---	---	--

\* Drilling for concealed hinges is available on doors with these profiles.  
 + FEP Option available.  
 Images shown are not to scale.

**FEP Rabbet Option**

additional charge per door. No additional lead-time.

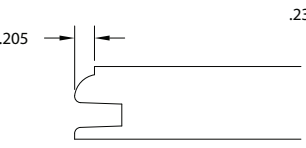
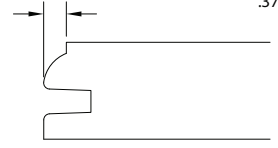
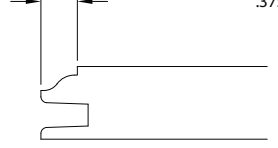

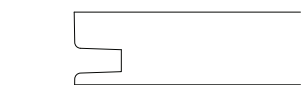


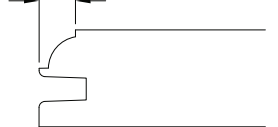
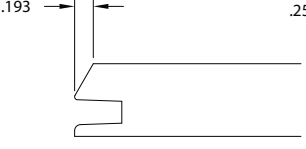
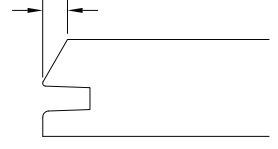
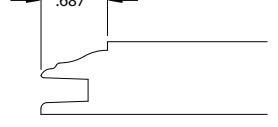
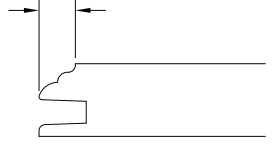


L-149 edge with FEP rabbet option

- Designed for use as a "finished end panel" to be used with Conestoga Cabinet Systems.
- All profiles marked with a + indicate FEP rabbet option is available.
- Available on 3/4" designs only.

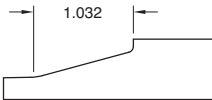
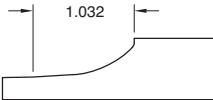
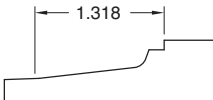
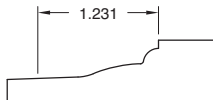
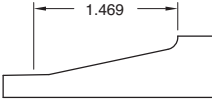
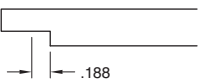
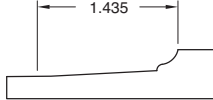
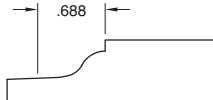
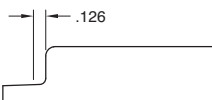
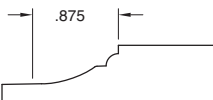
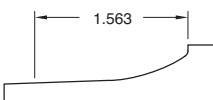
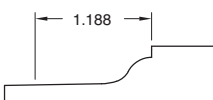

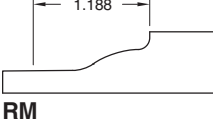
Not all framing beads are available with all door designs – See Options and Availability pages. Design Charges include choice of published framing bead and panel raise.

### Framing Beads

 <p><b>Regular</b> 3/4"</p>	 <p><b>Regular</b> 1"</p>	 <p><b>Ogee</b> 3/4"</p>	 <p><b>Ogee</b> 1"</p>
 <p><b>Square</b> 3/4"</p>	 <p><b>Square</b> 1"</p>	 <p><b>F-007</b> 3/4"</p>	 <p><b>F-007</b> 1"</p>
 <p><b>F-1223</b> 3/4"</p>	 <p><b>F-1223</b> 1"</p>	 <p><b>Elite</b> 3/4" only</p>	 <p><b>F-877</b> 3/4" only</p>

Not all panel raises are available with all door designs – See Options and Availability pages. Design Charges include choice of published framing bead and panel raise.

**Panel Raises** (dimensions shown are for 3/4" thick products only)

 <p><b>Slant</b> 3/4" and 1"</p>	 <p><b>G-Cove</b> 3/4" and 1"</p>	 <p><b>Louis XIII</b> 3/4" only</p>	 <p><b>M-Bead</b> 3/4" and 1"</p>
 <p><b>P-008</b> 3/4" and 1"</p>	 <p><b>P-057</b> 3/4" and 1"</p>	 <p><b>P-106</b> 3/4" only</p>	 <p><b>P-125</b> 3/4" only</p>
 <p><b>P-225*</b> 3/4" only</p>	 <p><b>P-420</b> 3/4" only</p>	 <p><b>P-602</b> 3/4" only</p>	 <p><b>Presidential</b> 3/4" only</p>
 <p><b>Reverse G-Cove</b> 3/4" and 1"</p>	 <p><b>RM</b> 3/4" and 1"</p>		

\*P-225 raise not available when Colourtones, primers or Prism Paints are ordered.

All published 3/4" and 1" raises are available in hybrid products. Hybrid products consist of MDF panel and solid wood framing. 3/4" thick doors measure 5/8" finished panel thickness except Reverse G-Cove and P-057 which measure 3/8" thick and P-106 which measures 1/2" thick.

1" thick doors measure 3/4" finished panel thickness except Reverse G-Cove and P-057 which measures 1/2" thick.

Images shown are not to scale.