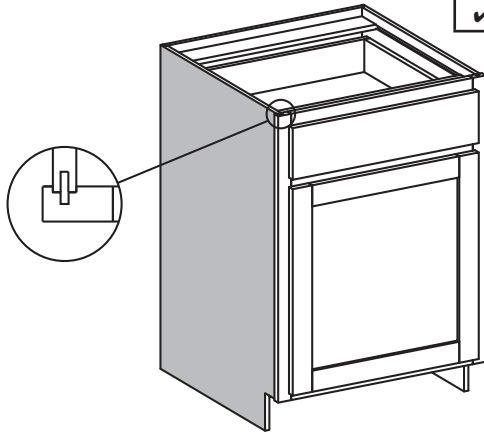


**Exposed Ends (EXP)**

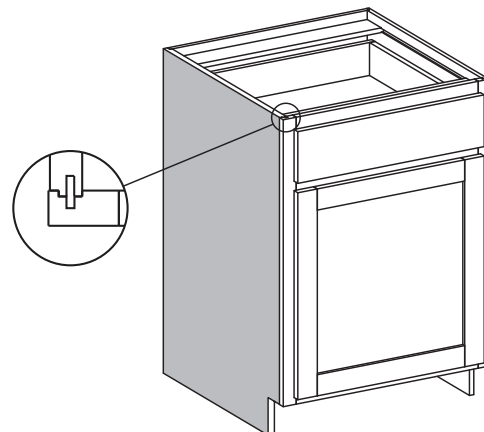
EXP	FL	FUE	SS	PFD	EXT	FT	SBR	LE	TSS	OS	NSH	WS	MI	DT	NB
✓															



- Matching specie veneer on 1/2" thick cabinet sides.
- Specify: "L" (Left), "R" (Right) or "B" (Both).
- 1/4" reveal from edge of front frame to surface of the side.
- Hard Maple and Soft Maple cabinets have Hard Maple exposed ends.
- 1/2" thick Exposed End Option not available with Colourtones, primers or Prism Paints. If primed or painted finishes are desired, cabinets must be ordered with Flush End Option.
- Use Conestoga's online ordering system, Con-Nex or Conestoga order entry for pricing.

**Flush Ends (FL)**

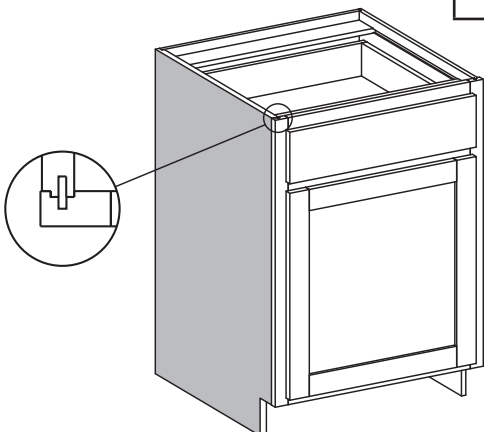
EXP	FL	FUE	SS	PFD	EXT	FT	SBR	LE	TSS	OS	NSH	WS	MI	DT	NB
	✓														



- Matching specie veneer on exposed of 3/4" thick cabinet sides.
- Specify: "L" (Left), "R" (Right) or "B" (Both).
- 1/32" reveal from edge of front frame to surface of the side.
- Hard Maple and Soft Maple cabinets have Hard Maple flush ends.
- Use Conestoga's online ordering system, Con-Nex or Conestoga order entry for pricing.
- All cabinets ordered with Colourtone, primer or Prism Paints will use a hybrid side panel.
  - ♦ Hybrid plywood side panels with Flush Ends have a paintable paper coated MDF exterior and UV coated Natural Birch interior.
  - ♦ Hybrid plywood side panels on cabinets with both Flush Ends and Matching Interior will have a paintable MDF surface on both sides.

**Flush Unexposed Ends (FUE)**

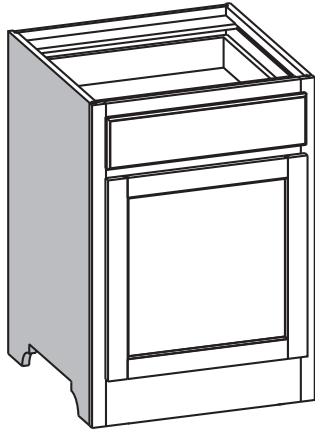
EXP	FL	FUE	SS	PFD	EXT	FT	SBR	LE	TSS	OS	NSH	WS	MI	DT	NB
		✓													



- Shop grade veneer on exterior face of 3/4" thick cabinet sides – finishing is not available.
- Order when thicker, non-exposed sides are required for solid surface and stone counter tops.
- Matching interior not available.
- Specify: "L" (Left), "R" (Right) or "B" (Both).
- 1/32" reveal from edge of front frame to surface of the side.
- Use Conestoga's online ordering system, Con-Nex or Conestoga order entry for pricing.

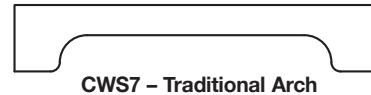
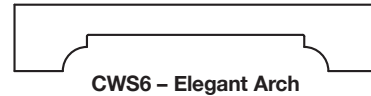
**Options Key:** EXP = Exposed End(s) FL = Flush End(s) FUE = Flush Unexposed End(s) SS = Shaped Side PFD = Prep for False Door  
 EXT = Extended Stile(s) FT = Flush Toe SBR = Shaped Bottom Rail LE = Leg Extension TSS = Toe Space Side OS = Omit Shelving  
 NSH = No Shelf Holes WS = Solid Wood Shelves MI = Matching Interior DT = Dust Top NB = Natural Finished Bottom

### Shaped Side Option (SS)

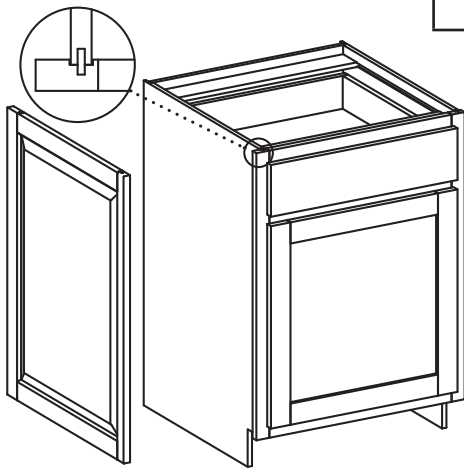


EXP	FL	FUE	SS	PFD	EXT	FT	SBR	LE	TSS	OS	NSH	WS	MI	DT	NB
			✓												

- Option incorporates one of four valance designs on exposed or flush ends.
- Shaped side option includes flush toe.
- To order, specify using Conestoga designations associated with the design – see shape options below.
- Specify “SS” – “L” (Left), “R” (Right) or “B” (Both).
- Design is centered on the length of the cabinet side.
- Not available with extended stiles, loose toe platform or flush unexposed ends.
- Toe space side option is not available.
- Available on most base, tall and vanity cabinets.
- Minimum cabinet depth is 15".
- Use Conestoga’s online ordering system, Con-Nex or Conestoga order entry for pricing.



### Prepare for False Door Side Option (PFD)

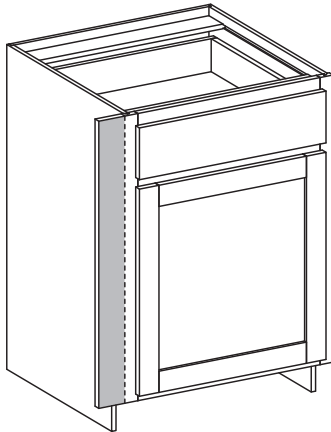


EXP	FL	FUE	SS	PFD	EXT	FT	SBR	LE	TSS	OS	NSH	WS	MI	DT	NB
				✓											

- Prepares the sides of wall, base, tall or vanity cabinets to accept 3/4" thick doors as decorative, integral cabinet sides.
- False doors not included, must be ordered separately.
- Cabinet carcass width is reduced to provide a 13/16" extension of the front frame on left, right or both sides. Overall cabinet front width remains unchanged.
- Left and right stiles are 1-1/2" wide.
- Specify: “L” (Left), “R” (Right) or “B” (Both).
- Available on most wall, base and tall cabinets.
- Concealed Inset Hinges and Pull-Out Trays (POT’s) are not available with Prepare for False Door Side Option.
- Order false door width 3/4" less than overall cabinet depth. Height of false door equals cabinet height.
- Use Conestoga’s online ordering system, Con-Nex or Conestoga order entry for pricing.

**Options Key:** EXP = Exposed End(s) FL = Flush End(s) FUE = Flush Unexposed End(s) SS = Shaped Side PFD = Prep for False Door  
 EXT = Extended Stile(s) FT = Flush Toe SBR = Shaped Bottom Rail LE = Leg Extension TSS = Toe Space Side OS = Omit Shelving  
 NSH = No Shelf Holes WS = Solid Wood Shelves MI = Matching Interior DT = Dust Top NB = Natural Finished Bottom

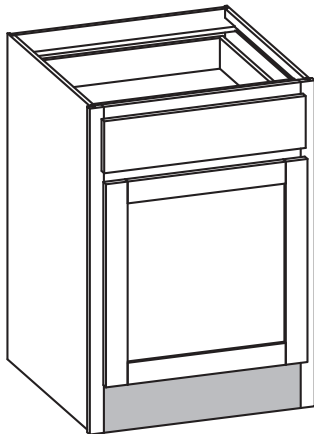
**Extended Stiles (EXT)/Custom Extended Stiles (CSEXT)**



EXP	FL	FUE	SS	PFD	EXT	FT	SBR	LE	TSS	OS	NSH	WS	MI	DT	NB
					✓										

- Provides 3" wide frame extension (standard) for field trimming or custom width stile extensions to avoid cutting at installation.
- If CSEXT is ordered, stile width can be specified between 1/4" and 3" in 1/16" increments.
- For standard 3" extension specify: EXL (Extended Left), EXR (Extended Right) or EXB (Extended Both).
- For custom extension specify: CSEXL (Custom Extended Left), CSEXR (Custom Extended Right) or CSEXB (Custom Extended Both) followed by the width required.
- Available on most wall, base, tall, vanity and home office units.
- Use Conestoga's online ordering system, Con-Nex or Conestoga order entry for pricing.

**Flush Toe (FT)**

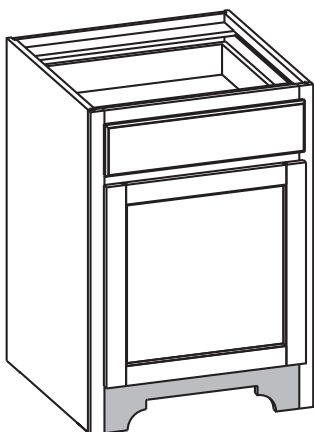


EXP	FL	FUE	SS	PFD	EXT	FT	SBR	LE	TSS	OS	NSH	WS	MI	DT	NB
						✓									

- Bottom rail height is 5-1/2".
- Specify: "FT" (Flush Toe).
- Cabinet side is manufactured without toe notch.
- 96" tall cabinets do not use a toe platform.
- Available on most base and tall cabinets.
- Use Conestoga's online ordering system, Con-Nex or Conestoga order entry for pricing.

**Options Key:** EXP = Exposed End(s) FL = Flush End(s) FUE = Flush Unexposed End(s) SS = Shaped Side PFD = Prep for False Door  
 EXT = Extended Stile(s) FT = Flush Toe SBR = Shaped Bottom Rail LE = Leg Extension TSS = Toe Space Side OS = Omit Shelving  
 NSH = No Shelf Holes WS = Solid Wood Shelves MI = Matching Interior DT = Dust Top NB = Natural Finished Bottom

## Shaped Bottom Rail (SBR)



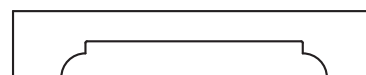
CWS6 – Elegant Arch shown

EXP	FL	FUE	SS	PFD	EXT	FT	SBR	LE	TSS	OS	NSH	WS	MI	DT	NB
							✓								

- Rail height is 5-1/2". Flush toe is standard; cabinet side is constructed without toe notch.
- Roman, Elegant, Classic and Traditional Arch designs are centered on bottom rail.
- Elegant 2 and Traditional 2 designs are available on the left only, right only or both sides of the bottom rail.
- Elegant 2 and Traditional 2 designs rise to 1-1/2" framing. These designs will not match Elegant or Traditional Arch designs.
- Elegant 2 and Traditional 2 designs are not available with the Shaped Side Option.
- To order specify using CWS designations associated with the design.
- Not available with Loose Toe Platform Option for tall cabinets.
- Available on most base, tall and vanity cabinets.
- Minimum cabinet width is 15".
- Use Conestoga's online ordering system, Con-Nex or Conestoga order entry for pricing.



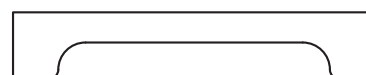
CWS4 – Roman Arch



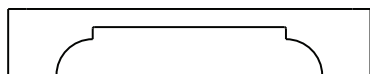
CWS6 – Elegant Arch



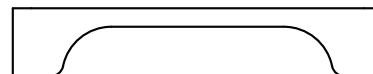
CWS5 – Classic Arch



CWS7 – Traditional Arch

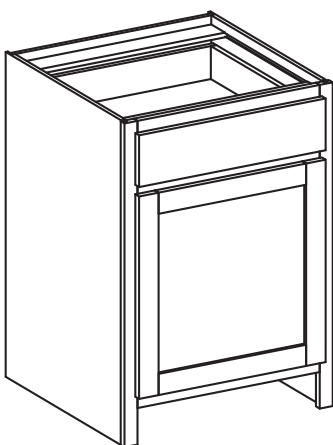


Elegant 2:  
AB1B – Both  
AB1L – Left  
AB1R – Right



Traditional 2:  
AB2B – Both  
AB2L – Left  
AB2R – Right

## Leg Extension (LE)

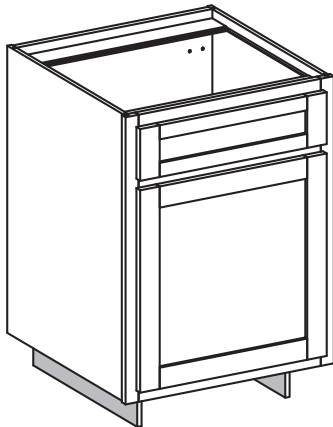


EXP	FL	FUE	SS	PFD	EXT	FT	SBR	LE	TSS	OS	NSH	WS	MI	DT	NB
								✓							

- Option extends exterior frame stiles to the floor into toe space for furniture "leg" styling.
- Specify "LE" – "L" (Left), "R" (Right) or "B" (Both).
- When "LE"- "B" is ordered with beaded inset, bottom opening will be beaded.
- Stile width is 1-1/2".
- Not available with loose toe platform or shaped bottom rail.
- Toe Space Side Option is available, not on the same side as the extension.
- Available on most base tall and vanity cabinets.
- Minimum cabinet width is 9".
- Toeboard backer available. Install prior to final cabinet installation
- Use Conestoga's online ordering system, Con-Nex or Conestoga order entry for pricing.

**Options Key:** EXP = Exposed End(s) FL = Flush End(s) FUE = Flush Unexposed End(s) SS = Shaped Side PFD = Prep for False Door  
 EXT = Extended Stile(s) FT = Flush Toe SBR = Shaped Bottom Rail LE = Leg Extension TSS = Toe Space Side OS = Omit Shelving  
 NSH = No Shelf Holes WS = Solid Wood Shelves MI = Matching Interior DT = Dust Top NB = Natural Finished Bottom

### Toe Space Side Option (TSS)



EXP	FL	FUE	SS	PFD	EXT	FT	SBR	LE	TSS	OS	NSH	WS	MI	DT	NB
									✓						

- Places standard toe space depth on the left, right or both sides of most base cabinets.
- Specify “TSS” – “L” (Left), “R” (Right) or “B” (Both).
- Toe Space Side is not available on the following cabinets: BLS, BSC, BCFD, BAE, BEAL/R, RTB, RTR, RTL, TCH, DB, DBFD, DB2D, DB3D, LF2D, ORS, DWEP, REP, BFC, WSUD and FS.
- Minimum cabinet width and depth is 15". TSS both, both minimum depth is 18".
- Use Conestoga’s online ordering system, Con-Nex or Conestoga order entry for pricing.

### Shelf Options

#### Omit Shelving (OS)

EXP	FL	FUE	SS	PFD	EXT	FT	SBR	LE	TSS	OS	NSH	WS	MI	DT	NB
										✓					

- Choose to omit interior shelving in wall, base and tall cabinets.
- Wall and Base Omit Option deletes all shelves.
- Tall cabinets: specify top, bottom or all shelves.
- Omits shelving only; if shelf holes are not required, specify No Shelf Hole Option.
- Use Conestoga’s online ordering system, Con-Nex or Conestoga order entry for pricing.

#### No Shelf Hole Option (NSH)

EXP	FL	FUE	SS	PFD	EXT	FT	SBR	LE	TSS	OS	NSH	WS	MI	DT	NB
											✓				

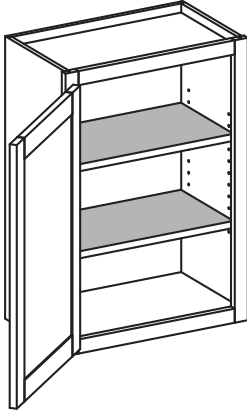
- Choose to omit line boring for shelf rests in wall, base and tall cabinets.
- Most wall and all Base Omit Option deletes all holes.
- Two Tiered Wall cabinets (TTW) and tall cabinets: specify top, bottom or all holes.
- Omit shelf holes only; if shelves are not required, also specify Omit Shelving Option.
- No upcharge.

#### Extra Deep Shelf Option (EDS)

- Option increases shelf depth as cabinet depth is increased.
- Shelf depth is approximately 2" less than the overall cabinet depth.
- Plywood shelves only; not available with solid wood shelf upgrade.
- Use Conestoga’s online ordering system, Con-Nex or Conestoga order entry for pricing.

**Options Key:** EXP = Exposed End(s) FL = Flush End(s) FUE = Flush Unexposed End(s) SS = Shaped Side PFD = Prep for False Door  
 EXT = Extended Stile(s) FT = Flush Toe SBR = Shaped Bottom Rail LE = Leg Extension TSS = Toe Space Side OS = Omit Shelving  
 NSH = No Shelf Holes WS = Solid Wood Shelves MI = Matching Interior DT = Dust Top NB = Natural Finished Bottom

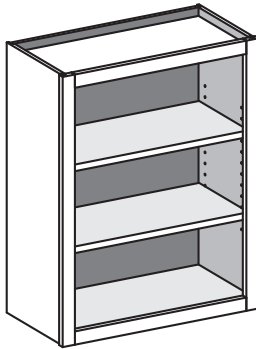
**Solid Wood Shelf Upgrade (WS)**



EXP	FL	FUE	SS	PFD	EXT	FT	SBR	LE	TSS	OS	NSH	WS	MI	DT	NB
												✓			

- Replaces 3/4" thick prefinished plywood shelving with 3/4" thick, prefinished solid wood shelving with a bullnose on front edge.
- Solid wood shelves available up to 18" deep.
- Solid wood shelf upgrade is not available with matching interior.
- Use Conestoga's online ordering system, Con-Nex or Conestoga order entry for pricing.

**Matching Interior (MI)**



EXP	FL	FUE	SS	PFD	EXT	FT	SBR	LE	TSS	OS	NSH	WS	MI	DT	NB
													✓		

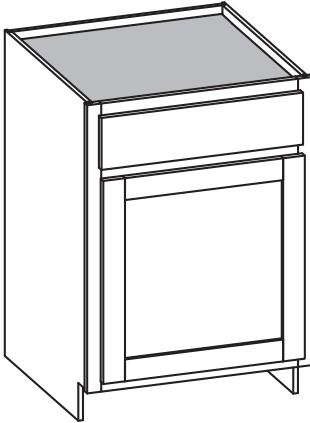
- Cabinets will have unfinished matching specie interior sides, tops, bottoms, shelves and backs.
- Specify: "MI" (Matching Interior).
- Flush unexposed ends are not available.
- Shelves are matching specie 3/4" plywood with veneer edgebanding on front edge.
- Hard Maple and Soft Maple cabinets have Hard Maple veneered interior components.
- Cabinets with matching interior standard do not have the matching interior upcharge included in the cabinet price.

**Matching Specie Interior**

Specie	
Cherry	Oak, Red
Maple	

**Options Key:** EXP = Exposed End(s) FL = Flush End(s) FUE = Flush Unexposed End(s) SS = Shaped Side PFD = Prep for False Door  
 EXT = Extended Stile(s) FT = Flush Toe SBR = Shaped Bottom Rail LE = Leg Extension TSS = Toe Space Side OS = Omit Shelving  
 NSH = No Shelf Holes WS = Solid Wood Shelves MI = Matching Interior DT = Dust Top NB = Natural Finished Bottom

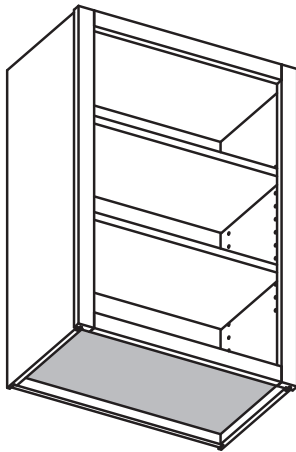
**Dust Top (DT)**



EXP	FL	FUE	SS	PFD	EXT	FT	SBR	LE	TSS	OS	NSH	WS	MI	DT	NB
														✓	

- Full top in place of front and back top strips.
- Specify: "DT" (Dust Top).
- Use Conestoga's online ordering system, Con-Nex or Conestoga order entry for pricing.

**Natural Finished Bottom (NB)**



EXP	FL	FUE	SS	PFD	EXT	FT	SBR	LE	TSS	OS	NSH	WS	MI	DT	NB
															✓

- Clear UV finish on Natural Birch veneer on top and bottom of wall cabinets.
- To order, specify natural finished bottom.
- Use Conestoga's online ordering system, Con-Nex or Conestoga order entry for pricing.