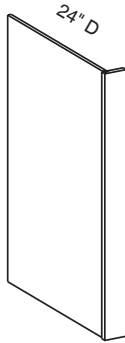


DWEP/REP/CSEP - Dishwasher/Refrigerator End Panel



EXP	FL	FUE	SS	PFD	EXT	FT	SBR	LE	TSS	OS	NSH	WS	MI	DT	NB
STD	✓			✓									STD		

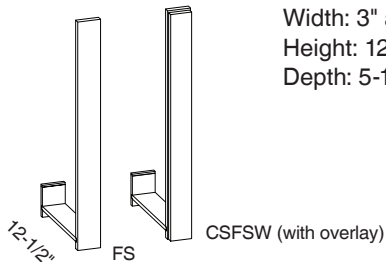
Custom Size Ranges
 Width: 1-1/2" & 3"
 Height: 12" – 120"
 Depth: 5-1/2" – 30"

- 1-1/2" or 3" stile.
- Matching specie veneer standard on both sides, except when height exceeds 96-1/16" up to 120", where Natural Birch UV will be used.

34-1/2" High	84" High	96" High
DWEP2434.5	REP2484	REP2496
	REP2784	REP2796

Options Key: EXP = Exposed End(s) FL = Flush End(s) FUE = Flush Unexposed End(s) SS = Shaped Side PFD = Prep for False Door
 EXT = Extended Stile(s) FT = Flush Toe SBR = Shaped Bottom Rail LE = Leg Extension TSS = Toe Space Side OS = Omit Shelving
 NSH = No Shelf Holes WS = Solid Wood Shelves MI = Matching Interior DT = Dust Top NB = Natural Finished Bottom

FS/CSFSW - Filler Strip (Wall)

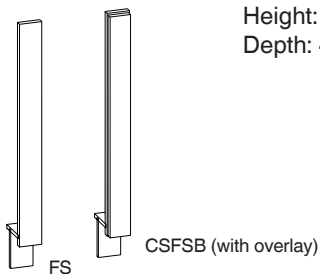


Custom Size Ranges
Width: 3" and 6" only
Height: 12" – 72"
Depth: 5-1/2" – 27"

- Solid wood front strip.
- One piece overlays are available with 1-1/4" and 1-3/8" overlay.
- Overlay will have a Machine Edge on one long side and matching door edge on three sides.
- If overlay is required, order a CSFSW (Custom Size Filler Strip Wall).

30" High	42" High
FS0330	FS0342
FS0630	FS0642

FS/CSFSB - Filler Strip (Base)

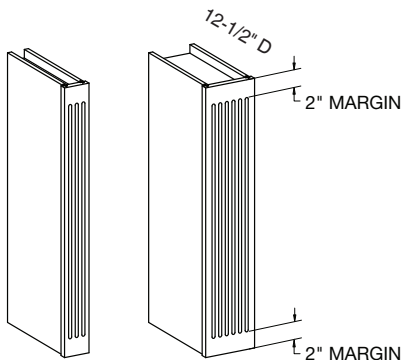


Custom Size Ranges
Width: 3" and 6" only
Height: 31-1/2" – 96"
Depth: 4"

- Solid wood front strip.
- One piece overlays are available with 1-1/4" and 1-3/8" overlay.
- Overlay will have a Machine Edge on one long side and matching door edge on three sides.
- If overlay is required, order a CSFSB (Custom Size Filler Strip Base).

34-1/2" High	84" High	96" High
FS0334.5	FS0384	FS0396
FS0634.5	FS0684	FS0696

WFC/CSWFC - Wall Filler Columns



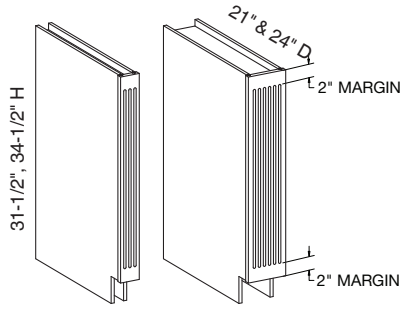
EXP	FL	FUE	SS	PFD	EXT	FT	SBR	LE	TSS	OS	NSH	WS	MI	DT	NB
✓	✓	✓													✓

Custom Size Ranges
Width: 3" & 6" only
Height: 12" – 65"
Depth: 5-1/2" – 30"

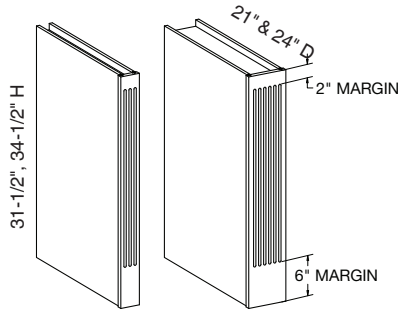
- Specify either tapered, rounded or no flutes.
- 3" columns have three flutes.
- 6" columns have six flutes.

Options Key: EXP = Exposed End(s) FL = Flush End(s) FUE = Flush Unexposed End(s) SS = Shaped Side PFD = Prep for False Door
EXT = Extended Stile(s) FT = Flush Toe SBR = Shaped Bottom Rail LE = Leg Extension TSS = Toe Space Side OS = Omit Shelving
NSH = No Shelf Holes WS = Solid Wood Shelves MI = Matching Interior DT = Dust Top NB = Natural Finished Bottom

BFC/CSBFC - Base Filler Columns



Standard Toe



Flush Toe

EXP	FL	FUE	SS	PFD	EXT	FT	SBR	LE	TSS	OS	NSH	WS	MI	DT	NB
✓	✓	✓				✓									

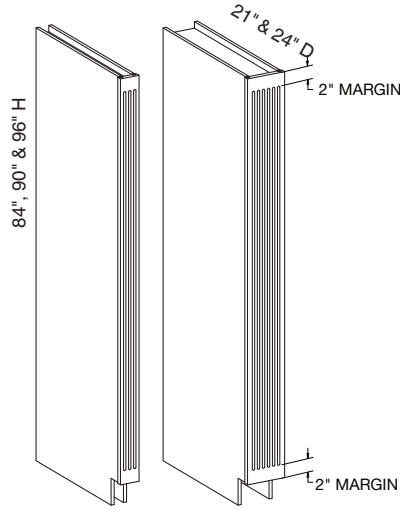
Custom Size Ranges
Width: 3" & 6" only
Height: 31-1/2" – 96"
Depth: 5-1/2" – 30"

- Specify either tapered, rounded or no flutes.
- 3" columns have three flutes.
- 6" columns have six flutes.

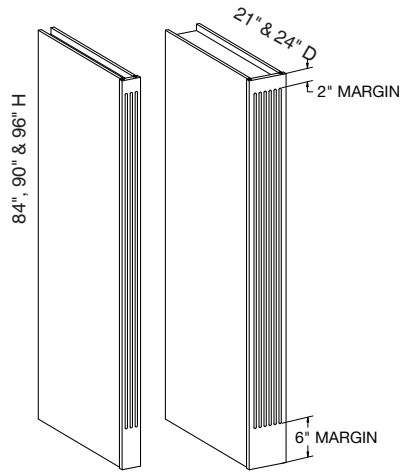
Cabinet Code	
BFC0331.5	BFC0334.5
BFC0631.5	BFC0634.5

Options Key: EXP = Exposed End(s) FL = Flush End(s) FUE = Flush Unexposed End(s) SS = Shaped Side PFD = Prep for False Door
EXT = Extended Stile(s) FT = Flush Toe SBR = Shaped Bottom Rail LE = Leg Extension TSS = Toe Space Side OS = Omit Shelving
NSH = No Shelf Holes WS = Solid Wood Shelves MI = Matching Interior DT = Dust Top NB = Natural Finished Bottom

TFC/CSBFC - Tall Filler Columns



Standard Toe



Flush Toe

EXP	FL	FUE	SS	PFD	EXT	FT	SBR	LE	TSS	OS	NSH	WS	MI	DT	NB
✓	✓	✓				✓									

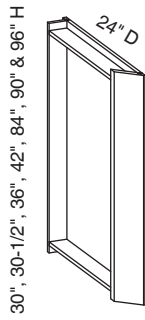
Custom Size Ranges
 Width: 3" & 6" only
 Height: 31-1/2" – 96"
 Depth: 5-1/2" – 30"

- Specify either tapered, rounded or no flutes.
- 3" columns have three flutes.
- 6" columns have six flutes.

Cabinet Code	
TFC0384	TFC0690
TFC0684	TFC0396
TFC0390	TFC0696

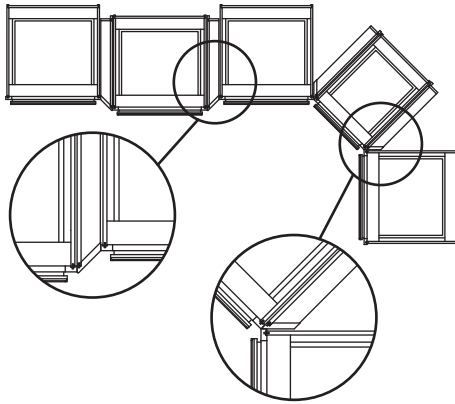
Options Key: EXP = Exposed End(s) FL = Flush End(s) FUE = Flush Unexposed End(s) SS = Shaped Side PFD = Prep for False Door
 EXT = Extended Stile(s) FT = Flush Toe SBR = Shaped Bottom Rail LE = Leg Extension TSS = Toe Space Side OS = Omit Shelving
 NSH = No Shelf Holes WS = Solid Wood Shelves MI = Matching Interior DT = Dust Top NB = Natural Finished Bottom

Z AFL(R)/CSZ AFL(R) - Zero Angle Filler Left (or Right)



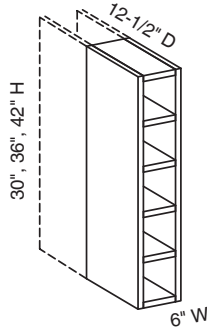
Custom Size Ranges
Width: 3" only
Height: 12" – 120"
Depth: 12-1/2" – 24"

- Designed to turn 135° corners with standard cabinets or to facilitate break front designs.
- No toe kick; use 30-1/2" high unit for standard base applications with toe kicks or specify CS unit at 34-1/2" high when flush toe is required.
- Non-fluted face is standard; 3 flutes spaced evenly on angled face are optional. Specify tapered or rounded flutes. If not specified, flutes will be produced using the tapered design.
- Flute spacing is fixed, no option:
 - ZAF heights 30" – 42" have 2" spacing top and bottom.
 - ZAF heights 84" – 90" have 2" top spacing – specify 2" or 6" bottom spacing.



Cabinet Code	
Z AFL0330	Z AFR0342
Z AFR0330	Z AFL0384
Z AFL0330.5	Z AFR0384
Z AFR0330.5	Z AFL0390
Z AFL0336	Z AFR0390
Z AFR0336	Z AFL0396
Z AFL0342	Z AFR0396

WSU/CSWSUW - Wine Storage Unit



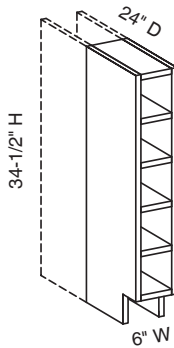
EXP	FL	FUE	SS	PFD	EXT	FT	SBR	LE	TSS	OS	NSH	WS	MI	DT	NB
	STD												STD		

Custom Size Ranges
Width: 6" only
Height: 30", 36", 42"
Depth: 12-1/2" – 27"

- 3/4" matching specie plywood with dowel construction.
- Exposed edges are banded with matching specie veneer.
- Hard Maple plywood used for Hard and Soft Maple lines.
- 30" high has five openings.
- 36" high has six openings.
- 42" high has seven openings.
- 11-3/4" interior depth. When ordered deeper than 12-1/2" sides extend past back.

Cabinet Code	
WSU0630	WSU0642
WSU0636	

WSUD/CSWSUB - Wine Storage Unit Deep



EXP	FL	FUE	SS	PFD	EXT	FT	SBR	LE	TSS	OS	NSH	WS	MI	DT	NB
	STD												STD		

Custom Size Ranges
Width: 6" only
Height: 34-1/2" only
Depth: 12-1/2" – 30"

- 3/4" matching specie plywood with dowel construction.
- Exposed edges are banded with matching specie veneer.
- Hard Maple plywood used for Hard and Soft Maple lines.
- 11-3/4" interior depth. When ordered deeper than 12-1/2" sides extend past back.

Cabinet Code
WSUD0634.5

Options Key: EXP = Exposed End(s) FL = Flush End(s) FUE = Flush Unexposed End(s) SS = Shaped Side PFD = Prep for False Door
EXT = Extended Stile(s) FT = Flush Toe SBR = Shaped Bottom Rail LE = Leg Extension TSS = Toe Space Side OS = Omit Shelving
NSH = No Shelf Holes WS = Solid Wood Shelves MI = Matching Interior DT = Dust Top NB = Natural Finished Bottom