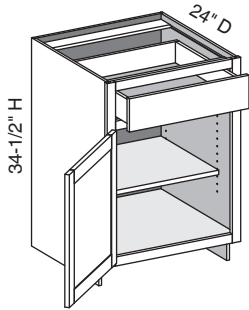


B/CSB - Base



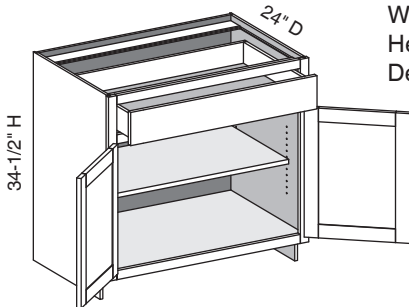
EXP	FL	FUE	SS	PFD	EXT	FT	SBR	LE	TSS	OS	NSH	WS	MI	DT	NB
✓	✓	✓	✓	✓	✓	✓	✓	✓	✓	✓	✓	✓	✓	✓	✓

Custom Size Ranges
 Width: 12" – 24"
 Height: 31-1/2" – 42"
 Depth: 12", 15", 18", 21",
 24", 27", 30"

- When height changes, lower opening height changes. Drawer opening height fixed at 5".
- Specify single or butt doors on custom size cabinets 24" wide.

Cabinet Code	
B1234.5	B2134.5
B1534.5	B2434.5
B1834.5	

B/CSB - Base w/Butt Doors



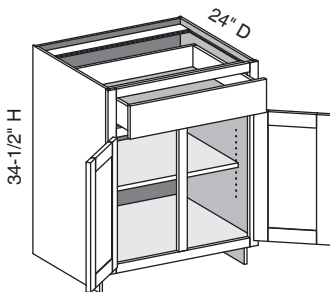
EXP	FL	FUE	SS	PFD	EXT	FT	SBR	LE	TSS	OS	NSH	WS	MI	DT	NB
✓	✓	✓	✓	✓	✓	✓	✓	✓	✓	✓	✓	✓	✓	✓	✓

Custom Size Ranges
 Width: 24" – 36"
 Height: 31-1/2" – 42"
 Depth: 12", 15", 18", 21",
 24", 27", 30"

- When height changes, lower opening height changes. Drawer opening height fixed at 5".
- Specify single or butt doors on custom size cabinets 24" wide.

Cabinet Code	
B2434.5BD	B3334.5BD
B2734.5BD	B3634.5BD
B3034.5BD	

B/CSB2D1D - Base Two Door One Drawer



EXP	FL	FUE	SS	PFD	EXT	FT	SBR	LE	TSS	OS	NSH	WS	MI	DT	NB
✓	✓	✓	✓	✓	✓	✓	✓	✓	✓	✓	✓	✓	✓	✓	✓

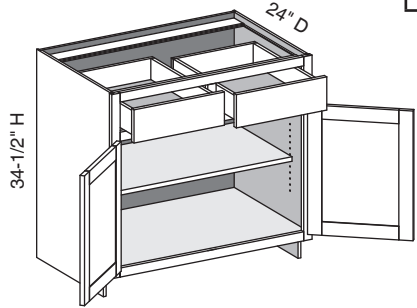
Custom Size Ranges
 Width: 27" – 36"
 Height: 31-1/2" – 42"
 Depth: 12", 15", 18", 21",
 24", 27", 30"

- When height changes, lower opening height changes. Drawer opening height fixed at 5".

Cabinet Code
B2734.5

Options Key: EXP = Exposed End(s) FL = Flush End(s) FUE = Flush Unexposed End(s) SS = Shaped Side PFD = Prep for False Door
 EXT = Extended Stile(s) FT = Flush Toe SBR = Shaped Bottom Rail LE = Leg Extension TSS = Toe Space Side OS = Omit Shelving
 NSH = No Shelf Holes WS = Solid Wood Shelves MI = Matching Interior DT = Dust Top NB = Natural Finished Bottom

B/CSBBD2D - Base Butt Door Two Drawer



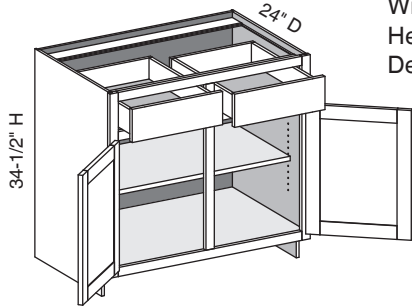
EXP	FL	FUE	SS	PFD	EXT	FT	SBR	LE	TSS	OS	NSH	WS	MI	DT	NB
✓	✓	✓	✓	✓	✓	✓	✓	✓	✓	✓	✓	✓	✓	✓	✓

Custom Size Ranges
 Width: 30" – 36"
 Height: 31-1/2" – 42"
 Depth: 12", 15", 18", 21",
 24", 27", 30"

- When height changes, lower opening height changes. Drawer opening height fixed at 5".

Cabinet Code	
B3034.5BD2D	
B3334.5BD2D	
B3634.5BD2D	

B/CSB2D2D - Base Two Door Two Drawer



EXP	FL	FUE	SS	PFD	EXT	FT	SBR	LE	TSS	OS	NSH	WS	MI	DT	NB
✓	✓	✓	✓	✓	✓	✓	✓	✓	✓	✓	✓	✓	✓	✓	✓

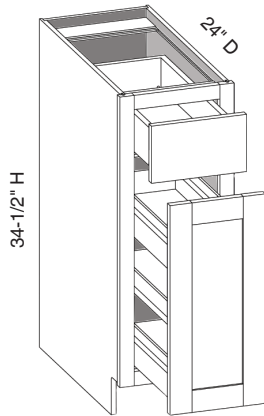
Custom Size Ranges
 Width: 30" – 48"
 Height: 31-1/2" – 42"
 Depth: 12", 15", 18", 21",
 24", 27", 30"

- When height changes, lower opening height changes. Drawer opening height fixed at 5".

Cabinet Code	
B3034.5	B4234.5
B3334.5	B4534.5
B3634.5	B4834.5
B3934.5	

Options Key: EXP = Exposed End(s) FL = Flush End(s) FUE = Flush Unexposed End(s) SS = Shaped Side PFD = Prep for False Door
 EXT = Extended Stile(s) FT = Flush Toe SBR = Shaped Bottom Rail LE = Leg Extension TSS = Toe Space Side OS = Omit Shelving
 NSH = No Shelf Holes WS = Solid Wood Shelves MI = Matching Interior DT = Dust Top NB = Natural Finished Bottom

BPO/C SBPO Base Pull Out



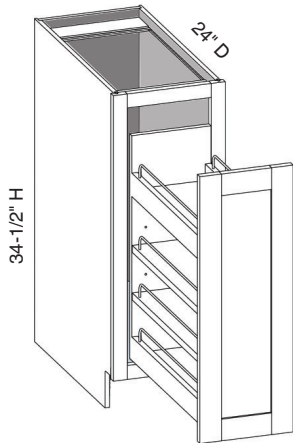
EXP	FL	FUE	SS	PFD	EXT	FT	SBR	LE	TSS	OS	NSH	WS	MI	DT	NB
✓	✓	✓	✓	✓	✓	✓		✓	✓				✓	✓	

Custom Size Ranges
Width: 9" and 12"
Height: 34-1/2"
Depth: 24"

- Cabinet depth is 24". Depth customization is not available due to pull-out and hardware requirements.
- Unit includes a fully assembled pull-out that includes full extension drawer glides and a mounting cleat for quick and easy installation.
- Pull-out is constructed from Natural Birch solids and plywood finished with a durable, clear UV topcoat and includes two fixed shelves and one adjustable shelf.
- Integrated 6-way adjustable door mounting hardware allows for easy installation for all overlays.

Cabinet Code
BPO0934.5
BPO1234.5

BFDP/CSBFDPO Base Full Door Pull Out



EXP	FL	FUE	SS	PFD	EXT	FT	SBR	LE	TSS	OS	NSH	WS	MI	DT	NB
✓	✓	✓	✓	✓	✓	✓		✓	✓				✓	✓	

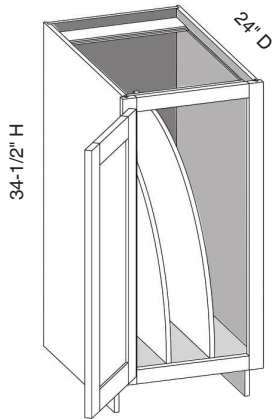
Custom Size Ranges
Width: 9", 12", 15"
and 18"
Height: 34-1/2"
Depth: 24"

- Cabinet depth is 24". Depth customization is not available due to pull-out and hardware requirements.
- Unit includes a fully assembled pull-out that includes full extension drawer glides and a mounting cleat for quick and easy installation.
- Pull-out is constructed from Natural Birch solids and plywood finished with a durable, clear UV topcoat and includes two fixed shelves and two adjustable shelves.
- Integrated 6-way adjustable door mounting hardware allows for easy installation for all overlays.

Cabinet Code
BFDP0934.5
BFDP01234.5
BFDP01534.5
BFDP01834.5

Options Key: EXP = Exposed End(s) FL = Flush End(s) FUE = Flush Unexposed End(s) SS = Shaped Side PFD = Prep for False Door
EXT = Extended Stile(s) FT = Flush Toe SBR = Shaped Bottom Rail LE = Leg Extension TSS = Toe Space Side OS = Omit Shelving
NSH = No Shelf Holes WS = Solid Wood Shelves MI = Matching Interior DT = Dust Top NB = Natural Finished Bottom

BFDTD/CSBFDTD Base Full Door Tray Divider



EXP	FL	FUE	SS	PFD	EXT	FT	SBR	LE	TSS	OS	NSH	WS	MI	DT	NB
✓	✓	✓	✓	✓	✓	✓		✓					✓	✓	

Custom Size Ranges
Width: 9" - 18"
Height: 34-1/2"
Depth: 24"

- Cabinet depth is 24". Depth customization is not available due to tray divider design and installation requirements.
- Dividers are constructed from 1/2" Natural Birch plywood with and edgebanded front edge.
- Cabinet floor is dovetailed and back includes pilot holes to install dividers.
- Units 9 - 12" have 1 divider centered; units 12-1/16" - 18" have 2 dividers. As cabinet width increases, space between dividers increases equally.

Cabinet Code
BFDTD0934.5
BFDTD1234.5
BFDTD1534.5
BFDTD1834.5

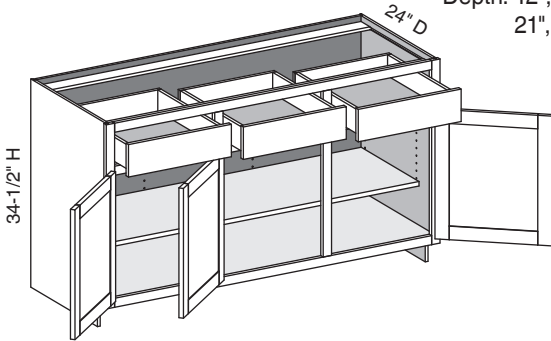
Options Key: EXP = Exposed End(s) FL = Flush End(s) FUE = Flush Unexposed End(s) SS = Shaped Side PFD = Prep for False Door
EXT = Extended Stile(s) FT = Flush Toe SBR = Shaped Bottom Rail LE = Leg Extension TSS = Toe Space Side OS = Omit Shelving
NSH = No Shelf Holes WS = Solid Wood Shelves MI = Matching Interior DT = Dust Top NB = Natural Finished Bottom

B/CSB3D3D - Base Three Door Three Drawer

EXP	FL	FUE	SS	PFD	EXT	FT	SBR	LE	TSS	OS	NSH	WS	MI	DT	NB
✓	✓	✓	✓	✓	✓	✓	✓	✓	✓	✓	✓		✓	✓	

Custom Size Ranges
Width: 48" – 72"
Height: 31-1/2" – 42"
Depth: 12", 15", 18",
21", 24", 27", 30"

- Additional shelf holes are provided in cabinet back to support wide shelves.
- Doors hinged on center stile require 1/2" overlay hinges for 1-1/4" or 1-3/8" overlay.
- When height changes, lower opening height changes. Drawer opening height fixed at 5".



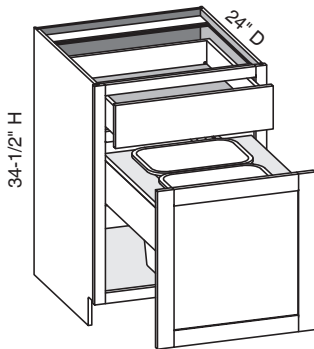
Cabinet Code	
B5134.5	B6334.5
B5434.5	B6634.5
B5734.5	B6934.5
B6034.5	B7234.5

BTCP/CSBTCP - Base w/Trash Can Pull-Out

EXP	FL	FUE	SS	PFD	EXT	FT	SBR	LE	TSS	OS	NSH	WS	MI	DT	NB
✓	✓	✓	✓		✓	✓	✓	✓	✓				✓	✓	

Custom Size Ranges
Width: 18" – 27"
Height: 31-1/2" – 34-1/2"
Depth: 24"

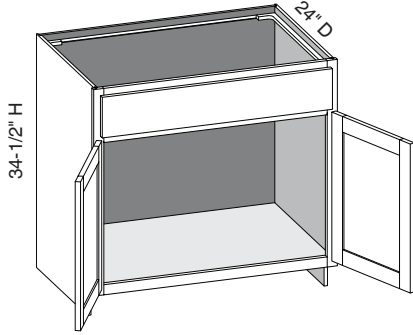
- Cabinet depth is 24". Depth customization is not available due to trash can pull-out and hardware requirements.
- Trash can pull-out unit is prefinished Natural Birch with a Hard Maple plywood top.
- Single can, double cans or units with no cut-outs are available.
- Pull-out unit is 6" high to accommodate door mounting.
- Units include 7 gallon grey waste cans.
- Units 18" – 23-15/16" have one can; units 24" – 27" include 2 cans. When ordering custom size cabinets within these ranges, specify single can, double cans or no cut-outs.
- When cabinet height changes, lower opening height changes. Drawer opening height fixed at 5".
- Not available in inset applications.



Cabinet Code	
BTCP1834.5	BTCP2434.5
BTCP2134.5	BTCP2734.5

Options Key: EXP = Exposed End(s) FL = Flush End(s) FUE = Flush Unexposed End(s) SS = Shaped Side PFD = Prep for False Door
EXT = Extended Stile(s) FT = Flush Toe SBR = Shaped Bottom Rail LE = Leg Extension TSS = Toe Space Side OS = Omit Shelving
NSH = No Shelf Holes WS = Solid Wood Shelves MI = Matching Interior DT = Dust Top NB = Natural Finished Bottom

BS/CSBS - Base Sink w/Butt Doors



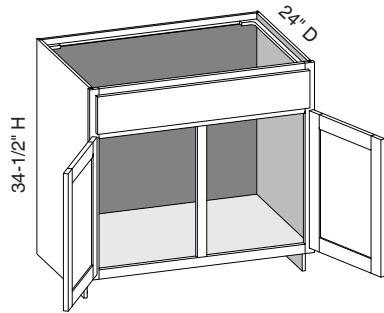
EXP	FL	FUE	SS	PFD	EXT	FT	SBR	LE	TSS	OS	NSH	WS	MI	DT	NB
✓	✓	✓	✓	✓	✓	✓	✓	✓	✓	STD	STD	✓	✓		

Custom Size Ranges
 Width: 24" – 36"
 Height: 31-1/2" – 42"
 Depth: 18" – 30"

- False drawer front.
- When height changes, lower opening height changes. Drawer opening height fixed at 5".
- Specify single or butt doors on custom size cabinets 24" wide.

Cabinet Code	
BS2434.5BD	BS3334.5BD
BS2734.5BD	BS3634.5BD
BS3034.5BD	

BS/CSBS2D1D - Base Sink Two Door One Drawer



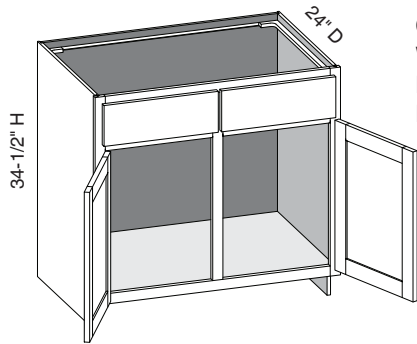
EXP	FL	FUE	SS	PFD	EXT	FT	SBR	LE	TSS	OS	NSH	WS	MI	DT	NB
✓	✓	✓	✓	✓	✓	✓	✓	✓	✓	STD	STD		✓		

Custom Size Ranges
 Width: 27" – 36"
 Height: 31-1/2" – 42"
 Depth: 18" – 30"

- False drawer front.
- When height changes, lower opening height changes. Drawer opening height fixed at 5".

Cabinet Code
BS2734.5

BS/CSBS2D2D - Base Sink Two Door Two Drawer



EXP	FL	FUE	SS	PFD	EXT	FT	SBR	LE	TSS	OS	NSH	WS	MI	DT	NB
✓	✓	✓	✓	✓	✓	✓	✓	✓	✓	STD	STD		✓		

Custom Size Ranges
 Width: 30" – 48"
 Height: 31-1/2" – 42"
 Depth: 18" – 30"

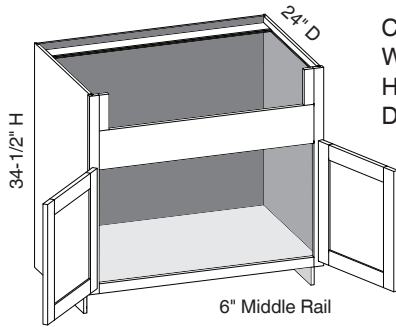
- Two false drawer fronts.
- When height changes, lower opening height changes. Drawer opening height fixed at 5".

Cabinet Code	
BS3034.5	BS4234.5
BS3334.5	BS4534.5
BS3634.5	BS4834.5
BS3934.5	

Options Key: EXP = Exposed End(s) FL = Flush End(s) FUE = Flush Unexposed End(s) SS = Shaped Side PFD = Prep for False Door
 EXT = Extended Stile(s) FT = Flush Toe SBR = Shaped Bottom Rail LE = Leg Extension TSS = Toe Space Side OS = Omit Shelving
 NSH = No Shelf Holes WS = Solid Wood Shelves MI = Matching Interior DT = Dust Top NB = Natural Finished Bottom

ASB/CSASB - Apron Sink Base w/Butt Doors

EXP	FL	FUE	SS	PFD	EXT	FT	SBR	LE	TSS	OS	NSH	WS	MI	DT	NB
✓	✓	✓	✓	✓	✓	✓	✓	✓	✓	STD	STD		✓		



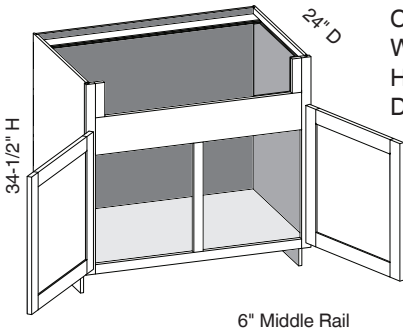
Custom Size Ranges
Width: 24" – 36"
Height: 31-1/2" – 42"
Depth: 18" – 30"

- Sink bowl opening is 5-1/2" high, width is 6" less than cabinet width.
- Sink opening is trimmable to 4-1/2" in height and 3" in width.
- When height changes, lower opening height changes.

Cabinet Code	
ASB2434.5BD	ASB3334.5BD
ASB2734.5BD	ASB3634.5BD
ASB3034.5BD	

ASB/CSASBCS - Apron Sink Base w/Center Stile

EXP	FL	FUE	SS	PFD	EXT	FT	SBR	LE	TSS	OS	NSH	WS	MI	DT	NB
✓	✓	✓	✓	✓	✓	✓	✓	✓	✓	STD	STD		✓		



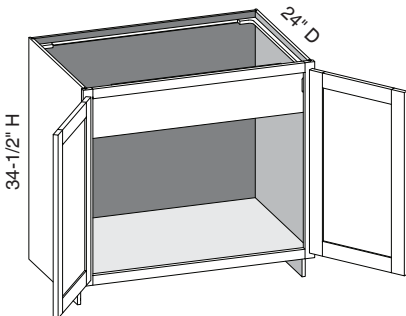
Custom Size Ranges
Width: 27" – 48"
Height: 31-1/2" – 42"
Depth: 18" – 30"

- Sink bowl opening is 5-1/2" high, width is 6" less than cabinet width.
- Sink opening is trimmable to 4-1/2" in height and 3" in width.
- When height changes, lower opening height changes.

Cabinet Code	
ASB2734.5	ASB3934.5
ASB3034.5	ASB4234.5
ASB3334.5	ASB4534.5
ASB3634.5	ASB4834.5

BSFD/CSBSFD - Base Sink Full Door w/Butt Doors

EXP	FL	FUE	SS	PFD	EXT	FT	SBR	LE	TSS	OS	NSH	WS	MI	DT	NB
✓	✓	✓	✓		✓	✓	✓	✓	✓		STD		✓		



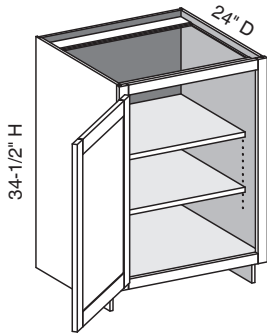
Custom Size Ranges
Width: 24" – 36"
Height: 31-1/2" – 34-1/2"
Depth: 18" – 30"

- 6-3/4" high apron conceals sink bowl, accomodates hinges and matches cabinet interior.
- Specify single or butt doors on custom size cabinets 24" wide.

Cabinet Code	
BSFD2434.5BD	BSFD3334.5BD
BSFD2734.5BD	BSFD3634.5BD
BSFD3034.5BD	

Options Key: EXP = Exposed End(s) FL = Flush End(s) FUE = Flush Unexposed End(s) SS = Shaped Side PFD = Prep for False Door
EXT = Extended Stile(s) FT = Flush Toe SBR = Shaped Bottom Rail LE = Leg Extension TSS = Toe Space Side OS = Omit Shelving
NSH = No Shelf Holes WS = Solid Wood Shelves MI = Matching Interior DT = Dust Top NB = Natural Finished Bottom

BFD/CSBFD - Base Full Door



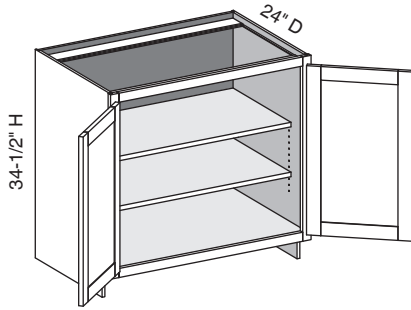
EXP	FL	FUE	SS	PFD	EXT	FT	SBR	LE	TSS	OS	NSH	WS	MI	DT	NB
✓	✓	✓	✓	✓	✓	✓	✓	✓	✓	✓	✓	✓	✓	✓	

Custom Size Ranges
 Width: 9" – 24"
 Height: 10" – 48"
 Depth: 5-1/2" – 30"

- BFD0934.5 does not get shelves.
- 10" – 22" high has no shelves.
- 22-1/16" – 28" high has one shelf.
- 28-1/16" – 40" high has two shelves.
- 40-1/16" – 48" high has three shelves.
- Specify single or butt doors on custom size cabinets 24" wide.

Cabinet Code	
BFD0934.5	BFD1834.5
BFD1234.5	BFD2134.5
BFD1534.5	BFD2434.5

BFD/CSBFD - Base Full Door w/Butt Doors



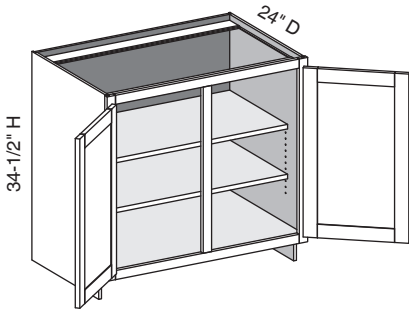
EXP	FL	FUE	SS	PFD	EXT	FT	SBR	LE	TSS	OS	NSH	WS	MI	DT	NB
✓	✓	✓	✓	✓	✓	✓	✓	✓	✓	✓	✓	✓	✓	✓	

Custom Size Ranges
 Width: 24" – 36"
 Height: 10" – 48"
 Depth: 5-1/2" – 30"

- 10" – 22" high has no shelves.
- 22-1/16" – 28" high has one shelf.
- 28-1/16" – 40" high has two shelves.
- 40-1/16" – 48" high has three shelves.
- Specify single or butt doors on custom size cabinets 24" wide.

Cabinet Code	
BFD2434.5BD	BFD3334.5BD
BFD2734.5BD	BFD3634.5BD
BFD3034.5BD	

BFD/CSBFD - Base Full Door w/Center Stile



EXP	FL	FUE	SS	PFD	EXT	FT	SBR	LE	TSS	OS	NSH	WS	MI	DT	NB
✓	✓	✓	✓	✓	✓	✓	✓	✓	✓	✓	✓	✓	✓	✓	

Custom Size Ranges
 Width: 27" – 48"
 Height: 10" – 48"
 Depth: 5-1/2" – 30"

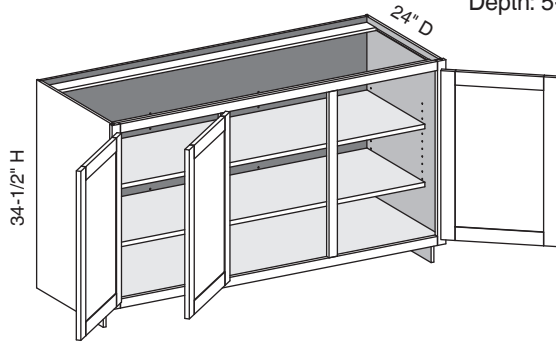
- 10" – 22" high has no shelves.
- 22-1/16" – 28" high has one shelf.
- 28-1/16" – 40" high has two shelves.
- 40-1/16" – 48" high has three shelves.

Cabinet Code	
BFD2734.5	BFD3934.5
BFD3034.5	BFD4234.5
BFD3334.5	BFD4534.5
BFD3634.5	BFD4834.5

Options Key: EXP = Exposed End(s) FL = Flush End(s) FUE = Flush Unexposed End(s) SS = Shaped Side PFD = Prep for False Door
 EXT = Extended Stile(s) FT = Flush Toe SBR = Shaped Bottom Rail LE = Leg Extension TSS = Toe Space Side OS = Omit Shelving
 NSH = No Shelf Holes WS = Solid Wood Shelves MI = Matching Interior DT = Dust Top NB = Natural Finished Bottom

BFD/CSBFD2CS - Base Full Door w/Two Center Stiles

EXP	FL	FUE	SS	PFD	EXT	FT	SBR	LE	TSS	OS	NSH	WS	MI	DT	NB
✓	✓	✓	✓	✓	✓	✓	✓	✓	✓	✓	✓		✓	✓	



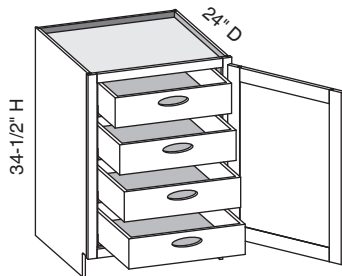
Custom Size Ranges
 Width: 48" – 72"
 Height: 10" – 42"
 Depth: 5-1/2" – 30"

- Additional shelf holes are provided in cabinet back to support wide shelves.
- Doors hinged on center stile require 1/2" overlay hinges for 1-1/4" or 1-3/8" overlay.
- 10" – 22" high has no shelves.
- 22-1/16" – 28" high has one shelf.
- 28-1/16" – 40" high has two shelves.
- 40-1/16" – 48" high has three shelves.

Cabinet Code	
BFD5134.5	BFD6334.5
BFD5434.5	BFD6634.5
BFD5734.5	BFD6934.5
BFD6034.5	BFD7234.5

BFDRO/CSBFDRO - Base Full Door Roll-Out

EXP	FL	FUE	SS	PFD	EXT	FT	SBR	LE	TSS	OS	NSH	WS	MI	DT	NB
✓	✓	✓	✓	✓	✓	✓	✓	✓	✓	STD	STD			STD	



Custom Size Ranges
 Width: 12" – 24"
 Height: 31-1/2" – 34-1/2"
 Depth: 12", 15", 18",
 21", 24", 27", 30"

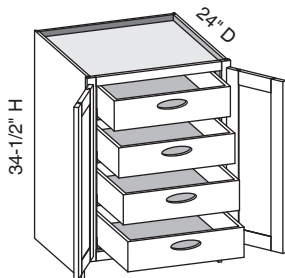
- Units are configured with four 5" high drawer boxes. Interior panels are pre-drilled for drawer slide placement and installation.
- Roll-out drawers include hand pulls. Specify Standard, Circle or Ellipse pull (shown).

Cabinet Code	
BFDRO1234.5	BFDRO2134.5
BFDRO1534.5	BFDRO2434.5
BFDRO1834.5	

Options Key: EXP = Exposed End(s) FL = Flush End(s) FUE = Flush Unexposed End(s) SS = Shaped Side PFD = Prep for False Door
 EXT = Extended Stile(s) FT = Flush Toe SBR = Shaped Bottom Rail LE = Leg Extension TSS = Toe Space Side OS = Omit Shelving
 NSH = No Shelf Holes WS = Solid Wood Shelves MI = Matching Interior DT = Dust Top NB = Natural Finished Bottom

BFDRO/CSBFDRO - Base Full Door Roll-Out w/Butt Doors

EXP	FL	FUE	SS	PFD	EXT	FT	SBR	LE	TSS	OS	NSH	WS	MI	DT	NB
✓	✓	✓	✓	✓	✓	✓	✓	✓	✓	STD	STD			STD	



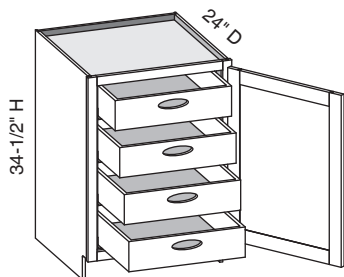
Custom Size Ranges
 Width: 24" – 36"
 Height: 31-1/2" – 34-1/2"
 Depth: 12", 15", 18",
 21", 24", 27", 30"

- Units are configured with four 5" high drawer boxes. Interior panels are pre-drilled for drawer slide placement and installation.
- Roll-out drawers include hand pulls. Specify Standard, Circle or Ellipse (shown) pull.

Cabinet Code	
BFDRO2434.5BD	BFDRO3334.5BD
BFDRO2734.5BD	BFDRO3634.5BD
BFDRO3034.5BD	

BFDROI/CSBFDROI - Base Full Door Roll-Out Inset

EXP	FL	FUE	SS	PFD	EXT	FT	SBR	LE	TSS	OS	NSH	WS	MI	DT	NB
✓	✓	✓	✓	✓	✓	✓	✓	✓	✓	STD	STD			STD	



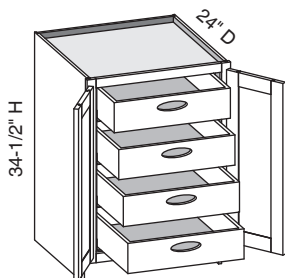
Custom Size Ranges
 Width: 15" – 24"
 Height: 31-1/2" –
 34-1/2"
 Depth: 12", 15", 18",
 21", 24", 27",
 30"

- Specifically designed for inset application.
- Units are configured with four 5" high drawer boxes. Interior panels are pre-drilled for drawer slide placement and installation.
- Drawer slides are 3" less than the depth of the cabinet to accommodate inset doors and hardware.
- Roll-out drawers include hand pulls. Specify Standard, Circle or Ellipse (shown) pull.

Cabinet Code	
BFDROI1534.5	BFDROI2134.5
BFDROI1834.5	BFDROI2434.5

BFDROI/CSBFDROI - Base Full Door Roll-Out Inset w/Butt Doors

EXP	FL	FUE	SS	PFD	EXT	FT	SBR	LE	TSS	OS	NSH	WS	MI	DT	NB
✓	✓	✓	✓	✓	✓	✓	✓	✓	✓	STD	STD			STD	



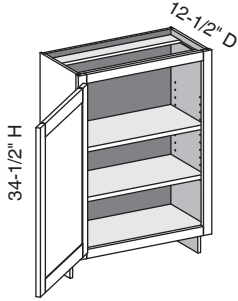
Custom Size Ranges
 Width: 24" – 36"
 Height: 31-1/2" – 34-1/2"
 Depth: 12", 15", 18",
 21", 24", 27", 30"

- Specifically designed for inset application.
- Units are configured with four 5" high drawer boxes. Interior panels are pre-drilled for drawer slide placement and installation.
- Drawer slides are 3" less than the depth of the cabinet to accommodate inset doors and hardware.
- Roll-out drawers include hand pulls. Specify Standard, Circle or Ellipse (shown) pull.

Cabinet Code	
BFDROI2434.5BD	BFDROI3334.5BD
BFDROI2734.5BD	BFDROI3634.5BD
BFDROI3034.5BD	

Options Key: EXP = Exposed End(s) FL = Flush End(s) FUE = Flush Unexposed End(s) SS = Shaped Side PFD = Prep for False Door
 EXT = Extended Stile(s) FT = Flush Toe SBR = Shaped Bottom Rail LE = Leg Extension TSS = Toe Space Side OS = Omit Shelving
 NSH = No Shelf Holes WS = Solid Wood Shelves MI = Matching Interior DT = Dust Top NB = Natural Finished Bottom

BWD/CSBFD - Base Wall Depth



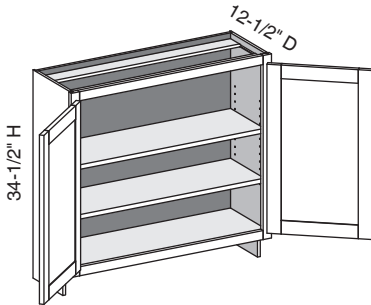
EXP	FL	FUE	SS	PFD	EXT	FT	SBR	LE	TSS	OS	NSH	WS	MI	DT	NB
✓	✓	✓		✓	✓	✓	✓	✓		✓	✓	✓	✓	✓	

Custom Size Ranges
Width: 9" – 24"
Height: 10" – 48"
Depth: 5-1/2" – 30"

- 10" – 22" high has no shelves.
- 22-1/16" – 28" high has one shelf.
- 28-1/16" – 40" high has two shelves.
- 40-1/16" – 48" high has three shelves.
- Specify single or butt doors on custom size cabinets 24" wide.

Cabinet Code	
BWD1234.5	BWD2134.5
BWD1534.5	BWD2434.5
BWD1834.5	

BWD/CSBFD - Base Wall Depth w/Butt Doors



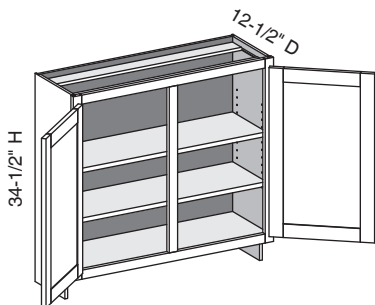
EXP	FL	FUE	SS	PFD	EXT	FT	SBR	LE	TSS	OS	NSH	WS	MI	DT	NB
✓	✓	✓		✓	✓	✓	✓	✓		✓	✓	✓	✓	✓	

Custom Size Ranges
Width: 24" – 36"
Height: 10" – 48"
Depth: 5-1/2" – 30"

- 10" – 22" high has no shelves.
- 22-1/16" – 28" high has one shelf.
- 28-1/16" – 40" high has two shelves.
- 40-1/16" – 48" high has three shelves.
- Specify single or butt doors on custom size cabinets 24" wide.

Cabinet Code	
BWD2434.5BD	BWD3334.5BD
BWD2734.5BD	BWD3634.5BD
BWD3034.5BD	

BWD/CSBFD - Base Wall Depth w/Center Stile



EXP	FL	FUE	SS	PFD	EXT	FT	SBR	LE	TSS	OS	NSH	WS	MI	DT	NB
✓	✓	✓		✓	✓	✓	✓	✓		✓	✓	✓	✓	✓	

Custom Size Ranges
Width: 27" – 48"
Height: 10" – 48"
Depth: 5-1/2" – 30"

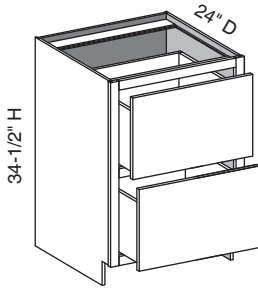
- 10" – 22" high has no shelves.
- 22-1/16" – 28" high has one shelf.
- 28-1/16" – 40" high has two shelves.
- 40-1/16" – 48" high has three shelves.

Cabinet Code	
BWD2734.5	BWD3934.5
BWD3034.5	BWD4234.5
BWD3334.5	BWD4534.5
BWD3634.5	BWD4834.5

Options Key: EXP = Exposed End(s) FL = Flush End(s) FUE = Flush Unexposed End(s) SS = Shaped Side PFD = Prep for False Door
EXT = Extended Stile(s) FT = Flush Toe SBR = Shaped Bottom Rail LE = Leg Extension TSS = Toe Space Side OS = Omit Shelving
NSH = No Shelf Holes WS = Solid Wood Shelves MI = Matching Interior DT = Dust Top NB = Natural Finished Bottom

B2D/CSB2D - Base Two Drawer

EXP	FL	FUE	SS	PFD	EXT	FT	SBR	LE	TSS	OS	NSH	WS	MI	DT	NB
✓	✓	✓	✓	✓	✓	✓	✓	✓	✓	STD	STD			✓	



Custom Size Ranges
 Width: 12" – 39"
 Height: 31-1/2" – 34-1/2"
 Depth: 12", 15", 18", 21",
 24", 27", 30"

- When height changes, both drawer heights are equal.

Cabinet Code

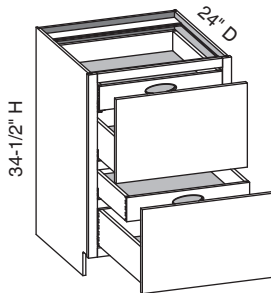
B2D1234.5	B2D2734.5
B2D1534.5	B2D3034.5
B2D1834.5	B2D3334.5
B2D2134.5	B2D3634.5
B2D2434.5	B2D3934.5

6

Base Cabinets

B2DRO/CSB2DRO - Base Two Drawer Roll-Out

EXP	FL	FUE	SS	PFD	EXT	FT	SBR	LE	TSS	OS	NSH	WS	MI	DT	NB
✓	✓	✓	✓	✓	✓	✓	✓	✓	✓	STD	STD		✓	✓	



Custom Size Ranges
 Width: 12" – 39"
 Height: 31-1/2" – 34-1/2"
 Depth: 12", 15", 18", 21",
 24", 27", 30"

- Units are configured with 4" high roll-out drawers over 6" high conventional drawer box in each opening.
- Roll-out drawers include hand pulls. Specify Standard, Circle or Ellipse pull (shown).
- When height changes, both drawer heights are equal.

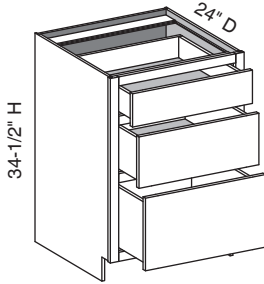
Cabinet Code

B2DRO1234.5	B2DRO2734.5
B2DRO1534.5	B2DRO3034.5
B2DRO1834.5	B2DRO3334.5
B2DRO2134.5	B2DRO3634.5
B2DRO2434.5	B2DRO3934.5

Options Key: EXP = Exposed End(s) FL = Flush End(s) FUE = Flush Unexposed End(s) SS = Shaped Side PFD = Prep for False Door
 EXT = Extended Stile(s) FT = Flush Toe SBR = Shaped Bottom Rail LE = Leg Extension TSS = Toe Space Side OS = Omit Shelving
 NSH = No Shelf Holes WS = Solid Wood Shelves MI = Matching Interior DT = Dust Top NB = Natural Finished Bottom

B3D/CSB3D - Base Three Drawer

EXP	FL	FUE	SS	PFD	EXT	FT	SBR	LE	TSS	OS	NSH	WS	MI	DT	NB
✓	✓	✓	✓	✓	✓	✓	✓	✓	✓	STD	STD			✓	



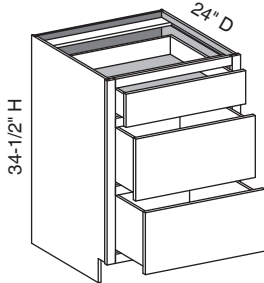
Custom Size Ranges
 Width: 12" – 39"
 Height: 31-1/2" – 34-1/2"
 Depth: 12", 15", 18", 21",
 24", 27", 30"

- When height changes, lower opening height changes. Upper and middle opening heights fixed at 5" and 8".

Cabinet Code	
B3D1234.5	B3D2734.5
B3D1534.5	B3D3034.5
B3D1834.5	B3D3334.5
B3D2134.5	B3D3634.5
B3D2434.5	B3D3934.5

B3DEH/CSB3DEH - Base Three Drawer w/Two Equal Height Lower Drawers

EXP	FL	FUE	SS	PFD	EXT	FT	SBR	LE	TSS	OS	NSH	WS	MI	DT	NB
✓	✓	✓	✓	✓	✓	✓	✓	✓	✓	STD	STD			✓	

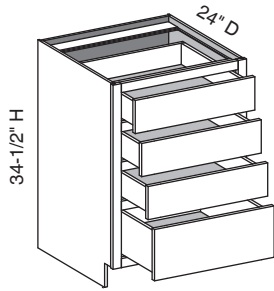


Custom Size Ranges
 Width: 12" – 39"
 Height: 31-1/2" – 34-1/2"
 Depth: 12", 15", 18",
 21", 24", 27", 30"

- When height changes, both lower opening height changes. Upper opening height fixed at 5".

Cabinet Code	
B3DEH1234.5	B3DEH2734.5
B3DEH1534.5	B3DEH3034.5
B3DEH1834.5	B3DEH3334.5
B3DEH2134.5	B3DEH3634.5
B3DEH2434.5	B3DEH3934.5

B4D/CSB4D - Base Four Drawer



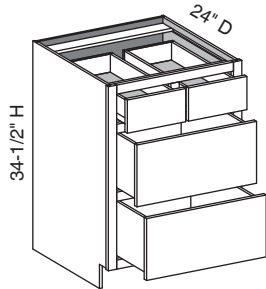
EXP	FL	FUE	SS	PFD	EXT	FT	SBR	LE	TSS	OS	NSH	WS	MI	DT	NB
✓	✓	✓	✓	✓	✓	✓	✓	✓	✓	STD	STD		✓	✓	

Custom Size Ranges
 Width: 12" – 39"
 Height: 31-1/2" – 34-1/2"
 Depth: 12", 15", 18", 21",
 24", 27", 30"

- When height changes, lower opening height changes. Upper opening height fixed at 5".

Cabinet Code	
B4D1234.5	B4D2134.5
B4D1534.5	B4D2434.5
B4D1834.5	B4D2734.5

B4D2S2EH/CSB4D2S2EH - Base Four Drawer w/Two Side by Side Equal Height Lower Drawers



EXP	FL	FUE	SS	PFD	EXT	FT	SBR	LE	TSS	OS	NSH	WS	MI	DT	NB
✓	✓	✓	✓	✓	✓	✓	✓	✓	✓	STD	STD		✓	✓	

Custom Size Ranges
 Width: 30" – 39"
 Height: 31-1/2" – 34-1/2"
 Depth: 12", 15", 18",
 21", 24", 27", 30"

- When height changes, both lower opening heights change. Upper opening height fixed at 5".

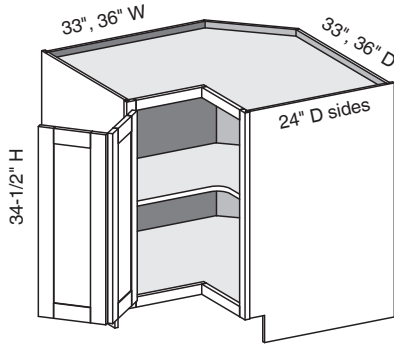
Cabinet Code	
B4D2S2EH3034.5	B4D2S2EH3634.5
B4D2S2EH3334.5	B4D2S2EH3934.5

Options Key: EXP = Exposed End(s) FL = Flush End(s) FUE = Flush Unexposed End(s) SS = Shaped Side PFD = Prep for False Door
 EXT = Extended Stile(s) FT = Flush Toe SBR = Shaped Bottom Rail LE = Leg Extension TSS = Toe Space Side OS = Omit Shelving
 NSH = No Shelf Holes WS = Solid Wood Shelves MI = Matching Interior DT = Dust Top NB = Natural Finished Bottom

BCP/CSBCP – Base Corner Pie Cut

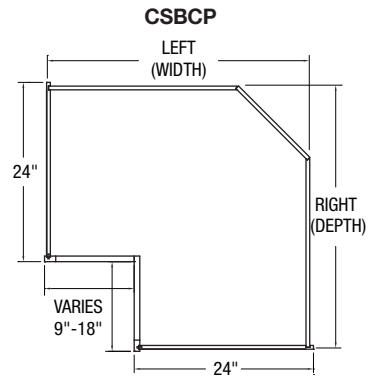
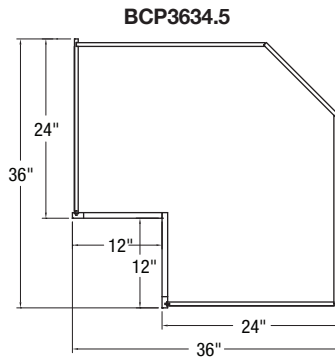
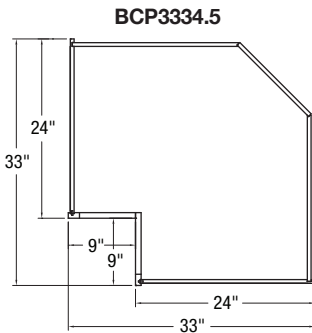
EXP	FL	FUE	SS	PFD	EXT	FT	SBR	LE	TSS	OS	NSH	WS	MI	DT	NB
✓	✓	✓		✓	✓	✓				✓	✓		✓	STD	

Custom Size Ranges
Width: 33" – 42"
Height: 31-1/2" – 42"
Depth: 33" – 42"



- Plywood shelf standard; wood shelf upgrade available on BCP3634.5 only.
- Shelf mounted wood susan shelves are available. See Section 10 – Accessories.
- CSBCP available with custom size legs. Specified width (left dimension) and depth (right dimension). Side dimension remains fixed; front frame pie cut opening adjusts as size changes.
- Minimum entry opening width required for BCP3634.5 is 35" (doorways, hallways etc.).
- When hinges are ordered in 1-1/4" and 1-3/8" overlay applications, cabinets will have their door sized as 1/2" overlay in width only.
- If hinges are not specified, 1-1/4" and 1-3/8" overlay sizing rules apply. These overlays require adequate clearance for door functionality between corner and adjacent cabinets. Use filler or extended stiles accordingly.
- Optional Soss hinges available.

Cabinet Code
BCP3334.5
BCP3634.5

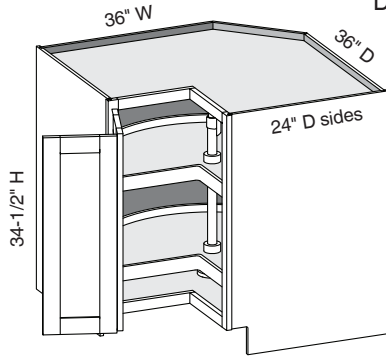


Options Key: EXP = Exposed End(s) FL = Flush End(s) FUE = Flush Unexposed End(s) SS = Shaped Side PFD = Prep for False Door
EXT = Extended Stile(s) FT = Flush Toe SBR = Shaped Bottom Rail LE = Leg Extension TSS = Toe Space Side OS = Omit Shelving
NSH = No Shelf Holes WS = Solid Wood Shelves MI = Matching Interior DT = Dust Top NB = Natural Finished Bottom

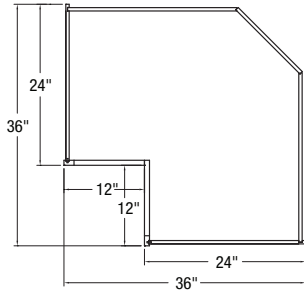
BCPLS – Base Corner Pie Cut Lazy Susan

EXP	FL	FUE	SS	PFD	EXT	FT	SBR	LE	TSS	OS	NSH	WS	MI	DT	NB
✓	✓	✓		✓	✓	✓				✓	STD		✓	STD	

Custom Size Ranges
 Width: 36"
 Height: 34-1/2"
 Depth: 36"



BCPLS3634.5



- Cabinet top and bottom is pre-drilled to accept hub assembly. Location and installation are greatly simplified.
- Cabinet includes 32" diameter entry level plastic susan with two independently rotating kidney shelves mounted on a center pole.
- White susan shelves feature a self-lubricating nylon bearing and tool-free height adjustment.
- Height customization is not available due to susan size constraints.
- Minimum entry opening width required is 35" (doorways, hallways, etc.).
- When hinges are ordered in 1-1/4" and 1-3/8" overlay applications, cabinets will have their door sized as 1/2" overlay in width only.
- If hinges are not specified, 1-1/4" and 1-3/8" overlay sizing rules apply. These overlays require adequate clearance for door functionality between corner and adjacent cabinets. Use filler or extended stiles accordingly.
- Not available with inset applications.
- Optional Soss hinges available.

Cabinet Code

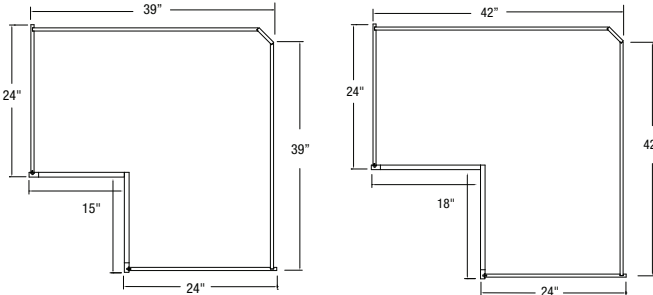
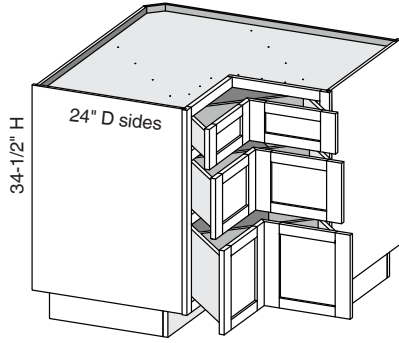
BCPLS3634.5

Options Key: EXP = Exposed End(s) FL = Flush End(s) FUE = Flush Unexposed End(s) SS = Shaped Side PFD = Prep for False Door
 EXT = Extended Stile(s) FT = Flush Toe SBR = Shaped Bottom Rail LE = Leg Extension TSS = Toe Space Side OS = Omit Shelving
 NSH = No Shelf Holes WS = Solid Wood Shelves MI = Matching Interior DT = Dust Top NB = Natural Finished Bottom

BCP3D/CSBCP3D – Base Corner Pie Cut Three Drawer

EXP	FL	FUE	SS	PFD	EXT	FT	SBR	LE	TSS	OS	NSH	WS	MI	DT	NB
✓	✓	✓		✓	✓									STD	

Custom Size Ranges
Width: 39", 42"
Height: 31-1/2" – 34-1/2"
Depth: 39", 42"



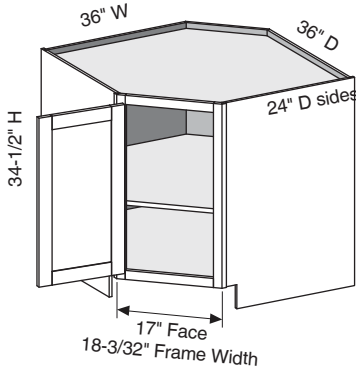
- 1-1/4" and 1-3/8" overlay applications will have their drawer fronts sized as 1/2" overlay in width only.
- Not available with inset applications.
- Not available with miter drawer front.
- Cabinet includes corner drawer boxes with back extensions.
- Each drawer front comes as two separate pieces using edge profile L151 (45 degrees) standard to form the mitered inside corner.
- 5-piece drawer fronts, one stile on each will be 3/4" wider on the mitered edge to form the inside corner. Wide framing upcharges will apply.
- Exterior edge profiles can be specified to match adjacent cabinetry.
- Customizable in height only.
- When height changes, lower opening height changes. Upper and middle opening heights fixed at 5" and 8".
- Separate 4" high toe platform is standard to aid in passing through doorways.
- Minimum entry opening with width required is 35" (doorways, hallways, etc.).

Cabinet Code
BCP3D3934.5
BCP3D4234.5

BCFD/CSBCFD - Base Corner Full Door

EXP	FL	FUE	SS	PFD	EXT	FT	SBR	LE	TSS	OS	NSH	WS	MI	DT	NB
✓	✓	✓				✓	✓			✓	✓		✓	STD	

Custom Size Ranges
Width: 36"
Height: 31-1/2" – 42"
Depth: 36"



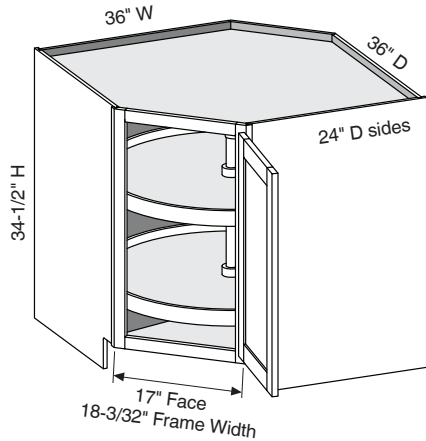
- Shelf standard.
- Shelf mounted wood susan shelves are available. See Section 10 – Accessories.
- Minimum entry opening width required is 35" (doorways, hallways, etc.).
- When ordered in 1-1/4" and 1-3/8" overlay applications (with or without hinges), cabinets will have their door sized as 1/2" overlay in width only to ensure adequate clearance.
- Use filler or extended stiles accordingly.

Cabinet Code
BCFD3634.5

Options Key: EXP = Exposed End(s) FL = Flush End(s) FUE = Flush Unexposed End(s) SS = Shaped Side PFD = Prep for False Door
EXT = Extended Stile(s) FT = Flush Toe SBR = Shaped Bottom Rail LE = Leg Extension TSS = Toe Space Side OS = Omit Shelving
NSH = No Shelf Holes WS = Solid Wood Shelves MI = Matching Interior DT = Dust Top NB = Natural Finished Bottom

BCFDLS - Base Corner Full Door w/ Lazy Susan

EXP	FL	FUE	SS	PFD	EXT	FT	SBR	LE	TSS	OS	NSH	WS	MI	DT	NB
✓	✓	✓				✓	✓			STD	STD		✓	STD	



Custom Size Ranges
 Width: 36"
 Height: 34-1/2"
 Depth: 36"

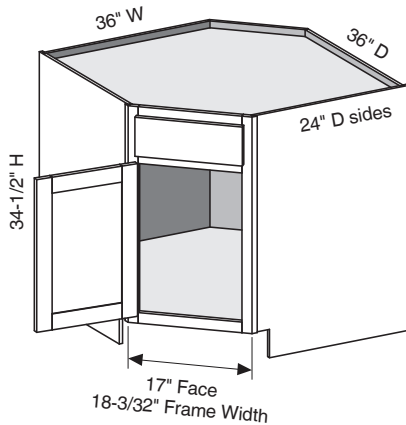
- Cabinet top and bottom is pre-drilled to accept hub assembly. Location and installation are greatly simplified.
- Cabinet includes 32" diameter entry level plastic susan with two independently rotating shelves mounted on a center pole.
- White susan shelves-feature a self-lubricating nylon bearing and tool-free height adjustment.
- Size customization is not available due to susan size constraints.
- Minimum entry opening width required is 35" (doorways, hallways, etc.).
- When ordered in 1-1/4" and 1-3/8" overlay applications (with or without hinges), cabinets will have their door sized as 1/2" overlay in width only to ensure clearance.
- Not available with inset applications.

Cabinet Code

BCFDLS 3634.5

BSC/CSBSC - Base Sink Corner

EXP	FL	FUE	SS	PFD	EXT	FT	SBR	LE	TSS	OS	NSH	WS	MI	DT	NB
✓	✓	✓				✓	✓			STD	STD		✓	STD	



Custom Size Ranges
 Width: 36"
 Height: 31-1/2" – 42"
 Depth: 36"

- False drawer front.
- Minimum entry opening width required is 35" (doorways, hallways, etc.).
- When ordered in 1-1/4" and 1-3/8" overlay applications (with or without hinges), cabinets will have their door sized as 1/2" overlay in width only to ensure adequate clearance.

Cabinet Code

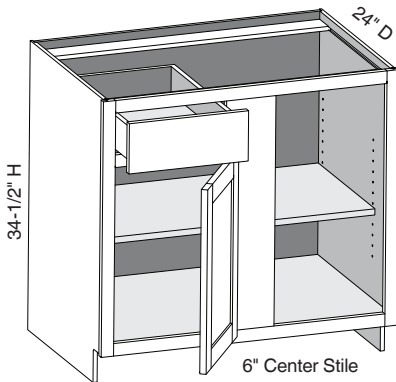
BSC3634.5

Options Key: EXP = Exposed End(s) FL = Flush End(s) FUE = Flush Unexposed End(s) SS = Shaped Side PFD = Prep for False Door
 EXT = Extended Stile(s) FT = Flush Toe SBR = Shaped Bottom Rail LE = Leg Extension TSS = Toe Space Side OS = Omit Shelving
 NSH = No Shelf Holes WS = Solid Wood Shelves MI = Matching Interior DT = Dust Top NB = Natural Finished Bottom

BBCR/CSBBCR – Base Blind Cabinet Blind Right

EXP	FL	FUE	SS	PFD	EXT	FT	SBR	LE	TSS	OS	NSH	WS	MI	DT	NB
✓	✓	✓		✓	✓	✓	✓	✓		✓	✓	✓	✓	✓	

Custom Size Ranges
 Width: 36" – 48"
 Height: 31-1/2" - 42"
 Depth: 12", 15", 18", 21", 24",
 27", 30"
 Functional opening: 12" – 21"



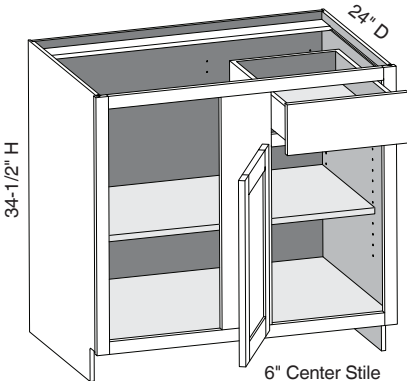
- Overall cabinet size is the actual width specified.
- Blind section is on the right.
- Specify functional opening width between 12" and 21".
- Door is always hinged on center stile for all overlays.
- When height changes, lower opening height changes. Drawer height fixed at 5".
- 1-1/4" and 1-3/8" overlay use 1/2" overlay hinges.
- Door height and adjacent reveal will follow overlay specified.
- Minimum exposed blind amount for all overlays is 2-1/2" to ensure adequate clearance for adjacent door and drawer function.
- Excessive hardware projection may require a greater amount of exposed blind. Design and install accordingly.

Cabinet Code	
BBCR3634.5	BBCR4534.5
BBCR3934.5	BBCR4834.5
BBCR4234.5	

BBCL/CSBBCL – Base Blind Cabinet Blind Left

EXP	FL	FUE	SS	PFD	EXT	FT	SBR	LE	TSS	OS	NSH	WS	MI	DT	NB
✓	✓	✓		✓	✓	✓	✓	✓		✓	✓	✓	✓	✓	

Custom Size Ranges
 Width: 36" – 48"
 Height: 31-1/2" - 42"
 Depth: 12", 15", 18", 21", 24",
 27", 30"
 Functional opening: 12" – 21"



- Overall cabinet size is the actual width specified.
- Blind section is on the left.
- Specify functional opening width between 12" and 21".
- Door is always hinged on center stile for all overlays.
- When height changes, lower opening height changes. Drawer height fixed at 5".
- 1-1/4" and 1-3/8" overlay use 1/2" overlay hinges.
- Door height and adjacent reveal will follow overlay specified.
- Minimum exposed blind amount for all overlays is 2-1/2" to ensure adequate clearance for adjacent door and drawer function.
- Excessive hardware projection may require a greater amount of exposed blind. Design and install accordingly.

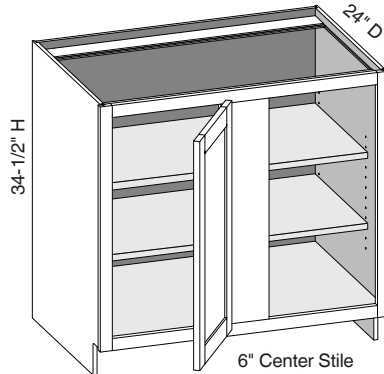
Cabinet Code	
BBCL3634.5	BBCL4534.5
BBCL3934.5	BBCL4834.5
BBCL4234.5	

Options Key: EXP = Exposed End(s) FL = Flush End(s) FUE = Flush Unexposed End(s) SS = Shaped Side PFD = Prep for False Door
 EXT = Extended Stile(s) FT = Flush Toe SBR = Shaped Bottom Rail LE = Leg Extension TSS = Toe Space Side OS = Omit Shelving
 NSH = No Shelf Holes WS = Solid Wood Shelves MI = Matching Interior DT = Dust Top NB = Natural Finished Bottom

BFDBCR/CSBFDBCR – Base Full Door Blind Cabinet Blind Right

EXP	FL	FUE	SS	PFD	EXT	FT	SBR	LE	TSS	OS	NSH	WS	MI	DT	NB
✓	✓	✓		✓	✓	✓	✓	✓		✓	✓	✓	✓	✓	

Custom Size Ranges
 Width: 36" – 48"
 Height: 31-1/2" - 42"
 Depth: 12" – 30"
 Functional opening: 12" – 21"



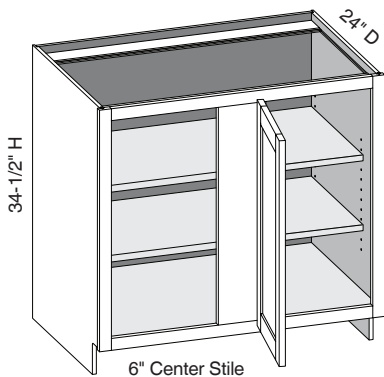
- Overall cabinet size is the actual width specified.
- Blind section is on the right.
- Specify functional opening width between 12" and 21".
- Door is always hinged on center stile for all overlays.
- 1-1/4" and 1-3/8" overlay use 1/2" overlay hinges.
- Door height and adjacent reveal will follow overlay specified.
- Minimum exposed blind amount for all overlays is 2-1/2" to ensure adequate clearance for adjacent door and drawer function.
- Excessive hardware projection may require a greater amount of exposed blind. Design and install accordingly.

Cabinet Code	
BFDBCR3634.5	BFDBCR4534.5
BFDBCR3934.5	BFDBCR4834.5
BFDBCR4234.5	

BFDBCL/CSBFDBCL – Base Full Door Blind Cabinet Blind Left

EXP	FL	FUE	SS	PFD	EXT	FT	SBR	LE	TSS	OS	NSH	WS	MI	DT	NB
✓	✓	✓		✓	✓	✓	✓	✓		✓	✓	✓	✓	✓	

Custom Size Ranges
 Width: 36" – 48"
 Height: 31-1/2" - 42"
 Depth: 12" – 30"
 Functional opening: 12" – 21"

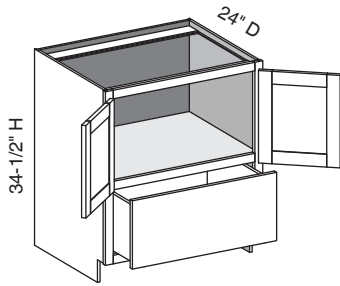


- Overall cabinet size is the actual width specified.
- Blind section is on the left.
- Specify functional opening width between 12" and 21".
- Door is always hinged on center stile for all overlays.
- 1-1/4" and 1-3/8" overlay use 1/2" overlay hinges.
- Door height and adjacent reveal will follow overlay specified.
- Minimum exposed blind amount for all overlays is 2-1/2" to ensure adequate clearance for adjacent door and drawer function.
- Excessive hardware projection may require a greater amount of exposed blind. Design and install accordingly.

Cabinet Code	
BFDBCL3634.5	BFDBCL4534.5
BFDBCL3934.5	BFDBCL4834.5
BFDBCL4234.5	

Options Key: EXP = Exposed End(s) FL = Flush End(s) FUE = Flush Unexposed End(s) SS = Shaped Side PFD = Prep for False Door
 EXT = Extended Stile(s) FT = Flush Toe SBR = Shaped Bottom Rail LE = Leg Extension TSS = Toe Space Side OS = Omit Shelving
 NSH = No Shelf Holes WS = Solid Wood Shelves MI = Matching Interior DT = Dust Top NB = Natural Finished Bottom

BCT/CSBCT - Base Cook Top w/Butt Doors



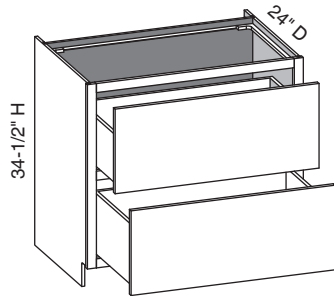
EXP	FL	FUE	SS	PFD	EXT	FT	SBR	LE	TSS	OS	NSH	WS	MI	DT	NB
✓	✓	✓	✓	✓	✓	✓	✓	✓	✓	STD	STD		✓		

Custom Size Ranges
Width: 30" – 42"
Height: 31-1/2" – 42"
Depth: 12", 15", 18",
21", 24", 27", 30"

- When height changes, upper opening height changes. Lower opening height fixed at 11-1/2".

Cabinet Code	
BCT3034.5BD	BCT3934.5BD
BCT3334.5BD	BCT4234.5BD
BCT3634.5BD	

BCT2D/CSBCT2D - Base Cook Top Two Drawer



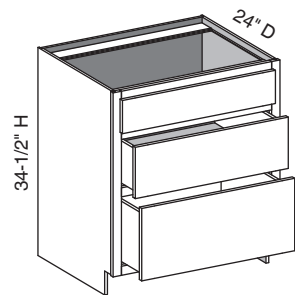
EXP	FL	FUE	SS	PFD	EXT	FT	SBR	LE	TSS	OS	NSH	WS	MI	DT	NB
✓	✓	✓	✓	✓	✓	✓	✓	✓	✓	STD	STD		✓		

Custom Size Ranges
Width: 36" – 48"
Height: 34-1/2"
Depth: 24", 27", 30"

- Designed for countertop mounted professional-style cooktops (non-down draft ventilation units).
- Cabinet back recessed 3" to accommodate and conceal supply lines. Drawer box depth is 3" less due to the recessed back.
- Top drawer box is 8" high to accommodate appliance housing. Bottom drawer box is 10" high.

Cabinet Code	
BCT2D3634.5	BCT2D4534.5
BCT2D3934.5	BCT2D4834.5
BCT2D4234.5	

BR3D/CSBR3D - Base Range Three Drawer



EXP	FL	FUE	SS	PFD	EXT	FT	SBR	LE	TSS	OS	NSH	WS	MI	DT	NB
✓	✓	✓	✓	✓	✓	✓	✓	✓	✓	STD	STD		✓		

Custom Size Ranges
Width: 30" – 39"
Height: 31-1/2" – 34-1/2"
Depth: 12", 15", 18",
21", 24", 27", 30"

- False top drawer front.
- When height changes, lower opening height changes. Upper drawer and middle opening heights fixed at 5" and 8".

Cabinet Code	
BR3D3034.5	
BR3D3634.5	

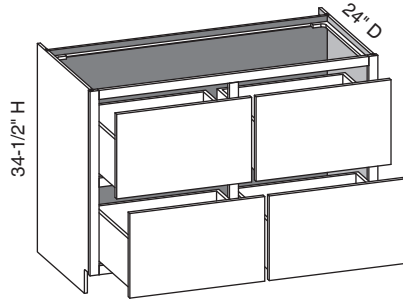
Options Key: EXP = Exposed End(s) FL = Flush End(s) FUE = Flush Unexposed End(s) SS = Shaped Side PFD = Prep for False Door
EXT = Extended Stile(s) FT = Flush Toe SBR = Shaped Bottom Rail LE = Leg Extension TSS = Toe Space Side OS = Omit Shelving
NSH = No Shelf Holes WS = Solid Wood Shelves MI = Matching Interior DT = Dust Top NB = Natural Finished Bottom

BCT4D/CSBCT4D - Base Cook Top Four Drawer

EXP	FL	FUE	SS	PFD	EXT	FT	SBR	LE	TSS	OS	NSH	WS	MI	DT	NB
✓	✓	✓	✓	✓	✓	✓	✓	✓	✓	STD	STD		✓		

Custom Size Ranges
 Width: 36" – 60"
 Height: 34-1/2"
 Depth: 24", 27", 30"

- Designed for countertop mounted professional-style cooktops (non-down draft ventilation units).
- When cabinet width changes, drawer front widths remain equal.
- Cabinet back recessed 3" to accommodate and conceal supply lines. Drawer box depth is 3" less due to the recessed back.
- Top drawer box is 8" high to accommodate appliance housing. Bottom drawer box is 10" high.



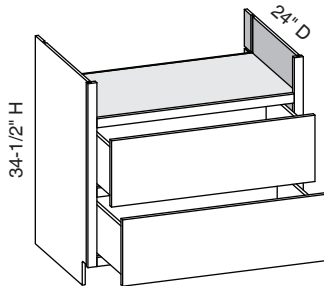
Cabinet Code	
BCT4D3634.5	BCT4D5134.5
BCT4D3934.5	BCT4D5434.5
BCT4D4234.5	BCT4D5734.5
BCT4D4534.5	BCT4D6034.5
BCT4D4834.5	

BRT2D/CSBRT2D - Base Range Top Two Drawer

EXP	FL	FUE	SS	PFD	EXT	FT	SBR	LE	TSS	OS	NSH	WS	MI	DT	NB
✓	✓	✓	✓	✓	✓	✓	✓	✓	✓	STD	STD		✓		

Custom Size Ranges
 Width: 36" – 48"
 Height: 34-1/2"
 Depth: 24", 27", 30"

- Designed for professional-style cooktop units.
- 6" high standard opening includes full floor to support appliance. Opening height is customizable from 5" to 8" in 1/16" increments.
- Cabinet back recessed 3" to accommodate and conceal supply lines. Drawer box depth is 3" less due to the recessed back.
- Both drawer boxes are 8" high.



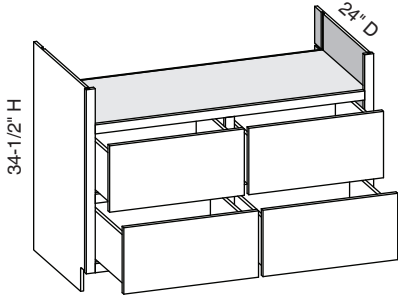
Cabinet Code	
BRT2D3634.5	BRT2D4534.5
BRT2D3934.5	BRT2D4834.5
BRT2D4234.5	

Options Key: EXP = Exposed End(s) FL = Flush End(s) FUE = Flush Unexposed End(s) SS = Shaped Side PFD = Prep for False Door
 EXT = Extended Stile(s) FT = Flush Toe SBR = Shaped Bottom Rail LE = Leg Extension TSS = Toe Space Side OS = Omit Shelving
 NSH = No Shelf Holes WS = Solid Wood Shelves MI = Matching Interior DT = Dust Top NB = Natural Finished Bottom

BRT4D/CSBRT4D - Base Range Top Four Drawer

EXP	FL	FUE	SS	PFD	EXT	FT	SBR	LE	TSS	OS	NSH	WS	MI	DT	NB
✓	✓	✓	✓	✓	✓	✓	✓	✓	✓	STD	STD		✓		

Custom Size Ranges
Width: 36" – 60"
Height: 34-1/2"
Depth: 24", 27", 30"

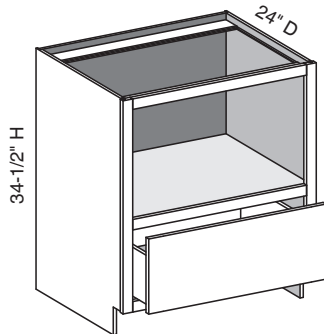


- Designed for professional-style cooktop units.
- 6" high standard opening includes full floor to support appliance. Opening height is customizable from 5" to 8" in 1/16" increments.
- When cabinet width changes, all drawer widths remain equal.
- Cabinet back is recessed 3" to conceal supply lines. Drawer box depth is also 3" less due to the recessed back.
- All drawer boxes are 8" high.

Cabinet Code	
BRT4D3634.5	BRT4D5134.5
BRT4D3934.5	BRT4D5434.5
BRT4D4234.5	BRT4D5734.5
BRT4D4534.5	BRT4D6034.5
BRT4D4834.5	

BUCM/CSBUCM - Base Under Counter Microwave

EXP	FL	FUE	SS	PFD	EXT	FT	SBR	LE	TSS	OS	NSH	WS	MI	DT	NB
✓	✓	✓	✓	✓	✓	✓	✓	✓	✓	STD	STD		✓		

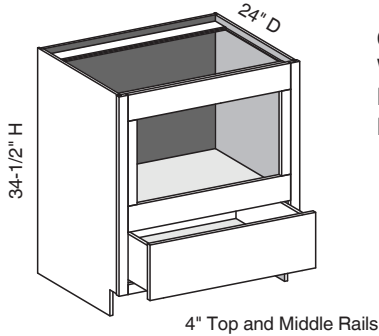


Custom Size Ranges
Width: 24" – 36"
Height: 31-1/2" – 42"
Depth: 12", 15", 18",
21", 24", 27", 30"

- For 34-1/2" high cabinets, top opening height is 15-3/4".
- When height changes, upper opening height changes. Lower opening height fixed at 10-1/4".

Cabinet Code
BUCM2434.5
BUCM2734.5
BUCM3034.5

BIUCM/CSBIUCM - Built-In Under Counter Microwave



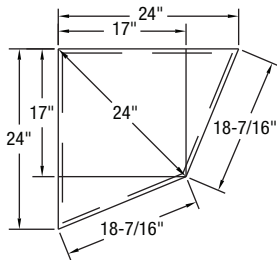
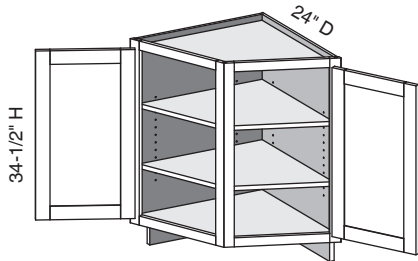
EXP	FL	FUE	SS	PFD	EXT	FT	SBR	LE	TSS	OS	NSH	WS	MI	DT	NB
✓	✓	✓	✓	✓	✓	✓	✓	✓	✓	STD	STD		✓	✓	

Custom Size Ranges
 Width: 24" – 36"
 Height: 31-1/2" – 42"
 Depth: 12", 15", 18",
 21", 24", 27", 30"

- Microwave opening is 13" high, width is 6" less than cabinet width.
- Microwave opening is trimmable up to 5" in height and 3" in width.
- For 34-1/2" high cabinets, top opening height is 13".
- When height changes, upper opening height changes. Lower opening height fixed at 8".

Cabinet Code	
BIUCM2734.5	BIUCM3334.5
BIUCM3034.5	BIUCM3634.5

BAE/CSBAE - Base Angle End



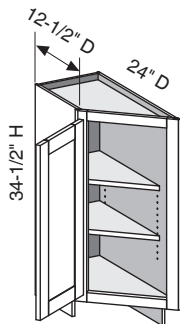
EXP	FL	FUE	SS	PFD	EXT	FT	SBR	LE	TSS	OS	NSH	WS	MI	DT	NB
						✓				✓	✓	✓	✓	STD	

Custom Size Ranges
 Width: 24"
 Height: 31-1/2" – 42"
 Depth: 24"

- Two 15" wide openings.
- 1-13/16" wide stiles outside, 1-5/8" wide stiles inside.

Cabinet Code
BAE2434.5

BEAL(R)/CSBEAL(R) - Base End Angle Left (or Right)



EXP	FL	FUE	SS	PFD	EXT	FT	SBR	LE	TSS	OS	NSH	WS	MI	DT	NB
✓	✓	✓				✓				✓	✓	✓	✓	STD	

Custom Size Ranges
 Width: 12"
 Height: 31-1/2" – 42"
 Depth: 24"

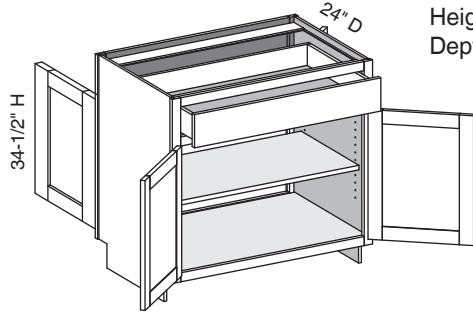
- Units are reversible right or left (left shown).
- 1-13/16" stile face width.
- Flush end available on 12-1/2" deep side.
- Exposed end available on 24" deep side.

Cabinet Code
BEAL1234.5
BEAR1234.5

Options Key: EXP = Exposed End(s) FL = Flush End(s) FUE = Flush Unexposed End(s) SS = Shaped Side PFD = Prep for False Door
 EXT = Extended Stile(s) FT = Flush Toe SBR = Shaped Bottom Rail LE = Leg Extension TSS = Toe Space Side OS = Omit Shelving
 NSH = No Shelf Holes WS = Solid Wood Shelves MI = Matching Interior DT = Dust Top NB = Natural Finished Bottom

BDE/CSBDE - Base Double Entry w/Butt Doors

EXP	FL	FUE	SS	PFD	EXT	FT	SBR	LE	TSS	OS	NSH	WS	MI	DT	NB
✓	✓	✓	✓	✓	✓	✓	✓	✓	✓	✓	✓		✓	✓	



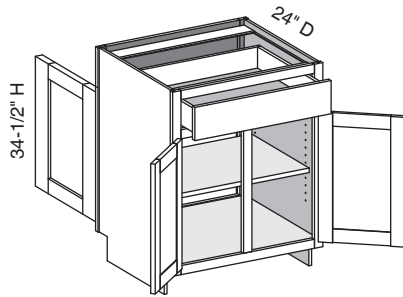
Custom Size Ranges
Width: 24" – 36"
Height: 31-1/2" – 42"
Depth: 12", 15", 18",
21", 24", 27", 30"

- One false drawer front on one side, functional top drawer on opposite side.
- When height changes, lower opening height changes. Drawer height fixed at 5".
- Specify single or butt doors on custom size cabinets 24" wide.

Cabinet Code	
BDE2434.5BD	BDE3034.5BD
BDE2734.5BD	BDE3634.5BD

BDE/CSBDE2D1D - Base Double Entry Two Door One Drawer

EXP	FL	FUE	SS	PFD	EXT	FT	SBR	LE	TSS	OS	NSH	WS	MI	DT	NB
✓	✓	✓	✓	✓	✓	✓	✓	✓	✓	✓	✓		✓	✓	



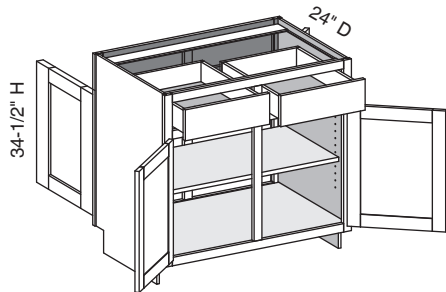
Custom Size Ranges
Width: 27" – 36"
Height: 31-1/2" – 42"
Depth: 12", 15", 18",
21", 24", 27", 30"

- One false drawer front on one side, functional top drawer on opposite side.
- When height changes, lower opening height changes. Drawer height fixed at 5".

Cabinet Code
BDE2734.5

BDE/CSBDECS - Base Double Entry w/Center Stile

EXP	FL	FUE	SS	PFD	EXT	FT	SBR	LE	TSS	OS	NSH	WS	MI	DT	NB
✓	✓	✓	✓	✓	✓	✓	✓	✓	✓	✓	✓		✓	✓	



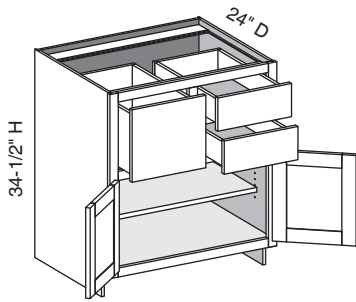
Custom Size Ranges
Width: 30" – 48"
Height: 31-1/2" – 42"
Depth: 12", 15", 18",
21", 24", 27", 30"

- Two false drawer fronts on one side, functional top drawer on opposite side.
- When height changes, lower opening height changes. Drawer height fixed at 5".

Cabinet Code	
BDE3034.5	BDE4234.5
BDE3634.5	BDE4834.5

Options Key: EXP = Exposed End(s) FL = Flush End(s) FUE = Flush Unexposed End(s) SS = Shaped Side PFD = Prep for False Door
EXT = Extended Stile(s) FT = Flush Toe SBR = Shaped Bottom Rail LE = Leg Extension TSS = Toe Space Side OS = Omit Shelving
NSH = No Shelf Holes WS = Solid Wood Shelves MI = Matching Interior DT = Dust Top NB = Natural Finished Bottom

BC3DL/CSBC3DL - Base Combo Three Drawer Left w/Butt Doors



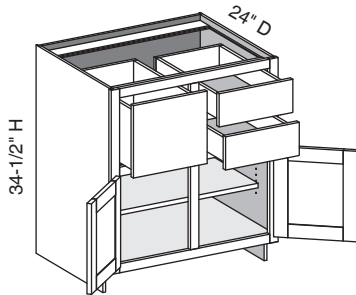
EXP	FL	FUE	SS	PFD	EXT	FT	SBR	LE	TSS	OS	NSH	WS	MI	DT	NB
✓	✓	✓	✓	✓	✓	✓	✓	✓	✓	✓	✓	✓	✓	✓	✓

Custom Size Ranges
 Width: 24" – 36"
 Height: 31-1/2" – 42"
 Depth: 12", 15", 18",
 21", 24", 27", 30"

- When height changes, lower opening height changes. Drawer opening height fixed at 5" and 11-1/2".
- When width changes, drawer opening widths remain equal.

Cabinet Code	
BC3DL2434.5BD	BC3DL3334.5BD
BC3DL2734.5BD	BC3DL3634.5BD
BC3DL3034.5BD	

BC3DL/CSBC3DLCS - Base Combo Three Drawer Left w/Center Stile



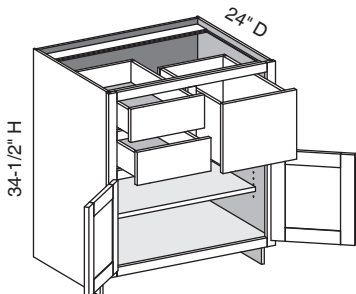
EXP	FL	FUE	SS	PFD	EXT	FT	SBR	LE	TSS	OS	NSH	WS	MI	DT	NB
✓	✓	✓	✓	✓	✓	✓	✓	✓	✓	✓	✓	✓	✓	✓	✓

Custom Size Ranges
 Width: 27" – 48"
 Height: 31-1/2" – 42"
 Depth: 12", 15", 18",
 21", 24", 27", 30"

- When height changes, lower opening height changes. Drawer opening height is fixed at 5" and 11-1/2".
- When width changes, drawer opening widths remain equal.

Cabinet Code	
BC3DL2734.5	BC3DL3334.5
BC3DL3034.5	BC3DL3634.5

BC3DR/CSBC3DR - Base Combo Three Drawer Right w/Butt Doors



EXP	FL	FUE	SS	PFD	EXT	FT	SBR	LE	TSS	OS	NSH	WS	MI	DT	NB
✓	✓	✓	✓	✓	✓	✓	✓	✓	✓	✓	✓	✓	✓	✓	✓

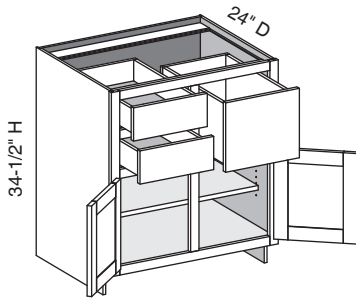
Custom Size Ranges
 Width: 24" – 36"
 Height: 31-1/2" – 42"
 Depth: 12", 15", 18",
 21", 24", 27", 30"

- When height changes, lower opening height changes. Drawer opening height is fixed at 5" and 11-1/2".
- When width changes, drawer opening widths remain equal.

Cabinet Code	
BC3DR2434.5BD	BC3DR3334.5BD
BC3DR2734.5BD	BC3DR3634.5BD
BC3DR3034.5BD	

Options Key: EXP = Exposed End(s) FL = Flush End(s) FUE = Flush Unexposed End(s) SS = Shaped Side PFD = Prep for False Door
 EXT = Extended Stile(s) FT = Flush Toe SBR = Shaped Bottom Rail LE = Leg Extension TSS = Toe Space Side OS = Omit Shelving
 NSH = No Shelf Holes WS = Solid Wood Shelves MI = Matching Interior DT = Dust Top NB = Natural Finished Bottom

BC3DR/CSBC3DRCS - Base Combo Three Drawer Right w/Center Stile



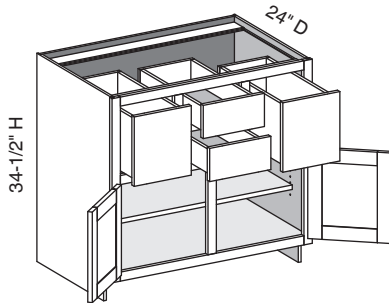
EXP	FL	FUE	SS	PFD	EXT	FT	SBR	LE	TSS	OS	NSH	WS	MI	DT	NB
✓	✓	✓	✓	✓	✓	✓	✓	✓	✓	✓	✓	✓	✓	✓	✓

Custom Size Ranges
 Width: 27" – 48"
 Height: 31-1/2" – 42"
 Depth: 12", 15", 18",
 21", 24", 27", 30"

- When height changes, lower opening height changes. Drawer opening height is fixed at 5" and 11-1/2".
- When width changes, drawer opening widths remain equal.

Cabinet Code	
BC3DR2734.5	BC3DR3334.5
BC3DR3034.5	BC3DR3634.5

BC4D/CSBC4DCS - Base Combo Four Drawer



EXP	FL	FUE	SS	PFD	EXT	FT	SBR	LE	TSS	OS	NSH	WS	MI	DT	NB
✓	✓	✓	✓	✓	✓	✓	✓	✓	✓	✓	✓	✓	✓	✓	✓

Custom Size Ranges
 Width: 36" – 48"
 Height: 31-1/2" – 42"
 Depth: 12", 15", 18",
 21", 24", 27", 30"

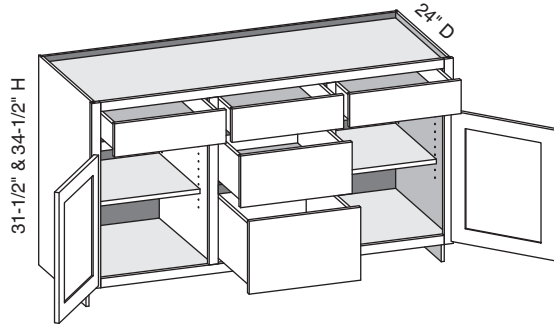
- When height changes, lower opening height changes. Drawer opening height is fixed at 5" and 11-1/2".
- When width changes, drawer opening widths remain equal.

Cabinet Code	
BC4D2434.5BD	BC4D3334.5BD
BC4D2734.5BD	BC4D3634.5BD
BC4D3034.5BD	

B2D5D/CSB2D5D - Base Two Door Five Drawer

EXP	FL	FUE	SS	PFD	EXT	FT	SBR	LE	TSS	OS	NSH	WS	MI	DT	NB
✓	✓	✓	✓	✓	✓	✓	✓	✓	✓	✓	✓	✓	✓	STD	

Custom Size Ranges
 Width: 48" – 96"
 Height: 31-1/2" – 34-1/2"
 Depth: 12", 15", 18"
 21", 24", 27", 30"



- Cabinet widths 48" to 72" have two doors; widths 60" to 96" have four butt doors.
- When height changes, lower opening height changes. Top drawer opening height fixed at 5". Middle drawer opening height fixed at 8".
- Doors hinged on center stile require 1/2" overlay hinges for 1-1/4" or 1-3/8" overlays.
- When width changes, all openings are configured equally.
- Fixed vertical partitions with independently adjustable shelves.

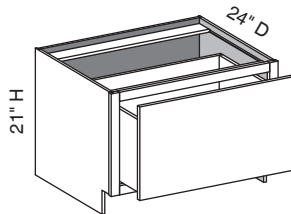
Cabinet Code – 2 Butt Doors	
B2D5D4834.5	B2D5D6334.5
B2D5D5134.5	B2D5D6634.5
B2D5D5434.5	B2D5D6934.5
B2D5D5734.5	B2D5D7234.5
B2D5D6034.5	

Cabinet Code – 4 Butt Doors	
B2D5D6034.5BD	B2D5D8134.5BD
B2D5D6334.5BD	B2D5D8434.5BD
B2D5D6634.5BD	B2D5D8734.5BD
B2D5D6934.5BD	B2D5D9034.5BD
B2D5D7234.5BD	B2D5D9334.5BD
B2D5D7534.5BD	B2D5D9634.5BD

B1D/CSB1D - Base One Drawer

EXP	FL	FUE	SS	PFD	EXT	FT	SBR	LE	TSS	OS	NSH	WS	MI	DT	NB
✓	✓	✓	✓	✓	✓	✓	✓	✓	✓	STD	STD		✓	✓	

Custom Size Ranges
 Width: 12" – 36"
 Height: 12" – 21"
 Depth: 12", 15", 18",
 21", 24", 27", 30"



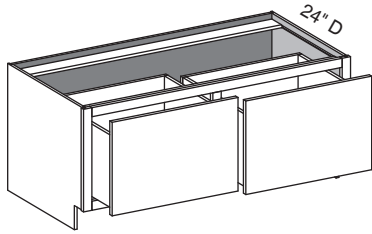
- When height changes, drawer box height changes proportionately.

Cabinet Code	
B1D1221	B1D2721
B1D1521	B1D3021
B1D1821	B1D3321
B1D2121	B1D3621
B1D2421	

Options Key: EXP = Exposed End(s) FL = Flush End(s) FUE = Flush Unexposed End(s) SS = Shaped Side PFD = Prep for False Door
 EXT = Extended Stile(s) FT = Flush Toe SBR = Shaped Bottom Rail LE = Leg Extension TSS = Toe Space Side OS = Omit Shelving
 NSH = No Shelf Holes WS = Solid Wood Shelves MI = Matching Interior DT = Dust Top NB = Natural Finished Bottom

B1D/CSB1DCS - Base One Drawer w/Center Stile

EXP	FL	FUE	SS	PFD	EXT	FT	SBR	LE	TSS	OS	NSH	WS	MI	DT	NB
✓	✓	✓	✓	✓	✓	✓	✓	✓	✓	STD	STD		✓	✓	



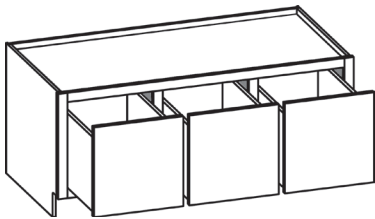
Custom Size Ranges
 Width: 30" – 48"
 Height: 12" – 21"
 Depth: 12", 15", 18",
 21", 24", 27", 30"

- When height changes, drawer box height changes proportionately.

21" High	
B1D3921	B1D4521
B1D4221	B1D4821

CSB1D2CS - Base One Drawer w/ 2 Center Stiles

EXP	FL	FUE	SS	PFD	EXT	FT	SBR	LE	TSS	OS	NSH	WS	MI	DT	NB
✓	✓	✓	✓	✓	✓	✓	✓	✓	✓	STD	STD		✓	STD	

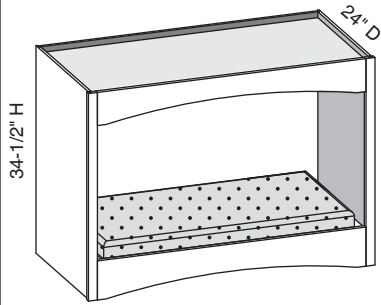


Custom Size Ranges
 Width: 36" – 96"
 Height: 12" – 21"
 Depth: 12", 15", 18",
 21", 24", 27", 30"

- When height changes, drawer box height changes proportionately.
- The width of the drawer fronts are equal. Face frame opening widths are adjusted accordingly based on selected door overlay to maintain published reveals.

Options Key: EXP = Exposed End(s) FL = Flush End(s) FUE = Flush Unexposed End(s) SS = Shaped Side PFD = Prep for False Door
 EXT = Extended Stile(s) FT = Flush Toe SBR = Shaped Bottom Rail LE = Leg Extension TSS = Toe Space Side OS = Omit Shelving
 NSH = No Shelf Holes WS = Solid Wood Shelves MI = Matching Interior DT = Dust Top NB = Natural Finished Bottom

BPU/CSBPU - Base Pet Unit



CWS4 – Roman Arch shown

EXP	FL	FUE	SS	PFD	EXT	FT	SBR	LE	TSS	OS	NSH	WS	MI	DT	NB
✓	✓	✓	✓	✓	✓	✓	✓	✓	✓	STD	STD		STD	STD	

Custom Size Ranges
 Width: 30" – 48"
 Height: 31-1/2" – 48"
 Depth: 15" – 24"

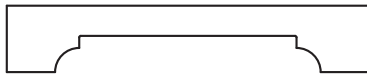
- Available with valance designs on top and bottom rails to order specify using CWS designations associated with the valance design.
- Top rail is 5-1/2" for all valance designs.
- If no valance design is selected, top rail is 1-1/2" high.
- Bottom rail is 6-1/2" high for all valance designs and Flush Toe Option. 1" rail extension provides a lip to keep pet bed in place (pet bed not included).
- When a toe kick is selected, bottom rail is 2-1/2" high.
- Minimum width is 15".



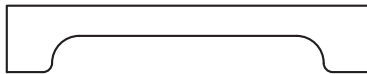
CWS4 – Roman Arch



CWS5 – Classic Arch



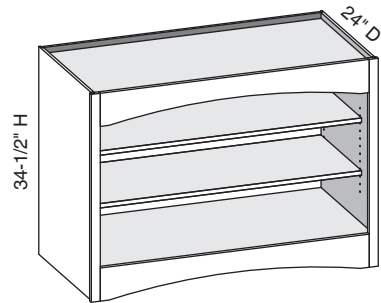
CWS6 – Elegant Arch



CWS7 – Traditional Arch

Cabinet Code	
BPU3034.5	BPU4234.5
BPU3334.5	BPU4534.5
BPU3634.5	BPU4834.5
BPU3934.5	

BOU/CSBOU - Base Open Unit

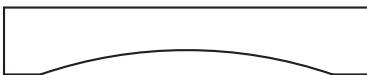


CWS4 – Roman Arch shown

EXP	FL	FUE	SS	PFD	EXT	FT	SBR	LE	TSS	OS	NSH	WS	MI	DT	NB
✓	✓	✓	✓	✓	✓	✓	✓	✓	✓	✓			STD	STD	

Custom Size Ranges
 Width: 15" – 48"
 Height: 31-1/2" – 48"
 Depth: 5-1/2" – 30"

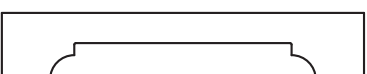
- Available with valance designs on top and bottom rails to order specify using CWS designations associated with the valance design.
- Top and bottom rails are 5-1/2" high for all valance designs and Flush Toe Option.
- If no valance design is selected, top rail is 1-1/2" high.
- When a toe kick is selected, bottom rail is 1-1/2" high.
- Minimum width is 15".



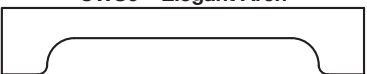
CWS4 – Roman Arch



CWS5 – Classic Arch



CWS6 – Elegant Arch



CWS7 – Traditional Arch

Cabinet Code	
BOU3034.5	BOU4234.5
BOU3334.5	BOU4534.5
BOU3634.5	BOU4834.5
BOU3934.5	

Options Key: EXP = Exposed End(s) FL = Flush End(s) FUE = Flush Unexposed End(s) SS = Shaped Side PFD = Prep for False Door
 EXT = Extended Stile(s) FT = Flush Toe SBR = Shaped Bottom Rail LE = Leg Extension TSS = Toe Space Side OS = Omit Shelving
 NSH = No Shelf Holes WS = Solid Wood Shelves MI = Matching Interior DT = Dust Top NB = Natural Finished Bottom