

Key Room Dimensions:
 Floor To Ceiling: 96"
 Top of Cabinet: 92"
 Counter Thickness: 1 1/4"

SHEET:	1	DATE:	3/8/2024
Customer:	Customer		
Value Design			

This design is the result of information that you, the customer, have provided to Cabinet Joint for the purpose of visualizing your cabinet layout before placing an order. It is the sole responsibility of the customer to verify all room dimensions, cabinet sizes, and appliance specifications before placing that order. If you would prefer to consult with a designer for a more detailed and customized drawing, we suggest you speak with your Cabinet Coach about our Pro Design Services.


CABINET JOINT
Finely crafted, fully custom RTA cabinetry
 Cabinet Coach: Cabinet Coach Ph. 888.211.6482

Cabinet/Door/Drawer Specifications: Flush Inset, TW-10 Door/Drawer (top Slab), Finish Varies

Perimeter Cabinet Schedule: Frosty White Colourtone

	ITEM CODE	WIDTH	HEIGHT	DEPTH	DESCRIPTION	CABINET OPTIONS/ACCESSORIES
1	CSW BD	36"	20"	24"	wall butt doors	EXTL
2	CSODB BD	32"	92"	24"	oven cabinet butt doors	FLR, FT
3	CSW	21 1/2"	38"	12 1/2"	wall single door	FLR
4	FX Range Hood	42"	26"	22 1/4"	hood	
5	CSW	21 1/2"	38"	12 1/2"	wall single door	FLL, EXTR
6	CSUCDRRO BD	33"	92"	24"	utility cabinet reverse roll out butt doors	FT, FLL, 1/2" EXTR
7	Custom Frame/Doors	23 1/4"	92"	3/4 "	integrated end panel	
8	CSB	24"	34 1/2"	24"	base single door	
9	CSBR3D	37"	34 1/2"	24"	base range three drawer	EXTR
10	CSBBCL	42"	34 1/2"	24"	base blind corner left	
11	CSASB BD	34"	34 1/2"	24"	apron sink base butt doors	
12	DWEP	1 1/2"	34 1/2"	24"	dish washer end panel	FT
13	CSB3D	18"	34 1/2"	24"	base three drawer	

Island Cabinet Schedule: Hard Maple with Colonial Stain

	ITEM CODE	WIDTH	HEIGHT	DEPTH	DESCRIPTION	CABINET OPTIONS/ACCESSORIES
1	CSB	18"	34 1/2"	24"	trash base cabinet	NS, NSH, TPO, 1/2" EXTR, FT
2	CSB2D2D	42"	34 1/2"	24"	base two door two drawer	FT
3	CSB3DEH	18"	34 1/2"	24"	base three drawer equal height	1/2" EXTL, FT
4	CSBFDCS (carcass only)	39"	34 1/2"	12"	custom base full door center stile	CSFF, 1/2" EXTL, FT
5	CSBFDCS (carcass only)	39"	34 1/2"	12"	custom base full door center stile	CSFF, 1/2" EXTR, FT
6	Custom Frame/Doors	34 1/2"	34 1/2"	3/4 "	integrated end panel	

Additional Items Needed:

Ready to Assemble Bottom Mount Double TPO (Cab #i1)
 2-pc Crown: Crown #1529A & Slab
 Toe Kick Material
 Base 381

SHEET: 2 DATE: 3/8/2024

Customer: Customer

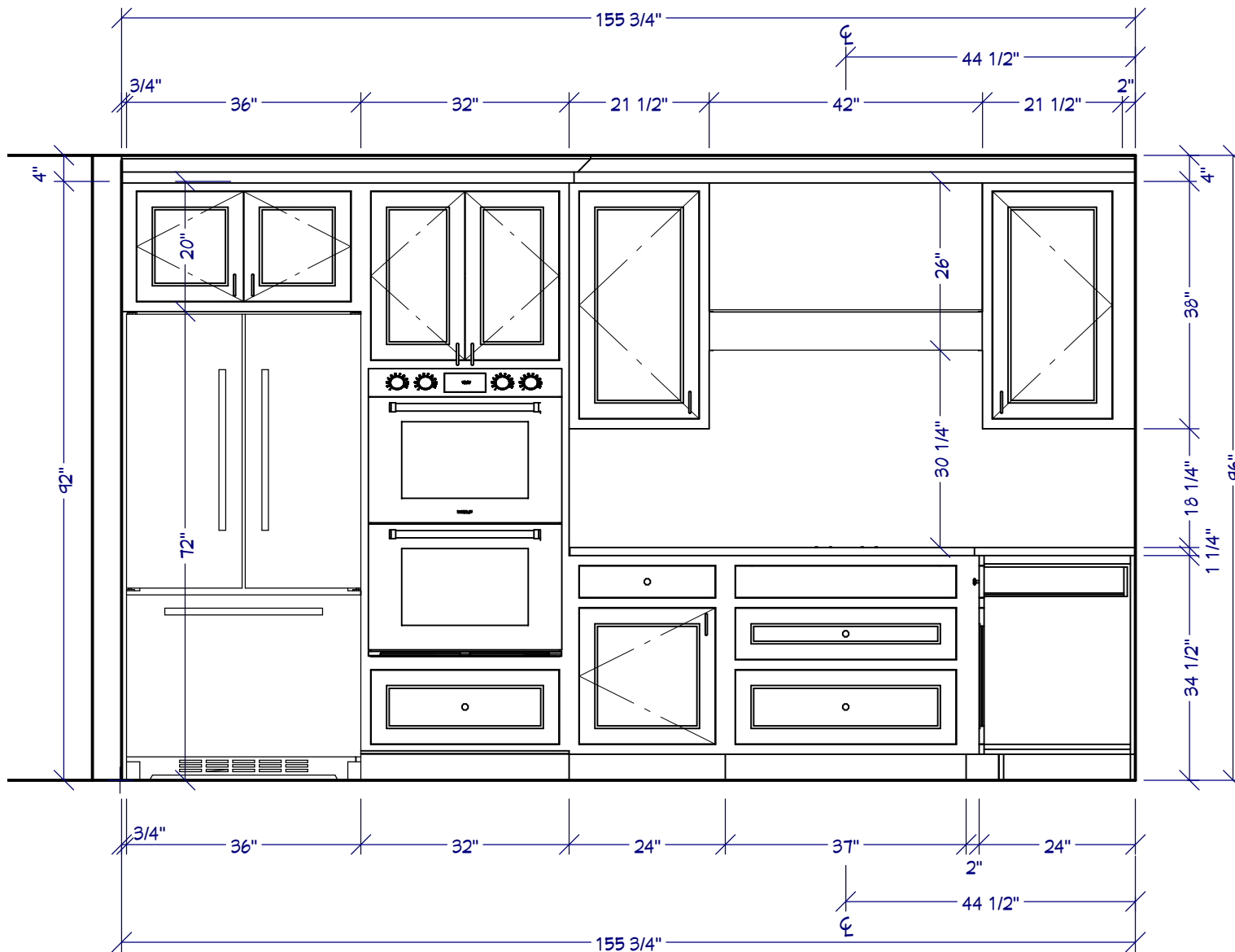
Value Design

This design is the result of information that you, the customer, have provided to Cabinet Joint for the purpose of visualizing your cabinet layout before placing an order. It is the sole responsibility of the customer to verify all room dimensions, cabinet sizes, and appliance specifications before placing that order. If you would prefer to consult with a designer for a more detailed and customized drawing, we suggest you speak with your Cabinet Coach about our Pro Design Services.



CABINET JOINT
Finely crafted, fully custom RTA cabinetry

Cabinet Coach: Cabinet Coach Ph. 888.211.6482



SHEET: 3 DATE: 3/8/2024

Customer: Customer

Value Design

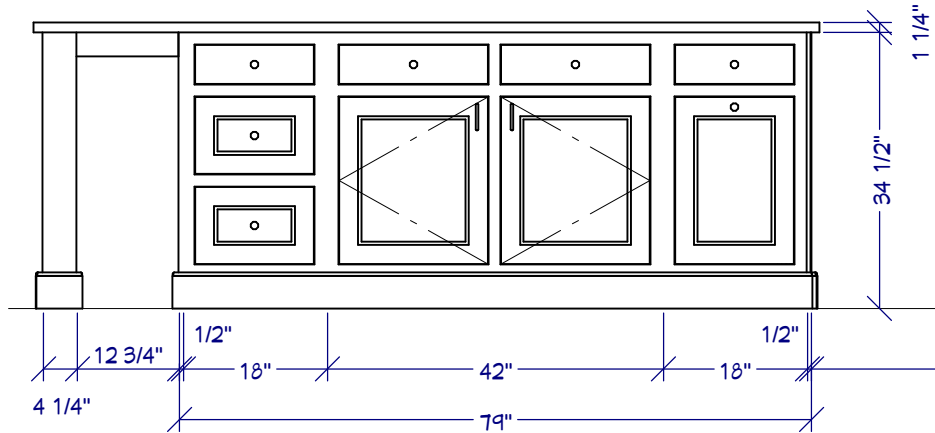
This design is the result of information that you, the customer, have provided to Cabinet Joint for the purpose of visualizing your cabinet layout before placing an order. It is the sole responsibility of the customer to verify all room dimensions, cabinet sizes, and appliance specifications before placing that order. If you would prefer to consult with a designer for a more detailed and customized drawing, we suggest you speak with your Cabinet Coach about our Pro Design Services.



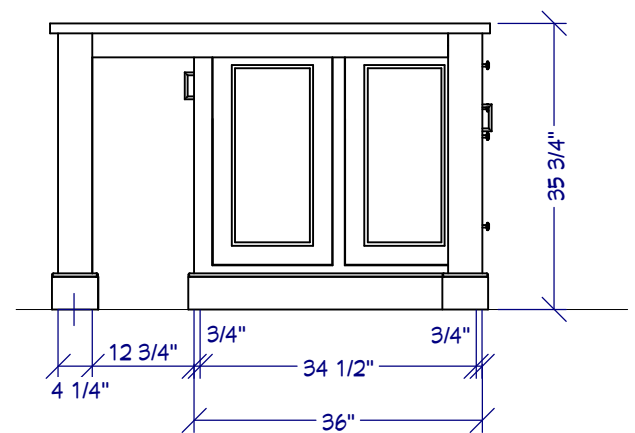
CABINET JOINT
Finely crafted, fully custom RTA cabinetry

Cabinet Coach: Cabinet Coach

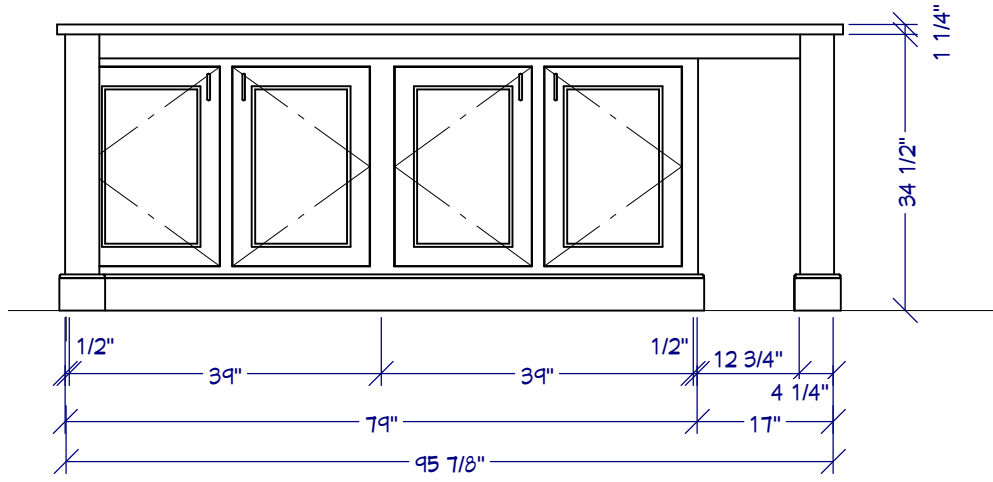
Ph. 888.211.6482



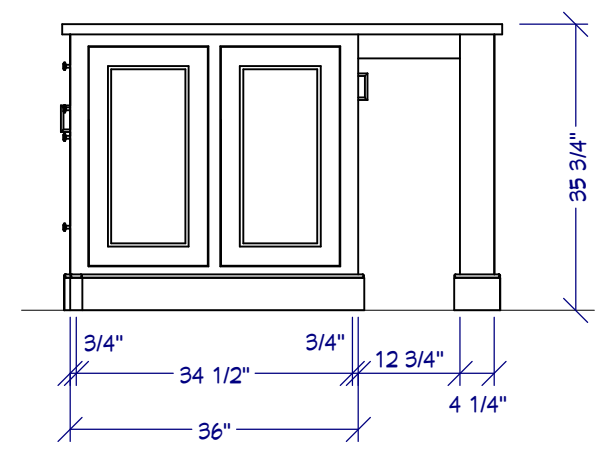
E3



E5



E4



E6

SHEET:	5	DATE:	3/8/2024
Customer:	Customer		
Value Design			

This design is the result of information that you, the customer, have provided to Cabinet Joint for the purpose of visualizing your cabinet layout before placing an order. It is the sole responsibility of the customer to verify all room dimensions, cabinet sizes, and appliance specifications before placing that order. If you would prefer to consult with a designer for a more detailed and customized drawing, we suggest you speak with your Cabinet Coach about our Pro Design Services.



CABINET JOINT
Finely crafted, fully custom RTA cabinetry

Cabinet Coach: Cabinet Coach Ph. 888.211.6482



SHEET: 6 DATE: 3/8/2024

Customer: Customer

Value Design

This design is the result of information that you, the customer, have provided to Cabinet Joint for the purpose of visualizing your cabinet layout before placing an order. It is the sole responsibility of the customer to verify all room dimensions, cabinet sizes, and appliance specifications before placing that order. If you would prefer to consult with a designer for a more detailed and customized drawing, we suggest you speak with your Cabinet Coach about our Pro Design Services.



CABINET JOINT
Finely crafted, fully custom RTA cabinetry

Cabinet Coach: Cabinet Coach

Ph. 888.211.6482



SHEET: 7 DATE: 3/8/2024

Customer: Customer

Value Design

This design is the result of information that you, the customer, have provided to Cabinet Joint for the purpose of visualizing your cabinet layout before placing an order. It is the sole responsibility of the customer to verify all room dimensions, cabinet sizes, and appliance specifications before placing that order. If you would prefer to consult with a designer for a more detailed and customized drawing, we suggest you speak with your Cabinet Coach about our Pro Design Services.



Cabinet Coach:

CABINET JOINT
Finely crafted, fully custom RTA cabinetry

Cabinet Coach

Ph. 888.211.6482



SHEET: 8 DATE: 3/8/2024

Customer: Customer

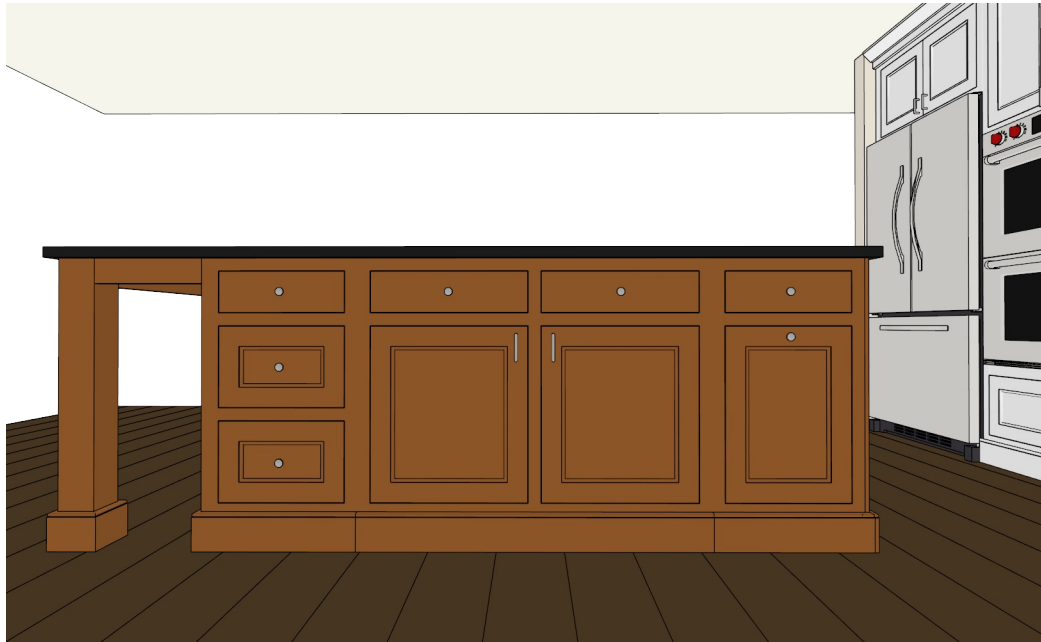
Value Design

This design is the result of information that you, the customer, have provided to Cabinet Joint for the purpose of visualizing your cabinet layout before placing an order. It is the sole responsibility of the customer to verify all room dimensions, cabinet sizes, and appliance specifications before placing that order. If you would prefer to consult with a designer for a more detailed and customized drawing, we suggest you speak with your Cabinet Coach about our Pro Design Services.



CABINET JOINT
Finely crafted, fully custom RTA cabinetry

Cabinet Coach: Cabinet Coach Ph. 888.211.6482



SHEET: 9 DATE: 3/8/2024

Customer: Customer

Value Design

This design is the result of information that you, the customer, have provided to Cabinet Joint for the purpose of visualizing your cabinet layout before placing an order. It is the sole responsibility of the customer to verify all room dimensions, cabinet sizes, and appliance specifications before placing that order. If you would prefer to consult with a designer for a more detailed and customized drawing, we suggest you speak with your Cabinet Coach about our Pro Design Services.



Cabinet Coach:

CABINET JOINT
Finely crafted, fully custom RTA cabinetry

Cabinet Coach

Ph. 888.211.6482

REVISION INFORMATION

This drawing package comes with one set of free revisions.

Please take plenty of time to thoroughly review this drawing packet. Focus on your work-flows, traffic patterns and seating clearances. Compile a list of the changes you'd like to make.

Here are some things you'll want to consider as you make changes to your layout:

1. Measure your space again to ensure proper room dimensions were stated on the drawing.
2. Double-check your measurements for ALL window and door openings. Make sure to account for the width of your trim in your window/door measurements.
3. Which cabinet sides will be visible and therefore require a finished end?
4. Do you have uneven floors or ceilings? If so, make sure to take into account those differences as you determine your cabinet heights.
5. Do you have any room obstructions (i.e. soffits, plumbing, vents, duct work, etc.)? Make sure those areas are noted on your drawing.

If you'd like to revise this drawing, please submit a numbered list of changes to your Cabinet Coach and discuss the changes with him. Once your Cabinet Coach has approved your list of revisions, he will forward the list on to our design services department and we will revise your drawing.

Example list of revisions:

1. Change Cabinet #4 from a B18 to a B3D18.
2. Change the wall cabinet height to 36".
3. Make Cabinet #12 a Trash Pull-Out.
4. Please add a 30" pantry to the right of Cabinet #2.
5. Add lightrail B11.

Again, the first set of revisions is complimentary. However, further revisions will be invoiced based on a rate of **\$80/hr.**

SHEET: 10 DATE: 3/8/2024

Customer: Customer

Value Design

This design is the result of information that you, the customer, have provided to Cabinet Joint for the purpose of visualizing your cabinet layout before placing an order. It is the sole responsibility of the customer to verify all room dimensions, cabinet sizes, and appliance specifications before placing that order. If you would prefer to consult with a designer for a more detailed and customized drawing, we suggest you speak with your Cabinet Coach about our Pro Design Services.



CABINET JOINT
Finely crafted, fully custom RTA cabinetry

Cabinet Coach: Cabinet Coach Ph. 888.211.6482