

Key Dimensions
 Floor to Ceiling: 120"
 Top of Cabinets: 114 1/2"
 Counter Thickness: 1 1/4"

Date: 7/12/2023	Design Version: Final Pro Design	Designer: Designer
Sheet: 1 of 17	Customer Deal: Deal Name	Cabinet Coach: Cabinet Coach

**Pro Design
 Sample Packet #3**

Floor Plan

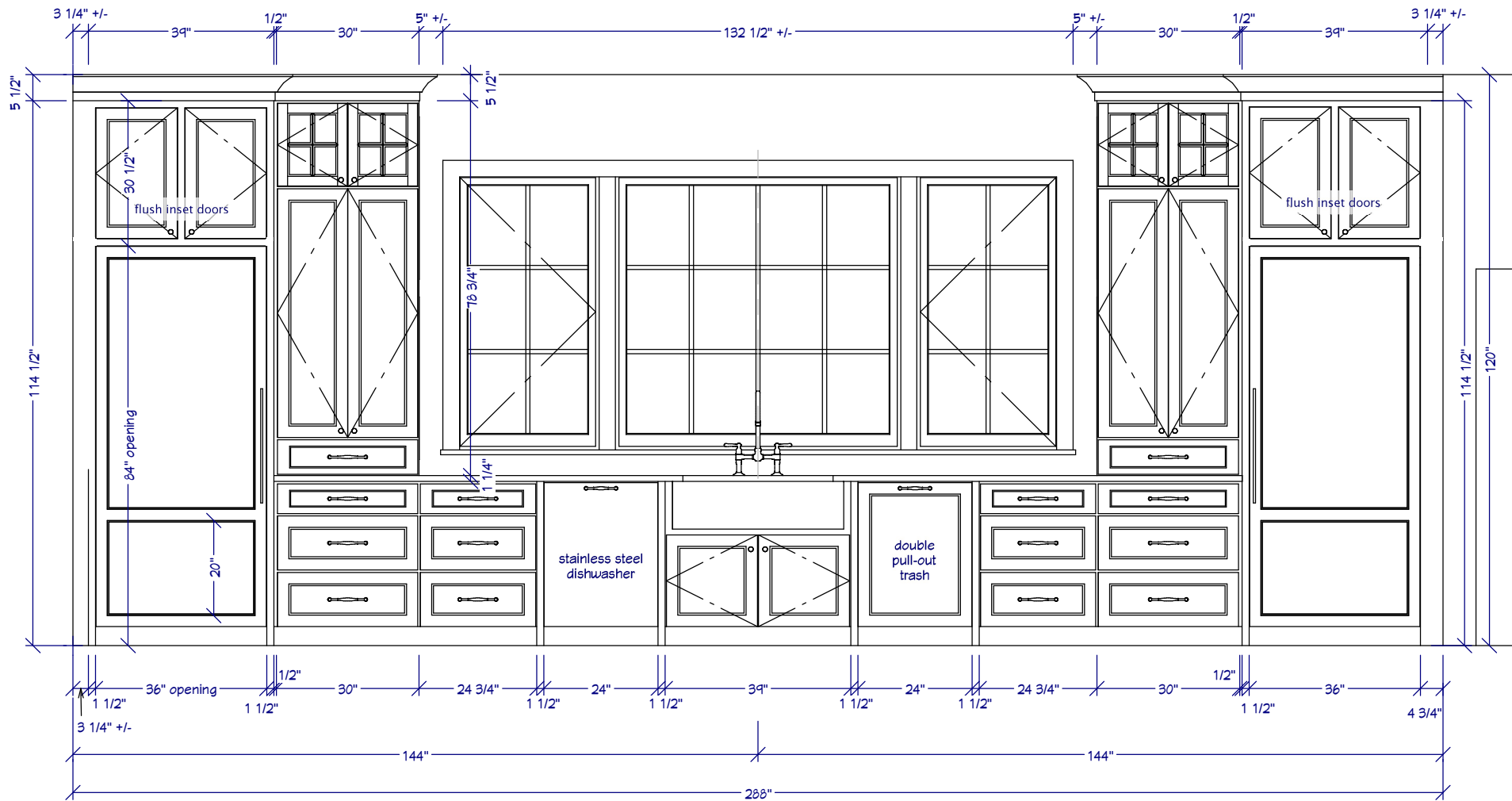
CABINET JOINT
Finely crafted, fully custom RTA cabinetry
 Ph. 888.211.6482 Ext. xxxx xxx@thecabinetjoint.com

Cabinet/Door/Drawer Specifications: 1-1/4" Overlay, Hard Maple, Madison Door/Drawer (top drawer 1 1/2" rails), Arctic White

Cabinet Schedule						
#	CWS Code	Width	Height	Depth	Description	Comments
1	CSRTBCS: Top Cab 30 1/2"h	39 "	114 1/2"	26 "	flush inset refrigerator cabinet	EXTL, FLR
2	Custom Door				single piece freezer door panel	bottom panel 20"h, rails & stiles match door
3	CSRTBCS: Top Cab 30 1/2"h	39 "	114 1/2"	26 "	flush inset refrigerator cabinet	EXTR, FLL
4	Custom Door				single piece refrig door panel	bottom panel 20"h, rails & stiles match door
5	CSWCO	30 "	78 3/4 "	18 "	custom wall cabinet	CSFF, PFDR, MI, EXTL 1/2", Standard 4 Lite top doors
6	Custom Door	17 1/4 "	78 3/4 "	3/4 "	integrated single piece side panel	3" stiles & rails
7	CSWCO	30 "	78 3/4 "	18 "	custom wall cabinet	CSFF, PFDL, MI, EXTR 1/2", Standard 4 Lite top doors
8	Custom Door	17 1/4 "	78 3/4 "	3/4 "	integrated single piece side panel	3" stiles & rails
9	Custom Door	22 1/4 "	78 3/4 "	3/4 "	integrated single piece side panel	3" stiles and rails
10	Slab Filler (Qty 2)	6 3/4 "	78 3/4 "	3/4 "	vertical column front panel	machine edges
11	CSW	20 3/4 "	36 "	6"	*flush inset* wall cabinet	EXTR, FUEL, (2)full depth adjustable shelves
12	CSW	24 "	36 "	22 "	wall cabinet single door	EXTL 1/2", CBR 1/2", CTR 1/2"
13	CSW2CS(carcase only)	52 1/2 "	36 "	22 "	custom hood cabinet	CSFF, CBR 1/2", CTR 1/2"
14	CSW	24 "	36 "	22 "	wall cabinet single door	EXTR 1/2", CBR 1/2", CTR 1/2"
15	CSW	20 3/4 "	36 "	6"	*flush inset* wall cabinet	EXTL, FUEL, (2)full depth adjustable shelves
16	Plywood Panel (Qty 2)	22 1/4"	42 3/4"	3/4"	vertical column inside side panel	
17	Custom Door	22 1/4 "	78 3/4 "	3/4 "	integrated single piece side panel	3" stiles and rails
18	Plywood Panel	101 1/2 "	3/4 "	23"	horizontal panel	edgeband (1) long edge, for bottom of hood area
19	B3DEH	30 "	34 1/2 "	24 "	drawer base cabinet	EXTL 1/2"
20	CSB3DEH	24 3/4 "	34 1/2 "	24 "	drawer base cabinet	
21	J-Panel	1 1/2 "	34 1/2 "	24 3/4 "	J-Panel	A side = 24.75", B side = 1.5", side C = 8"
22	J-Panel	1 1/2 "	34 1/2 "	24 3/4 "	J-Panel	A=24.75", B=1.5", C=8"
23	CSASBCS	39 "	34 1/2 "	24 "	apron sink base center stile	
24	U-Panel	1 1/2 "	34 1/2 "	12 "	U-Panel	A=12, B=1.5", C=12"
25	BFD	24 "	34 1/2 "	24 "	trash base full door	NSH, NS, door-P057 panel raise, TPO #2100839
26	U-Panel	1 1/2 "	34 1/2 "	12 "	U-Panel	A=12, B=1.5", C=12"
27	CSB3DEH	24 3/4 "	34 1/2 "	24 "	drawer base cabinet	
28	B3DEH	30 "	34 1/2 "	24 "	drawer base cabinet	EXTR 1/2"
29	Custom Door	23 1/4 "	34 1/2 "	3/4 "	integrated single piece wainscot	3" top rail & stiles, 7.5" bottom rail
30	CSB3DEH	33 1/2 "	34 1/2 "	24 "	drawer base cabinet	FLR, PFDL, LEL
31	CSB3DEH	33 1/2 "	34 1/2 "	24 "	drawer base cabinet	FLL, PFDR, LER
32	Custom Door	23 1/4 "	34 1/2 "	3/4 "	integrated single piece wainscot	3" stiles and top rail, 7.5" bottom rail
33	CSB2D	33 1/4 "	34 1/2 "	30 "	drawer base cabinet	EXTL 1/4"
34	CSB2D	33 1/4 "	34 1/2 "	30 "	drawer base cabinet	
35	CSB2D	33 1/4 "	34 1/2 "	30 "	drawer base cabinet	
36	CSBFD	19 1/2 "	34 1/2 "	7 1/2 "	base full door single door	EXTR 1", (3)full depth shelves
37	CSBFD	15 "	34 1/2 "	27 "	trash base full door cabinet	FT, EXTL 1", TPO #2100838
38	CSB2D	25 1/4 "	34 1/2 "	27 "	drawer base cabinet	FT, PFDR
39	Custom Door	63 1/2 "	34 1/2 "	3/4 "	integrated single piece wainscot	3" left & middle stiles and top rail, 1.5" right stile, 7.5" bottom rail
40	Custom Door	63 1/2 "	34 1/2 "	3/4 "	integrated single piece wainscot	1.5" left stile, 3" top rail & middle stile and right stile, 7.5" bottom rail
41	Custom Door	47 3/4 "	34 1/2 "	3/4 "	full coverage single piece wainscot	3" stiles and top rail, 7.5" bottom rail
42	Pilaster Post (Qty 3)	8 "	34 1/2 "	8 "	4 sided pilaster post	all sides - 3" top rail, 2" stiles, 7.5" bottom rail
43	Pilaster Post	8 "	34 1/2 "	8 "	4 sided pilaster post	sides A & B = 2" stiles, 3" top rail, 7.5" bottom rail, sides C & D = slab

Additional Items Needed:

Hinges for CSFF Cabinets
 Large Cove Crown 2618 & 4" Crown Riser Slab w/L-1160 edge
 Toe Kick Material
 3/4" panel to be vertical cabinet divider for #25
 4"h Furniture Base w/H-2 top edge where shown



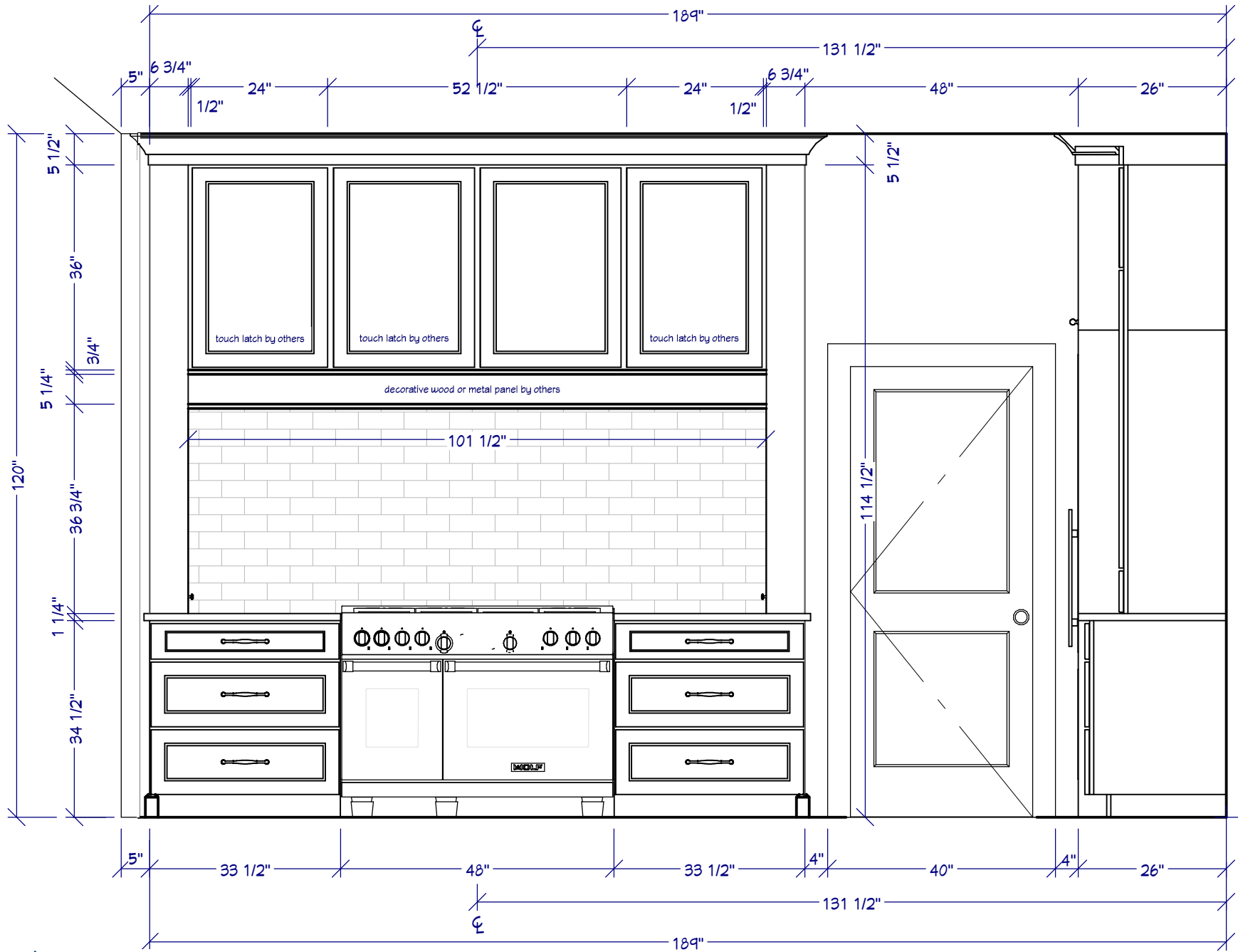
1 Sink Wall

Date: 7/12/2023	Design Version: Final Pro Design	Designer: Designer
Sheet: 3 of 17	Customer Deal: Deal Name	Cabinet Coach: Cabinet Coach

**Pro Design
Sample Packet #3**

Elevation


CABINET JOINT
 Finely crafted, fully custom RTA cabinetry
 Ph. 888.211.6482 Ext. xxxx xxxx@thecabinetjoint.com

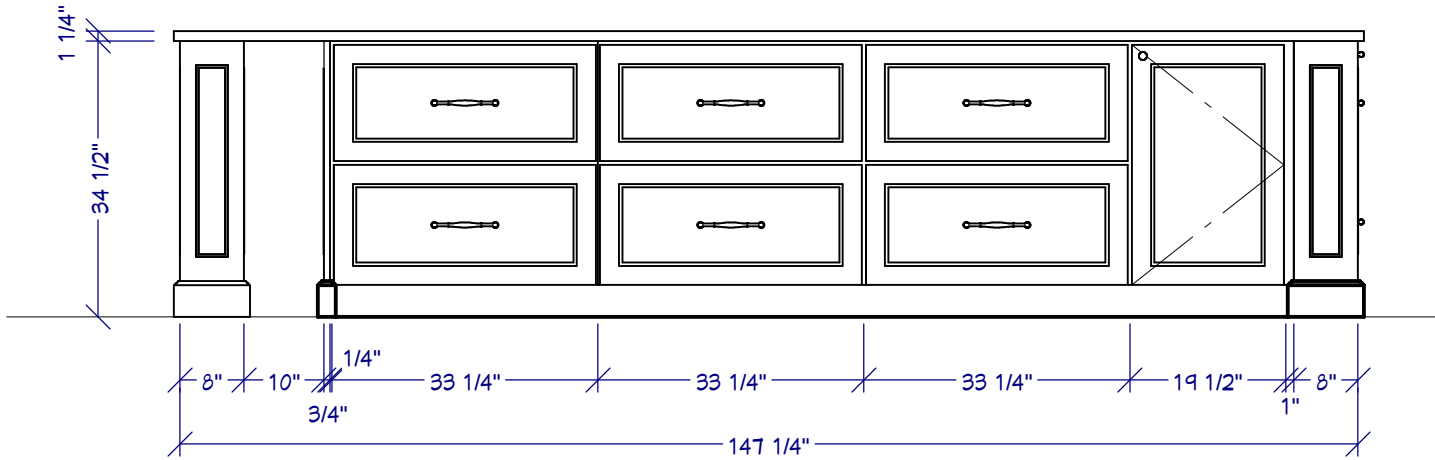


Date: 7/12/2023	Design Version: Final Pro Design	Designer: Designer
Sheet: 4 of 17	Customer Deal: Deal Name	Cabinet Coach: Cabinet Coach

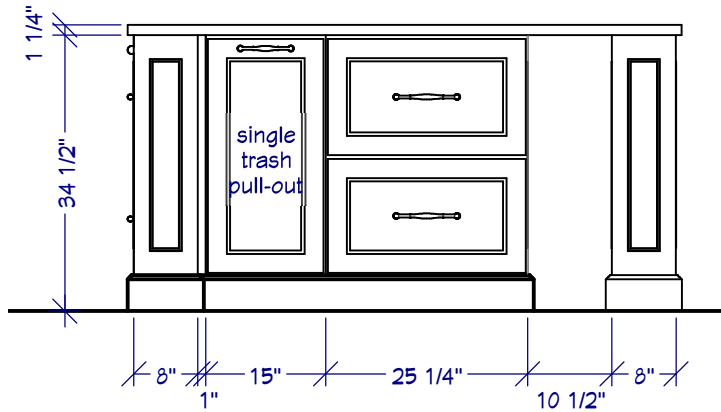
**Pro Design
Sample Packet #3**

Elevation

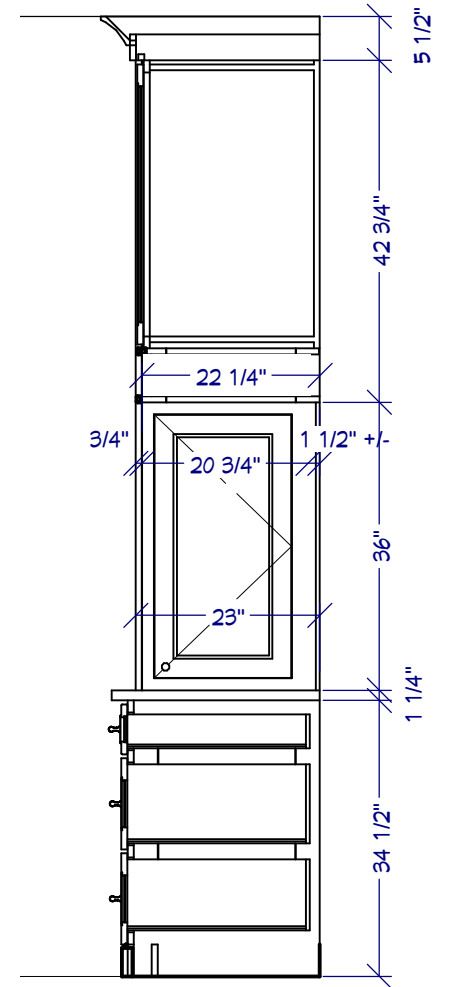
CABINET JOINT
Finely crafted, fully custom RTA cabinetry
Ph. 888.211.6482 Ext. xxxx xxxx@thecabinetjoint.com



3 Island Front



4 Island End



7 hood side cabinet

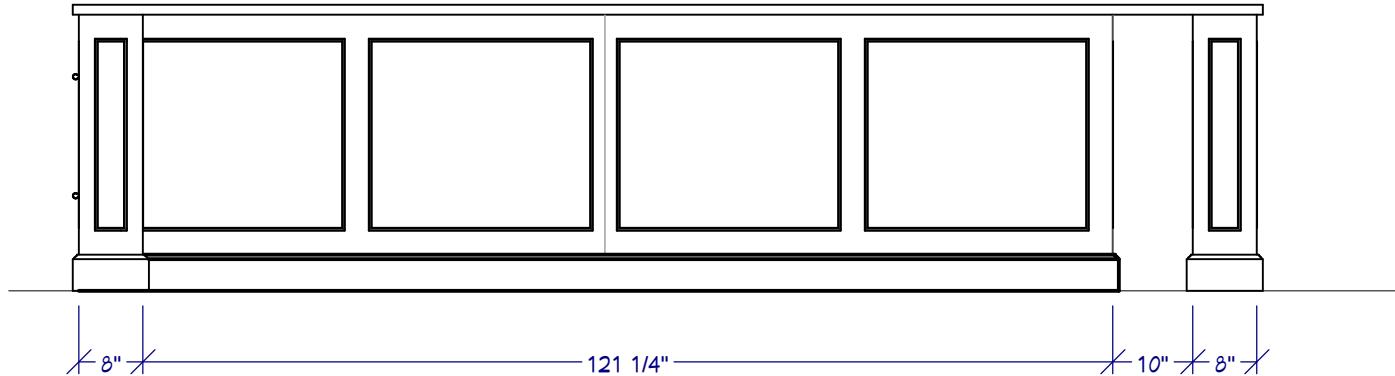
Date: 7/12/2023	Design Version: Final Pro Design	Designer: Designer
Sheet: 5 of 17	Customer Deal: Deal Name	Cabinet Coach: Cabinet Coach

**Pro Design
Sample Packet #3**

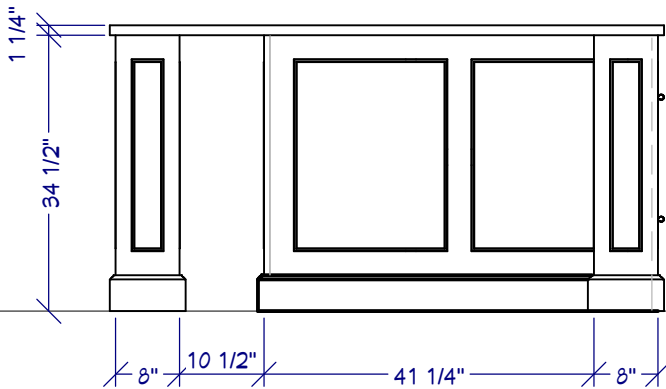
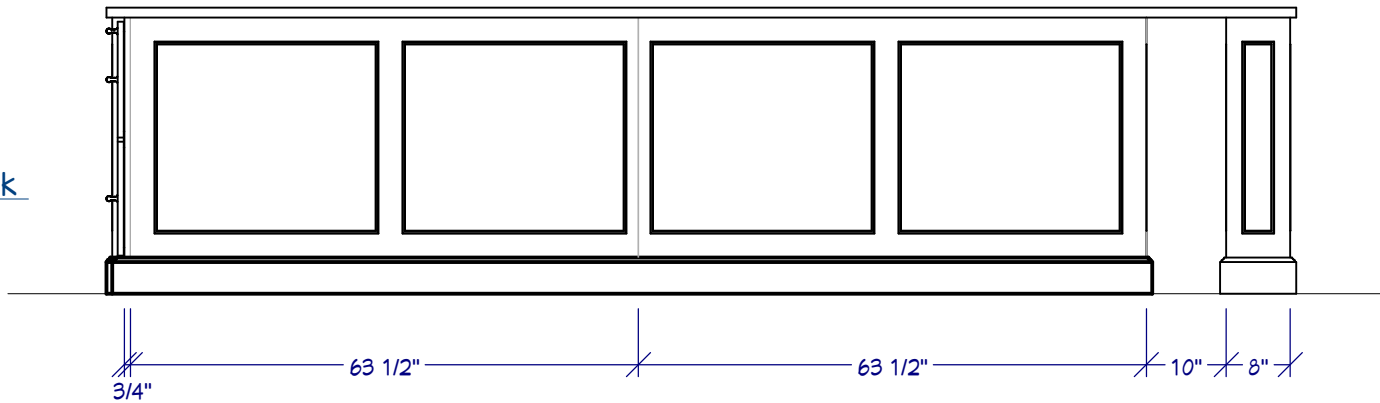
Elevations

CABINET JOINT
Finely crafted, fully custom RTA cabinetry
Ph. 888.211.6482 Ext. xxxx xxxx@thecabinetjoint.com

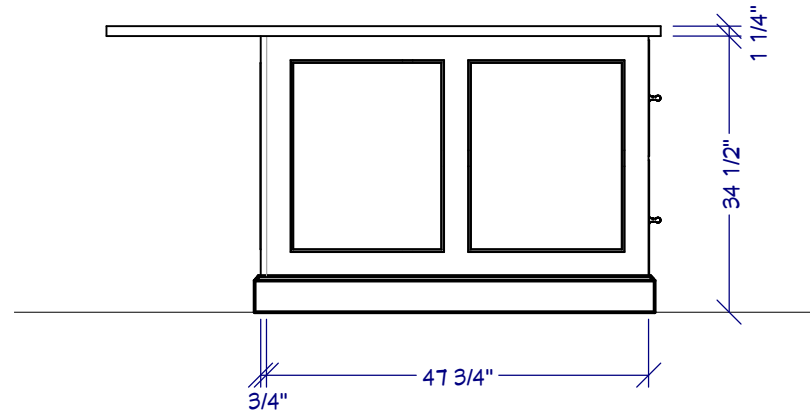
5 Island Back



5a Island Back



6 Island End



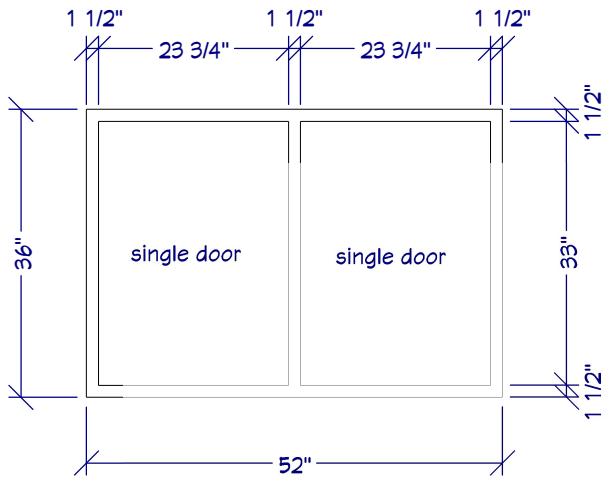
6a Island End

Date: 7/12/2023	Design Version: Final Pro Design	Designer: Designer
Sheet: 6 of 17	Customer Deal: Deal Name	Cabinet Coach: Cabinet Coach

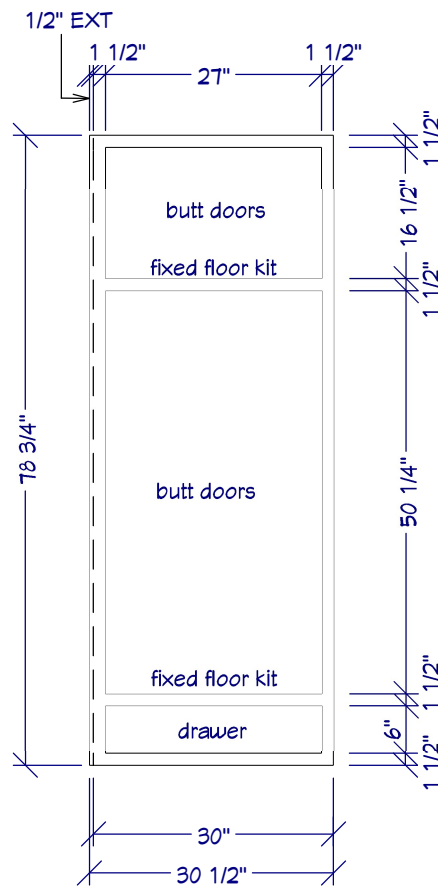
**Pro Design
Sample Packet #3**

Island
Elevations

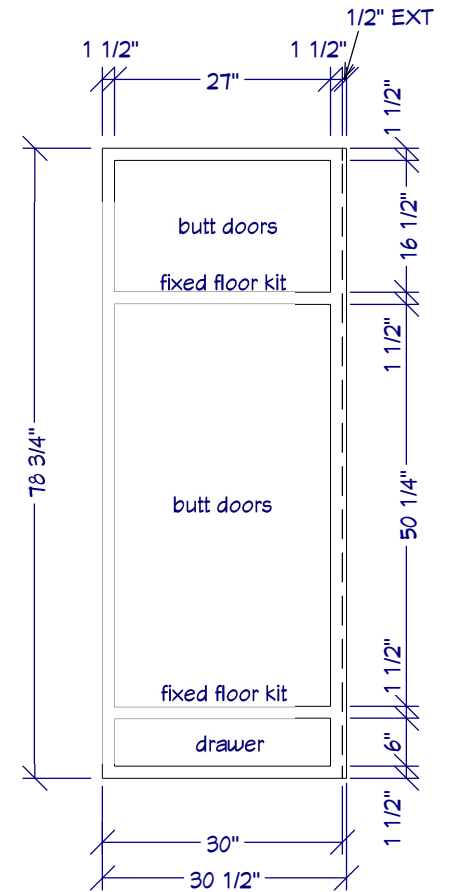
CABINET JOINT
Finely crafted, fully custom RTA cabinetry
 Ph. 888.211.6482 Ext. xxxx xxxx@thecabinetjoint.com



13



5



7

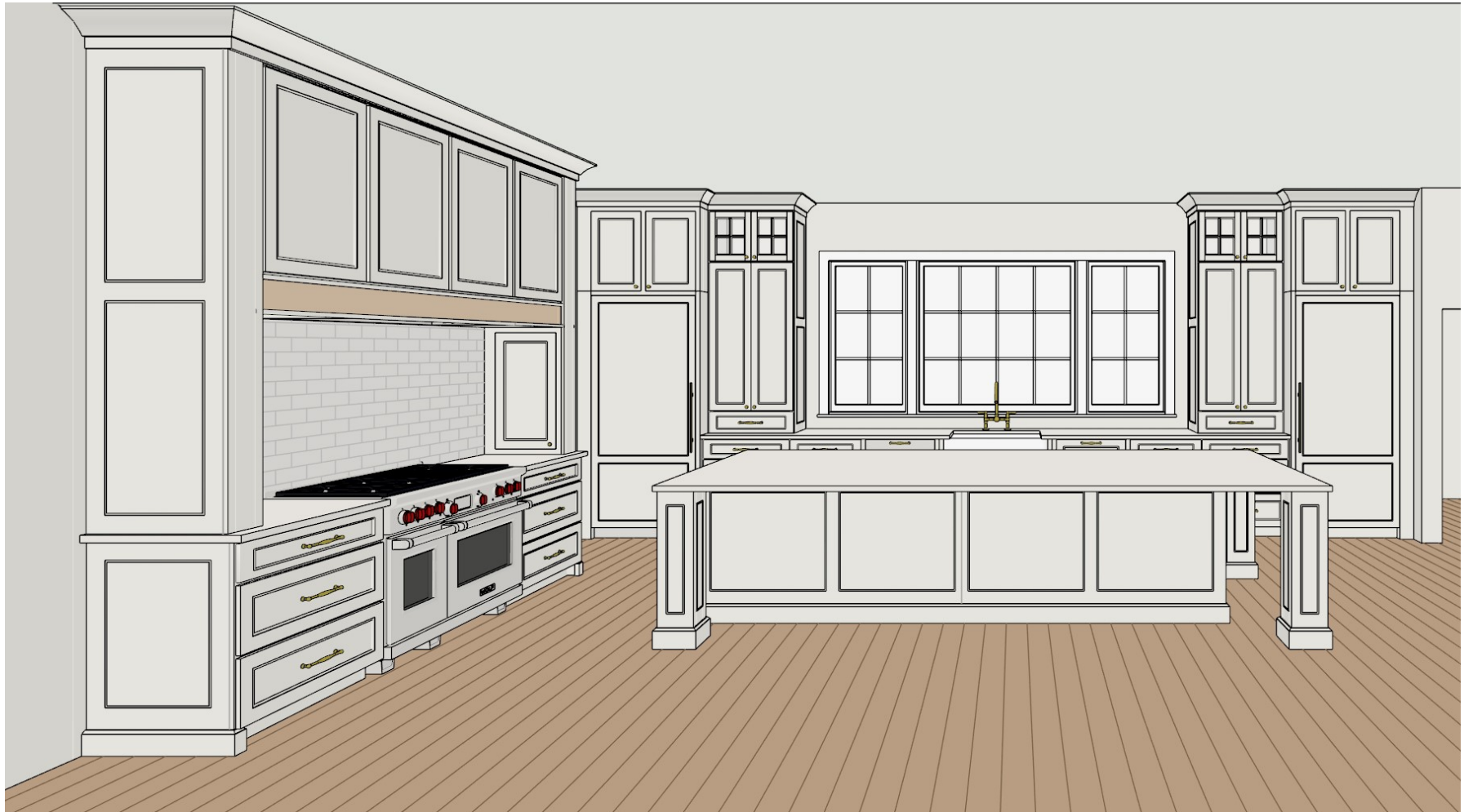
Date: 7/12/2023	Design Version: Final Pro Design	Designer: Designer
Sheet: 7 of 17	Customer Deal: Deal Name	Cabinet Coach: Cabinet Coach

**Pro Design
Sample Packet #3**

**Custom
Face Frames**



CABINET JOINT
Finely crafted, fully custom RTA cabinetry
Ph. 888.211.6482 Ext. xxxx xxxx@thecabinetjoint.com



Designer Notes:

Extended-Stiles (EXT's) on freezer and refrigerator cabinets will need to be trimmed to fit on site.

Backing/support for island wainscot panels needs to be supplied/built by others.

Date: 7/12/2023	Design Version: Final Pro Design	Designer: Designer
Sheet: 8 of 17	Customer Deal: Deal Name	Cabinet Coach: Cabinet Coach

**Pro Design
Sample Packet #3**

Rendering



CABINET JOINT
Finely crafted, fully custom RTA cabinetry
 Ph. 888.211.6482 Ext. xxxx xxxx@thecabinetjoint.com

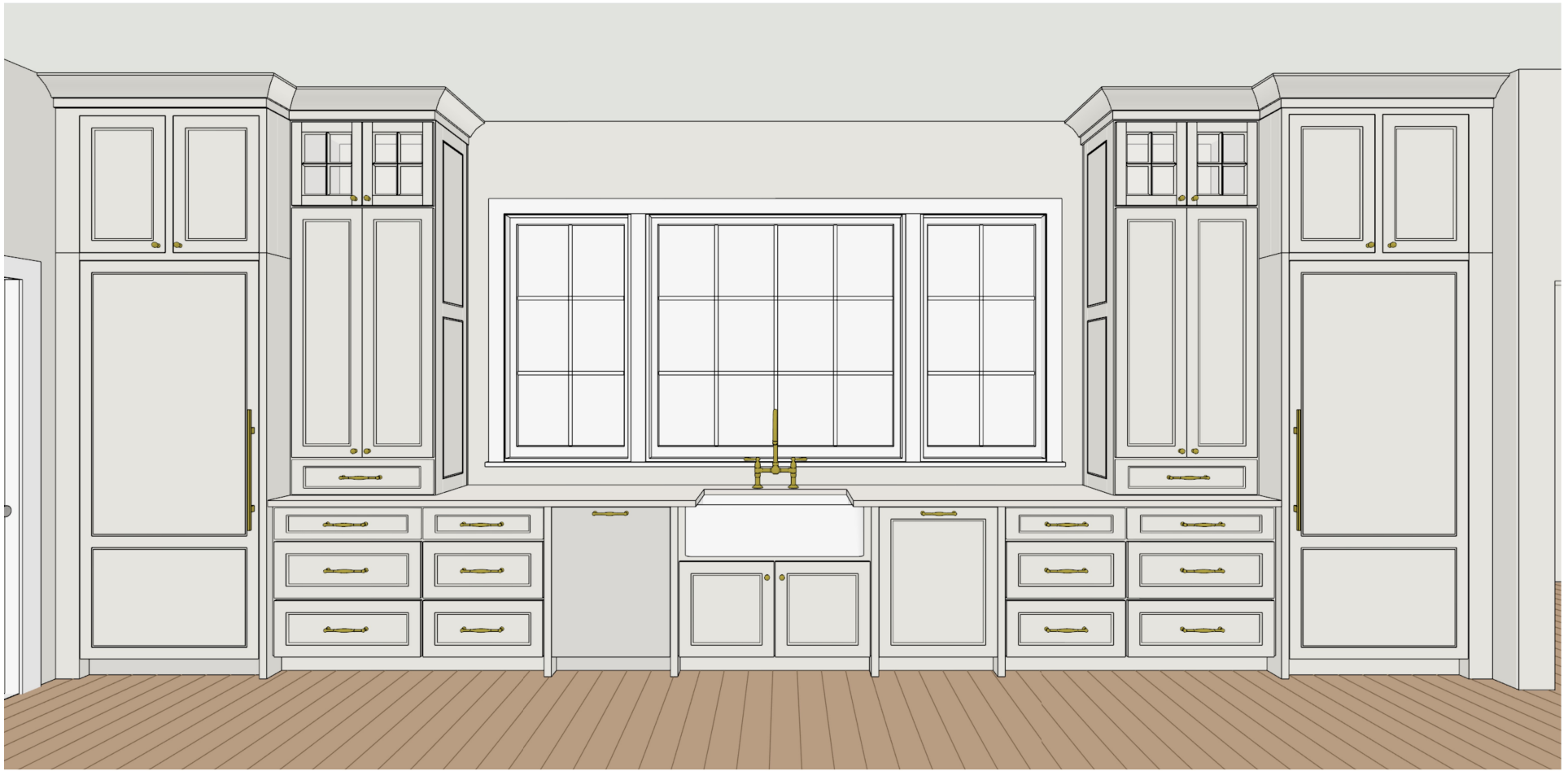


Date: 7/12/2023	Design Version: Final Pro Design	Designer: Designer
Sheet: 9 of 17	Customer Deal: Deal Name	Cabinet Coach: Cabinet Coach

**Pro Design
Sample Packet #3**

Rendering

 **CABINET JOINT**
Finely crafted, fully custom RTA cabinetry
Ph. 888.211.6482 Ext. xxxx xxxx@thecabinetjoint.com



Date: 7/12/2023	Design Version: Final Pro Design	Designer: Designer
Sheet: 10 of 17	Customer Deal: Deal Name	Cabinet Coach: Cabinet Coach

**Pro Design
Sample Packet #3**

Rendering

 **CABINET JOINT**
Finely crafted, fully custom RTA cabinetry
Ph. 888.211.6482 Ext. xxxx xxxx@thecabinetjoint.com

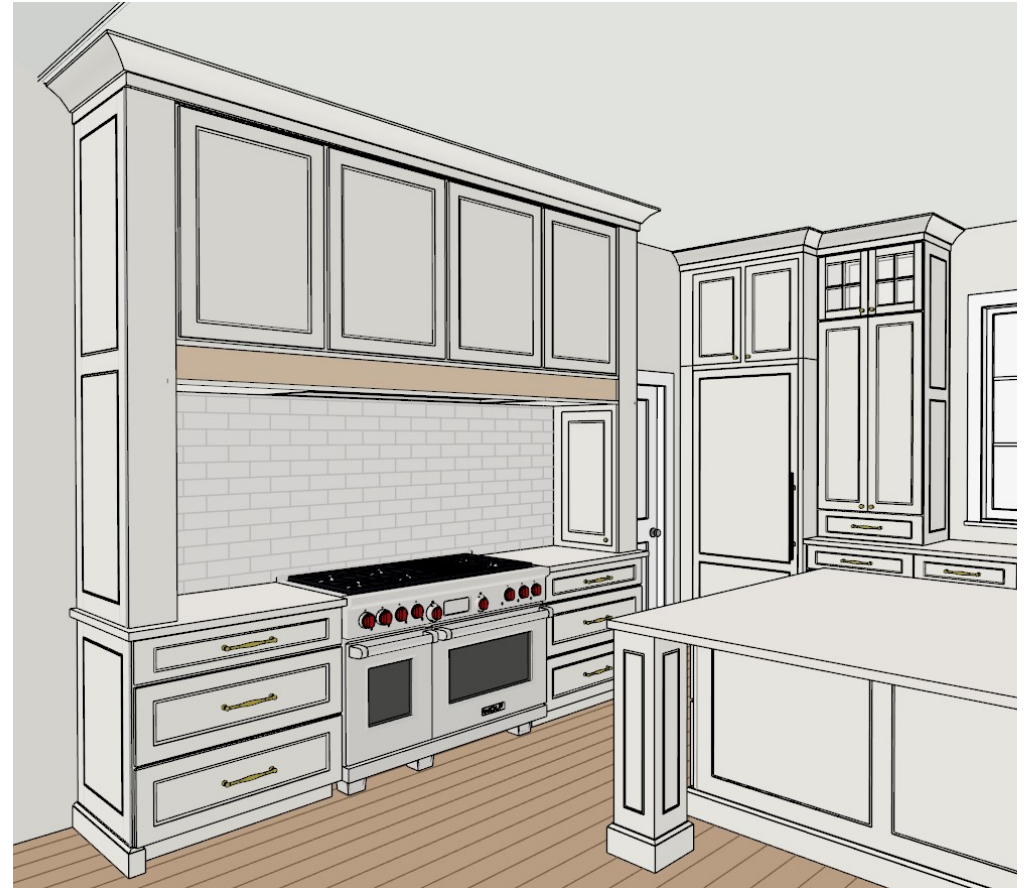
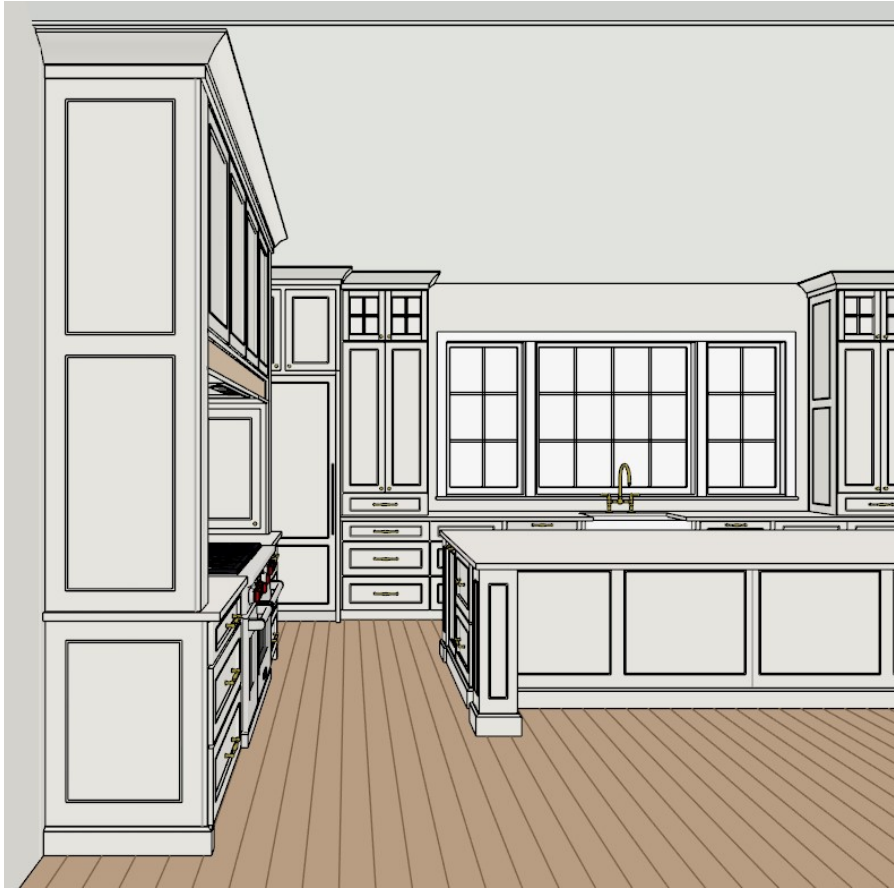


Date: 7/12/2023	Design Version: Final Pro Design	Designer: Designer
Sheet: 11 of 17	Customer Deal: Deal Name	Cabinet Coach: Cabinet Coach

**Pro Design
Sample Packet #3**




CABINET JOINT
Finely crafted, fully custom RTA cabinetry
 Ph. 888.211.6482 Ext. xxxx xxxx@thecabinetjoint.com



Date: 7/12/2023	Design Version: Final Pro Design	Designer: Designer
Sheet: 12 of 17	Customer Deal: Deal Name	Cabinet Coach: Cabinet Coach

**Pro Design
Sample Packet #3**




CABINET JOINT
Finely crafted, fully custom RTA cabinetry
 Ph. 888.211.6482 Ext. xxxx xxxx@thecabinetjoint.com

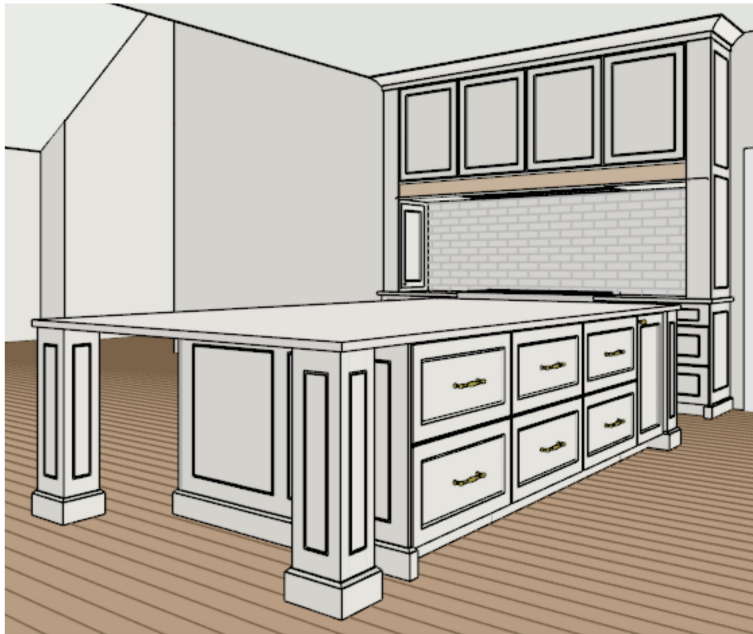


Date: 7/12/2023	Design Version: Final Pro Design	Designer: Designer
Sheet: 13 of 17	Customer Deal: Deal Name	Cabinet Coach: Cabinet Coach

**Pro Design
Sample Packet #3**



 **CABINET JOINT**
Finely crafted, fully custom RTA cabinetry
Ph. 888.211.6482 Ext. xxxx xxxx@thecabinetjoint.com



Title: 7/12/2023	Design Version: Final Pro Design	Designer: Designer
Sheet: 14 of 17	Customer Deal: Deal Name	Cabinet Coach: Cabinet Coach

**Pro Design
Sample Packet #3**

Renderings


CABINET JOINT
Finely crafted, fully custom RTA cabinetry
 Ph. 888.211.6482 Ext. xxxx xxx@thecabinetjoint.com



Date: 7/12/2023

Design Version: Final Pro Design

Designer: Designer

Sheet: 15 of 17

Customer Deal: Deal Name

Cabinet Coach: Cabinet Coach

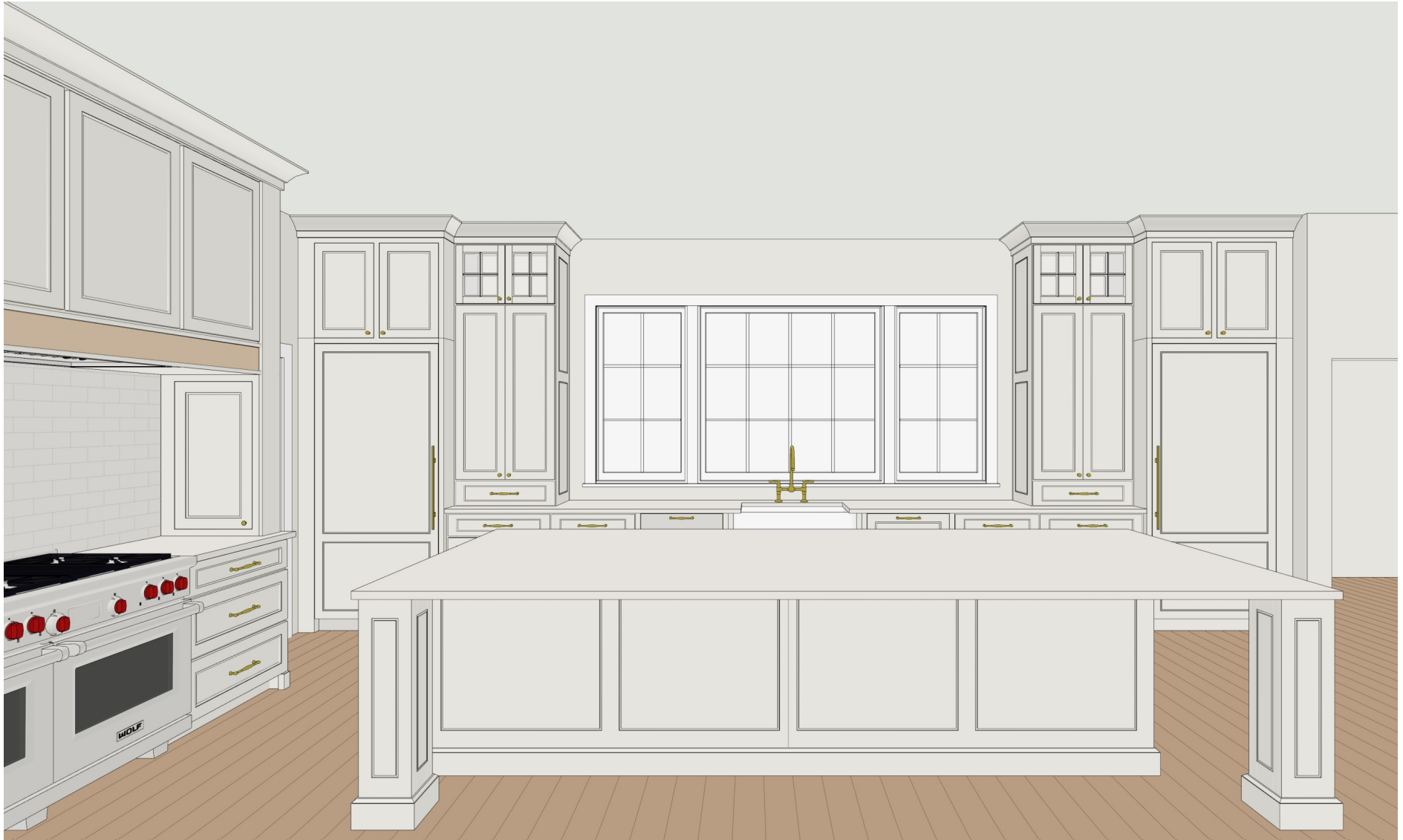
Pro Design Sample Packet #3

Rendering



CABINET JOINT
Finely crafted, fully custom RTA cabinetry

Ph. 888.211.6482 Ext. xxxx xxxx@thecabinetjoint.com



Date: 7/12/2023	Design Version: Final Pro Design	Designer: Designer
Sheet: 16 of 17	Customer Deal: Deal Name	Cabinet Coach: Cabinet Coach

**Pro Design
Sample Packet #3**

Rendering



CABINET JOINT
Finely crafted, fully custom RTA cabinetry
 Ph. 888.211.6482 Ext. xxxx xxxx@thecabinetjoint.com



Disclaimer:

This set of plans is the result of design discussions/decisions between Annie Newell and the customer/contractor noted below. All appliance model numbers and installation options have been provided and reviewed by the customer/contractor. It is the customer/contractor's responsibility to clearly understand and approve every aspect of this set of plans. This includes, but is not limited to, dimensions, cabinet codes/sizes, appliance panels, and appliance openings. These drawings assume that level surfaces for the cabinets have been verified by the customer/contractor. Out of level floors or ceilings will affect the installation of trim/crown.

Cabinet Joint will not release an order until this set of plans has been approved by the customer/contractor with a signature below. If the customer/contractor decides to revise these plans directly with a Cabinet Joint Cabinet Coach, and without Annie Newell, the changes and any resulting errors become the customer/contractor's responsibility.

These renderings are not meant to be an exact representation of color/wood/stain. Cabinet Joint will not be responsible for any perceived discrepancies between the color in these renderings and the actual color ordered/received.

Please sign to acknowledge your understanding and acceptance of these terms.

Sign: _____

Date: ____/____/____

Date: 7/12/2023	Design Version: Final Pro Design	Designer: Designer
Sheet: 17 of 17	Customer Deal: Deal Name	Cabinet Coach: Cabinet Coach

**Pro Design
Sample Packet #3**

**Rengerings &
Disclaimer**



CABINET JOINT
Finely crafted, fully custom RTA cabinetry
 Ph. 888.211.6482 Ext. xxxx xxxx@thecabinetjoint.com