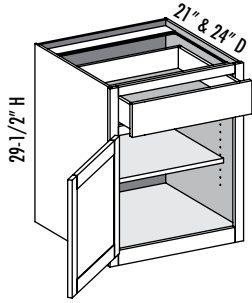




DB/CSDB - Desk Base



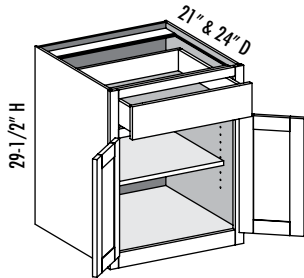
Custom Size Ranges
Width: 12" – 24"
Height: 29-1/2"
Depth: 18", 21", 24"

D	DF	DB	EXT	EXP	FL	WS	MI	FT
1	1	1	✓	✓	✓	✓	✓	STD

- 2-1/2" high flush toe
- When height changes, lower opening height changes. Drawer opening fixed at 5"
- When ordering custom size cabinets 24" wide, specify single or butt doors

Cabinet Code	Advantage				Essence	Doors			Drawer Fronts		
	Price	Exposed End (ea.)	Flush End (ea.)	Shelf	Price	Inset	1/2"	1-1/4"	Inset	1/2"	1-1/4"
DB1229.5N						1.2	1.4	1.7	0.3	0.4	0.5
DB1529.5N						1.5	1.8	2.1	0.4	0.5	0.6
DB1829.5N						1.9	2.2	2.6	0.5	0.7	0.8
DB2129.5N						2.3	2.6	3.0	0.6	0.8	0.9
DB2429.5N						2.7	3.1	3.4	0.7	0.9	1.0

DB/CSDB - Desk Base w/Butt Doors



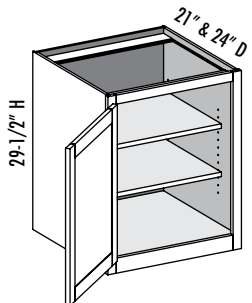
Custom Size Ranges
Width: 24" – 36"
Height: 29-1/2"
Depth: 18", 21", 24"

D	DF	DB	EXT	EXP	FL	WS	MI	FT
2	1	1	✓	✓	✓	✓	✓	STD

- 2-1/2" high flush toe
- When height changes, lower opening height changes. Drawer opening fixed at 5"
- When ordering custom size cabinets 24" wide, specify single or butt doors

Cabinet Code	Advantage				Essence	Doors			Drawer Fronts		
	Price	Exposed End (ea.)	Flush End (ea.)	Shelf	Price	Inset	1/2"	1-1/4"	Inset	1/2"	1-1/4"
DB2429.5BDN						2.7	3.0	3.4	0.7	0.9	1.0

DBFD/CSDBFD - Desk Base Full Door



Custom Size Ranges
Width: 12" – 24"
Height: 29-1/2"
Depth: 18", 24"

D	DF	DB	EXT	EXP	FL	WS	MI	FT
1			✓	✓	✓	✓	✓	STD

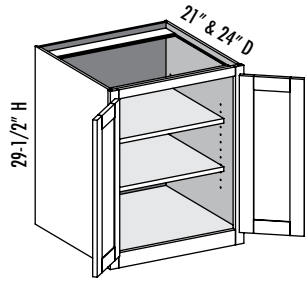
- 2-1/2" high flush toe
- When ordering custom size cabinets 24" wide, specify single or butt doors

Cabinet Code	Advantage				Essence	Doors			Drawer Fronts		
	Price	Exposed End (ea.)	Flush End (ea.)	Shelf	Price	Inset	1/2"	1-1/4"	Inset	1/2"	1-1/4"
DBFD1229.5N						1.5	1.8	2.2	—	—	—
DBFD1529.5N						2.1	2.4	2.8	—	—	—
DBFD1829.5N						2.6	2.9	3.4	—	—	—
DBFD2129.5N						3.1	3.5	4.0	—	—	—
DBFD2429.5N						3.7	4.0	4.5	—	—	—

Options Key: D=Number of Doors DF=Number of Drawer Fronts DB=Drawer Box EXT=Extended Stiles EXP=Exposed End FL=Flush End WS=Solid Wood Shelf MI=Matching Interior FT=Flush Toe



DBFD/CSDBFD - Desk Base Full Door w/Butt Doors



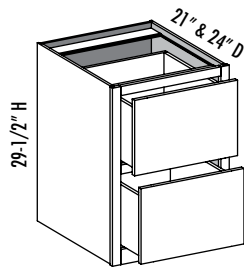
Custom Size Ranges
 Width: 24"– 36"
 Height: 29-1/2"
 Depth: 18"– 24"

D	DF	DB	EXT	EXP	FL	WS	MI	FT
2			✓	✓	✓	✓	✓	STD

- 2-1/2" high flush toe
- When ordering custom size cabinets 24" wide, specify single or butt doors

Cabinet Code	Advantage				Essence	Doors			Drawer Fronts		
	Price	Exposed End (ea.)	Flush End (ea.)	Shelf	Price	Inset	1/2"	1-1/4"	Inset	1/2"	1-1/4"
DBFD2429.5BDN						3.6	4.0	4.5	—	—	—

DB2D/CSDB2D - Desk Base Two Drawers



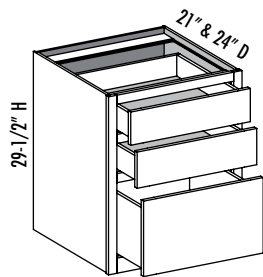
Custom Size Ranges
 Width: 12"– 36"
 Height: 29-1/2"
 Depth: 18", 21", 24"

D	DF	DB	EXT	EXP	FL	WS	MI	FT
	2	2	✓	✓	✓	✓		STD

- 2-1/2" high flush toe
- Both drawers designed to accommodate Pendaflex files
- In 15" width Pendaflex files must be installed front to back
- When height changes, both drawer heights are equal

Cabinet Code	Advantage				Essence	Doors			Drawer Fronts		
	Price	Exposed End (ea.)	Flush End (ea.)	Shelf	Price	Inset	1/2"	1-1/4"	Inset	1/2"	1-1/4"
DB2D1529.5N						—	—	—	1.9	2.3	2.8
DB2D1829.5N						—	—	—	2.4	2.9	3.4
DB2D2129.5N						—	—	—	2.9	3.4	4.0

DB3D/CSDB3D - Desk Base Three Drawers



Custom Size Ranges
 Width: 12"– 36"
 Height: 29-1/2"
 Depth: 18", 21", 24"

D	DF	DB	EXT	EXP	FL	WS	MI	FT
	3	3	✓	✓	✓	✓		STD

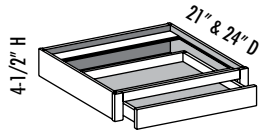
- 2-1/2" high flush toe
- Both drawers designed to accommodate Pendaflex files
- In 15" width Pendaflex files must be installed front to back
- When height changes, lower opening height changes. Upper drawer opening heights fixed at 5" and 5-1/2"

Cabinet Code	Advantage				Essence	Doors			Drawer Fronts		
	Price	Exposed End (ea.)	Flush End (ea.)	Shelf	Price	Inset	1/2"	1-1/4"	Inset	1/2"	1-1/4"
DB3D1529.5N						—	—	—	1.8	2.3	2.7
DB3D1829.5N						—	—	—	2.3	2.8	3.3
DB3D2129.5N						—	—	—	2.7	3.4	3.8
DB3D2429.5N						—	—	—	3.2	3.9	4.4

Options Key: D=Number of Doors DF=Number of Drawer Fronts DB=Drawer Box EXT=Extended Stiles EXP=Exposed End FL=Flush End WS=Solid Wood Shelf MI=Matching Interior FT=Flush Toe



DD/CSDD - Desk Drawer



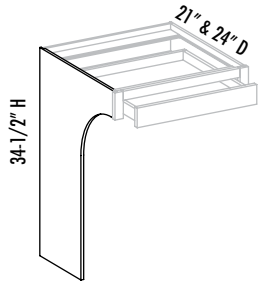
Custom Size Ranges
Width: 12" – 36"
Height: 4-1/2"
Depth: 18", 21", 24"

D	DF	DB	EXT	EXP	FL	WS	MI	FT
	1	1	✓	✓	✓			

- No bottom or bottom rail

Cabinet Code	Advantage				Essence	Doors			Drawer Fronts		
	Price	Exposed End (ea.)	Flush End (ea.)	Shelf	Price	Inset	1/2"	1-1/4"	Inset	1/2"	1-1/4"
DD184.5N						—	—	—	0.3	0.4	0.5
DD214.5N						—	—	—	0.3	0.5	0.6
DD244.5N						—	—	—	0.4	0.6	0.7
DD274.5N						—	—	—	0.4	0.7	0.7
DD304.5N						—	—	—	0.5	0.7	0.8
DD334.5N						—	—	—	0.5	0.8	0.9
DD364.5N						—	—	—	0.6	0.9	1.0

DDSL (R)/CSDDSL (R) - Desk Drawer Support Left (or Right)



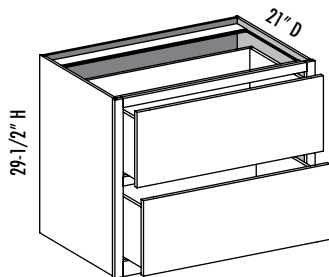
Custom Size Ranges
Height: 29" – 42"
Depth: 18", 21", 24"

D	DF	DB	EXT	EXP	FL	WS	MI	FT
			✓	✓	✓			

- Advantage line only
- Support leg only
- Left shown
- Exposed edge is banded with matching specie veneer
- Bottom can be trimmed to custom height

Cabinet Code	Advantage				Essence	Doors			Drawer Fronts		
	Price	Exposed End (ea.)	Flush End (ea.)	Shelf	Price	Inset	1/2"	1-1/4"	Inset	1/2"	1-1/4"
DDSL2134.5N						—	—	—	—	—	—
DDSL2434.5N						—	—	—	—	—	—
DDSR2134.5N						—	—	—	—	—	—
DDSR2434.5N						—	—	—	—	—	—

LF2D/CSLF2D - Lateral File Two Drawer



Custom Size Ranges
Width: 30" – 36"
Height: 29-1/2"
Depth: 21"

D	DF	DB	EXT	EXP	FL	WS	MI	FT
	2	2	✓	✓	✓			STD

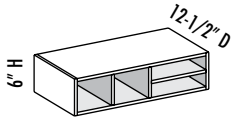
- 2-1/2" high flush toe
- Full extension interlocking drawer slides
- When height changes, both drawer heights are equal

Cabinet Code	Advantage				Essence	Doors			Drawer Fronts		
	Price	Exposed End (ea.)	Flush End (ea.)	Shelf	Price	Inset	1/2"	1-1/4"	Inset	1/2"	1-1/4"
LF2D3029.5N						—	—	—	4.4	5.1	5.7
LF2D3629.5N						—	—	—	5.4	6.1	6.8

Options Key: D=Number of Doors DF=Number of Drawer Fronts DB=Drawer Box EXT=Extended Stiles EXP=Exposed End FL=Flush End WS=Solid Wood Shelf MI=Matching Interior FT=Flush Toe



LFS/CSLFS - Letter File Slot

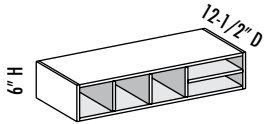


Custom Size Ranges
Width: 24"– 29-15/16"
Height: 6"
Depth: 12-1/2"

D	DF	DB	EXT	EXP	FL	WS	MI	FT
				STD			STD	

- Advantage line only
- 1/2" matching specie doweled plywood construction
- Exposed edges are banded with matching specie veneer
- When width changes vertical openings change

Cabinet Code	Advantage				Essence	Doors			Drawer Fronts		
	Price	Exposed End (ea.)	Flush End (ea.)	Shelf	Price	Inset	1/2"	1-1/4"	Inset	1/2"	1-1/4"
LFS246N						—	—	—	—	—	—
LFS276N						—	—	—	—	—	—

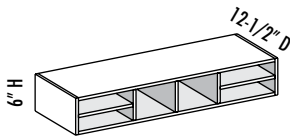


Custom Size Ranges
Width: 30"– 32-15/16"
Height: 6"
Depth: 12-1/2"

D	DF	DB	EXT	EXP	FL	WS	MI	FT
				STD			STD	

- Advantage line only
- 1/2" matching specie doweled plywood construction
- Recessed back design for custom depth modification
- Exposed edges are banded with matching specie veneer
- When width changes vertical openings change

Cabinet Code	Advantage				Essence	Doors			Drawer Fronts		
	Price	Exposed End (ea.)	Flush End (ea.)	Shelf	Price	Inset	1/2"	1-1/4"	Inset	1/2"	1-1/4"
LFS306N						—	—	—	—	—	—

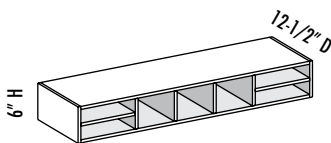


Custom Size Ranges
Width: 33"– 38-15/16"
Height: 6"
Depth: 12-1/2"

D	DF	DB	EXT	EXP	FL	WS	MI	FT
				STD			STD	

- Advantage line only
- 1/2" matching specie doweled plywood construction
- Exposed edges are banded with matching specie veneer
- When width changes vertical openings change

Cabinet Code	Advantage				Essence	Doors			Drawer Fronts		
	Price	Exposed End (ea.)	Flush End (ea.)	Shelf	Price	Inset	1/2"	1-1/4"	Inset	1/2"	1-1/4"
LFS336N						—	—	—	—	—	—
LFS366N						—	—	—	—	—	—



Custom Size Ranges
Width: 39"– 44-15/16"
Height: 6"
Depth: 12-1/2"

D	DF	DB	EXT	EXP	FL	WS	MI	FT
				STD			STD	

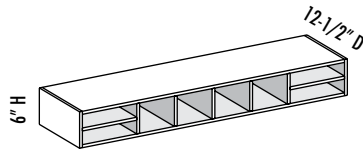
- Advantage line only
- 1/2" matching specie doweled plywood construction
- Exposed edges are banded with matching specie veneer
- When width changes vertical openings change

Cabinet Code	Advantage				Essence	Doors			Drawer Fronts		
	Price	Exposed End (ea.)	Flush End (ea.)	Shelf	Price	Inset	1/2"	1-1/4"	Inset	1/2"	1-1/4"
LFS396N						—	—	—	—	—	—
LFS426N						—	—	—	—	—	—

Options Key: D=Number of Doors DF=Number of Drawer Fronts DB=Drawer Box EXT=Extended Stiles EXP=Exposed End FL=Flush End WS=Solid Wood Shelf MI=Matching Interior FT=Flush Toe



LFS/CSLFS - Letter File Slot



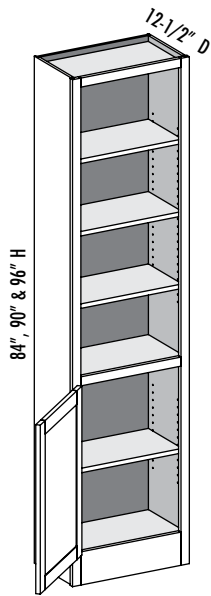
Custom Size Ranges
 Width: 45" – 48"
 Height: 6"
 Depth: 12-1/2"

D	DF	DB	EXT	EXP	FL	WS	MI	FT
			STD				STD	

- Advantage line only
- 1/2" matching specie doveled plywood construction
- Exposed edges are banded with matching specie veneer
- When width changes vertical openings change

Cabinet Code	Advantage				Essence	Doors			Drawer Fronts		
	Price	Exposed End (ea.)	Flush End (ea.)	Shelf	Price	Inset	1/2"	1-1/4"	Inset	1/2"	1-1/4"
LFS456N						—	—	—	—	—	—
LFS486N						—	—	—	—	—	—

ORC/CSORC - Other Room Cabinet



Custom Size Ranges
 Width: 12" – 24"
 Height: 84" – 96"
 Depth: 5-1/2" – 27"

D	DF	DB	EXT	EXP	FL	WS	MI	FT
1			✓	✓	✓	✓	✓	STD

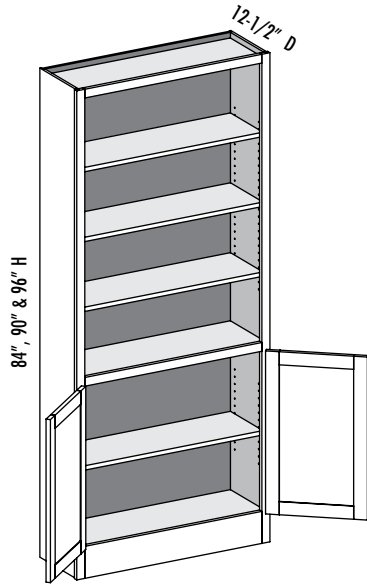
- 5-1/2" high flush toe
- Doors on top section are optional and must be specified
- Lower section aligns with 34-1/2" high base cabinets
- When height changes, upper opening height changes. Lower opening height fixed at 27-1/2"
- When ordering custom size cabinets 24" wide, specify single or butt doors

Cabinet Code	Advantage				Essence	Doors			Drawer Fronts		
	Price	Exposed End (ea.)	Flush End (ea.)	Shelf	Price	Inset	1/2"	1-1/4"	Inset	1/2"	1-1/4"
ORC1584N						2.2	2.6	2.9	—	—	—
ORC1884N						2.8	3.2	3.6	—	—	—
ORC2184N						3.4	3.8	4.2	—	—	—
ORC1590N						2.2	2.6	2.9	—	—	—
ORC1890N						2.8	3.2	3.6	—	—	—
ORC2190N						3.4	3.8	4.2	—	—	—
ORC1596N						2.2	2.6	2.9	—	—	—
ORC1896N						2.8	3.2	3.6	—	—	—
ORC2196N						3.4	3.8	4.2	—	—	—

Options Key: D=Number of Doors DF=Number of Drawer Fronts DB=Drawer Box EXT=Extended Stiles EXP=Exposed End FL=Flush End WS=Solid Wood Shelf MI=Matching Interior FT=Flush Toe



ORC/CSORC - Other Room Cabinet w/Butt Doors



Custom Size Ranges
 Width: 24"–36"
 Height: 84"–96"
 Depth: 5-1/2"–27"

D	DF	DB	EXT	EXP	FL	WS	MI	FT
2			✓	✓	✓	✓	✓	STD

- 5-1/2" high flush toe
- Doors on top section are optional and must be specified
- Lower section aligns with 34-1/2" high base cabinets
- When height changes, upper opening height changes. Lower opening height fixed at 27-1/2"
- When ordering custom size cabinets 24" wide, specify single or butt doors

Cabinet Code	Advantage			Essence	Doors			Drawer Fronts			
	Price	Exposed End (ea.)	Flush End (ea.)	Shelf	Price	Inset	1/2"	1-1/4"	Inset	1/2"	1-1/4"
ORC2484N						3.9	4.3	4.7	—	—	—
ORC2784N						4.5	4.9	5.4	—	—	—
ORC3084N						5.0	5.5	6.0	—	—	—
ORC3384N						5.6	6.1	6.6	—	—	—
ORC3684N						6.2	6.7	7.2	—	—	—
ORC2490N						3.9	4.3	4.7	—	—	—
ORC2790N						4.5	4.9	5.4	—	—	—
ORC3090N						5.0	5.5	6.0	—	—	—
ORC3390N						5.6	6.1	6.6	—	—	—
ORC3690N						6.2	6.7	7.2	—	—	—
ORC2496N						3.9	4.3	4.7	—	—	—
ORC2796N						4.5	4.9	5.4	—	—	—
ORC3096N						5.0	5.5	6.0	—	—	—
ORC3396N						5.6	6.1	6.6	—	—	—
ORC3696N						6.2	6.7	7.2	—	—	—

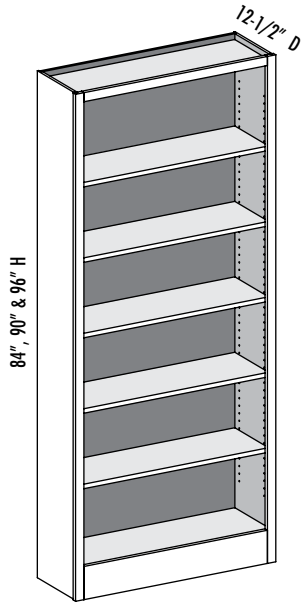
HOME OFFICE CABINETS

Cabinet Systems

Options Key: D=Number of Doors DF=Number of Drawer Fronts DB=Drawer Box EXT=Extended Stiles EXP=Exposed End FL=Flush End WS=Solid Wood Shelf MI=Matching Interior FT=Flush Toe



ORS/CSORS - Other Room Shelf



Custom Size Ranges
 Width: 12"–36"
 Height: 84"–96"
 Depth: 5-1/2"–27"

D	DF	DB	EXT	EXP	FL	WS	MI	FT
			✓	✓	✓	✓	✓	STD

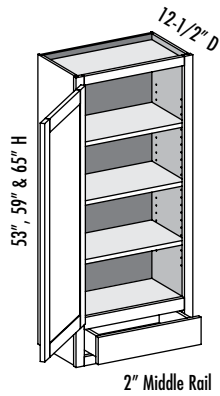
- 5-1/2" high flush toe

Cabinet Code	Advantage			Essence	Doors			Drawer Fronts			
	Price	Exposed End (ea.)	Flush End (ea.)	Shelf	Price	Inset	1/2"	1-1/4"	Inset	1/2"	1-1/4"
ORS1584N						—	—	—	—	—	—
ORS1884N						—	—	—	—	—	—
ORS2184N						—	—	—	—	—	—
ORS2484N						—	—	—	—	—	—
ORS2784N						—	—	—	—	—	—
ORS3084N						—	—	—	—	—	—
ORS3384N						—	—	—	—	—	—
ORS3684N						—	—	—	—	—	—
ORS1590N						—	—	—	—	—	—
ORS1890N						—	—	—	—	—	—
ORS2190N						—	—	—	—	—	—
ORS2490N						—	—	—	—	—	—
ORS2790N						—	—	—	—	—	—
ORS3090N						—	—	—	—	—	—
ORS3390N						—	—	—	—	—	—
ORS3690N						—	—	—	—	—	—
ORS1596N						—	—	—	—	—	—
ORS1896N						—	—	—	—	—	—
ORS2196N						—	—	—	—	—	—
ORS2496N						—	—	—	—	—	—
ORS2796N						—	—	—	—	—	—
ORS3096N						—	—	—	—	—	—
ORS3396N						—	—	—	—	—	—
ORS3696N						—	—	—	—	—	—

Options Key: D=Number of Doors DF=Number of Drawer Fronts DB=Drawer Box EXT=Extended Stiles EXP=Exposed End FL=Flush End WS=Solid Wood Shelf MI=Matching Interior FT=Flush Toe



W1D/ - Wall One Drawer



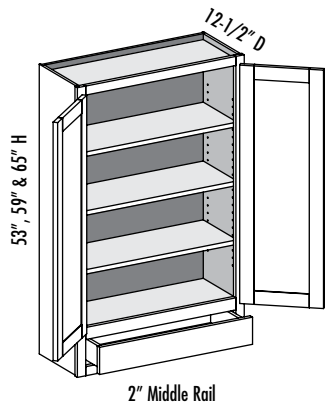
Custom Size Ranges
Width: 12"– 24"
Height: 30"– 66"
Depth: 5-1/2"– 24"

D	DF	DB	EXT	EXP	FL	WS	MI	FT
1	1	1	✓	✓	✓	✓	✓	

- Side mount slides only
- 30"– 35-15/16" high has one shelf
- 36"– 47-15/16" high has two shelves
- 48"– 59-15/16" high has three shelves
- 60"– 66" high has four shelves
- When height changes, upper opening height changes. Lower opening height fixed at 4"
- When ordering custom size cabinets 24" wide, specify single or butt doors

Cabinet Code	Advantage				Essence	Doors			Drawer Fronts		
	Price	Exposed End (ea.)	Flush End (ea.)	Shelf	Price	Inset	1/2"	1-1/4"	Inset	1/2"	1-1/4"
W1D1553N						3.6	4.1	4.7	0.3	0.5	0.5
W1D1853N						4.5	5.0	5.7	0.4	0.6	0.6
W1D2153N						5.4	5.9	6.6	0.5	0.7	0.7
W1D2453N						6.3	6.9	7.6	0.6	0.8	0.9
W1D1559N						4.1	4.6	5.3	0.3	0.5	0.5
W1D1859N						5.1	5.7	6.4	0.4	0.6	0.6
W1D2159N						6.2	6.7	7.5	0.5	0.7	0.7
W1D2459N						7.2	7.8	8.6	0.6	0.8	0.9
W1D1565N						4.6	5.1	5.9	0.3	0.5	0.5
W1D1865N						5.7	6.3	7.1	0.4	0.6	0.6
W1D2165N						6.9	7.5	8.3	0.5	0.7	0.7
W1D2465N						8.1	8.7	9.5	0.6	0.8	0.9

W1D - Wall One Drawer w/Butt Doors



Custom Size Ranges
Width: 24"– 36"
Height: 30"– 66"
Depth: 5-1/2"– 24"

D	DF	DB	EXT	EXP	FL	WS	MI	FT
2	1	1	✓	✓	✓	✓	✓	

- Side mount slides only
- 30"– 35-15/16" high has one shelf
- 36"– 47-15/16" high has two shelves
- 48"– 59-15/16" high has three shelves
- 60"– 66" high has four shelves
- When height changes, upper opening height changes. Lower opening height fixed at 4"
- When ordering custom size cabinets 24" wide, specify single or butt doors

Cabinet Code	Advantage				Essence	Doors			Drawer Fronts		
	Price	Exposed End (ea.)	Flush End (ea.)	Shelf	Price	Inset	1/2"	1-1/4"	Inset	1/2"	1-1/4"
W1D2453BDN						6.3	6.8	7.5	0.6	0.8	0.9
W1D2753BDN						7.2	7.8	8.5	0.6	0.9	1.0
W1D3053BDN						8.1	8.7	9.5	0.7	1.0	1.1
W1D3353BDN						9.0	9.6	10.5	0.8	1.1	1.2
W1D3653BDN						9.9	10.6	11.4	0.9	1.2	1.3
W1D2459BDN						7.1	7.7	8.5	0.6	0.8	0.9
W1D2759BDN						8.2	8.8	9.6	0.6	0.9	1.0

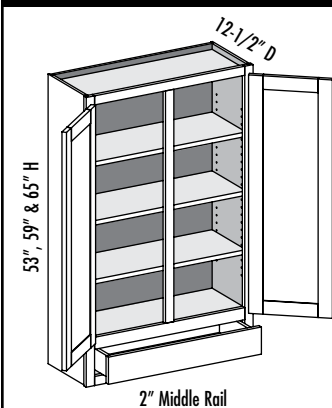
Options Key: **D**=Number of Doors **DF**=Number of Drawer Fronts **DB**=Drawer Box **EXT**=Extended Stiles **EXP**=Exposed End **FL**=Flush End **WS**=Solid Wood Shelf **MI**=Matching Interior **FT**=Flush Toe



W1D - Wall One Drawer w/Butt Doors - continued

Cabinet Code	Advantage				Essence	Doors			Drawer Fronts		
	Price	Exposed End (ea.)	Flush End (ea.)	Shelf	Price	Inset	1/2"	1-1/4"	Inset	1/2"	1-1/4"
W1D3059BDN						9.2	9.9	10.7	0.7	1.0	1.1
W1D3359BDN						10.2	10.9	11.8	0.8	1.1	1.2
W1D3659BDN						11.3	12.0	12.9	0.9	1.2	1.3
W1D2465BDN						8.0	8.7	9.5	0.6	0.8	0.9
W1D2765BDN						9.2	9.8	10.7	0.6	0.9	1.0
W1D3065BDN						10.3	11.0	11.9	0.7	1.0	1.1
W1D3365BDN						11.5	12.2	13.2	0.8	1.1	1.2
W1D3665BDN						12.6	13.4	14.4	0.9	1.2	1.3

W1D/ - Wall One Drawer w/Center Stile



Custom Size Ranges
 Width: 24" - 36"
 Height: 30" - 66"
 Depth: 5-1/2" - 24"

D	DF	DB	EXT	EXP	FL	WS	MI	FT
2	1	1	✓	✓	✓	✓	✓	

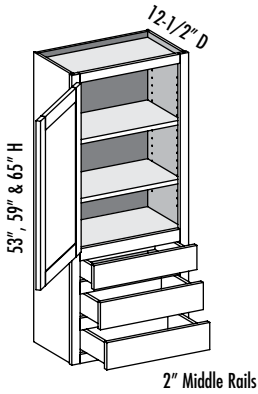
- Side mount slides only
- 30" - 35-15/16" high has one shelf
- 36" - 47-15/16" high has two shelves
- 48" - 59-15/16" high has three shelves
- 60" - 66" high has four shelves
- When height changes, upper opening height changes. Lower opening height fixed at 4"
- When ordering custom size cabinets 24" wide, specify single or butt doors

Cabinet Code	Advantage				Essence	Doors			Drawer Fronts		
	Price	Exposed End (ea.)	Flush End (ea.)	Shelf	Price	Inset	1/2"	1-1/4"	Inset	1/2"	1-1/4"
W1D2753N						6.7	7.7	8.4	0.6	0.9	1.0
W1D3053N						7.6	8.6	9.4	0.7	1.0	1.1
W1D3353N						8.6	9.5	10.3	0.8	1.1	1.2
W1D3653N						9.5	10.5	11.3	0.9	1.2	1.3
W1D2759N						7.7	8.7	9.5	0.6	0.9	1.0
W1D3059N						8.7	9.7	10.6	0.7	1.0	1.1
W1D3359N						9.7	10.8	11.7	0.8	1.1	1.2
W1D3659N						10.8	11.9	12.8	0.9	1.2	1.3
W1D2765N						8.6	9.7	10.6	0.6	0.9	1.0
W1D3065N						9.7	10.9	11.8	0.7	1.0	1.1
W1D3365N						10.9	12.1	13.0	0.8	1.1	1.2
W1D3665N						12.1	13.3	14.2	0.9	1.2	1.3

Options Key: D=Number of Doors DF=Number of Drawer Fronts DB=Drawer Box EXT=Extended Stiles EXP=Exposed End FL=Flush End WS=Solid Wood Shelf MI=Matching Interior FT=Flush Toe



W3D - Wall Three Drawer



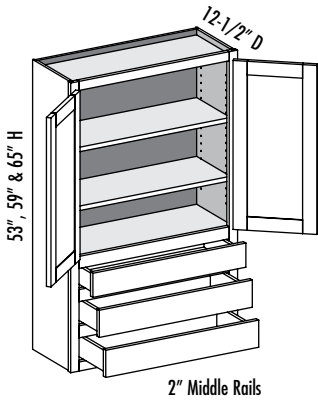
Custom Size Ranges
 Width: 12"– 24"
 Height: 30"– 66"
 Depth: 5-1/2"– 24"

D	DF	DB	EXT	EXP	FL	WS	MI	FT
1	3	3	✓	✓	✓	✓	✓	

- Side mount slides only
- 30"– 41-15/16" high has no shelves
- 42"– 47-15/16" high has one shelf
- 48"– 59-15/16" high has two shelves
- 60"– 66" high has three shelves
- When height changes, upper opening height changes. Lower opening height fixed at 4"
- When ordering custom size cabinets 24" wide, specify single or butt doors

Cabinet Code	Advantage				Essence	Doors			Drawer Fronts		
	Price	Exposed End (ea.)	Flush End (ea.)	Shelf	Price	Inset	1/2"	1-1/4"	Inset	1/2"	1-1/4"
W3D1553N						2.6	3.0	3.5	0.9	1.4	1.6
W3D1853N						3.3	3.7	4.2	1.2	1.7	2.0
W3D2153N						3.9	4.4	4.9	1.4	2.0	2.3
W3D2453N						4.6	5.0	5.6	1.7	2.3	2.7
W3D1559N						3.1	3.5	4.1	0.9	1.4	1.6
W3D1859N						3.9	4.3	4.9	1.2	1.7	2.0
W3D2159N						4.7	5.1	5.8	1.4	2.0	2.3
W3D2459N						5.5	6.0	6.6	1.7	2.3	2.7
W3D1565N						3.6	4.1	4.7	0.9	1.4	1.6
W3D1865N						4.5	5.0	5.7	1.2	1.7	2.0
W3D2165N						5.4	5.9	6.6	1.4	2.0	2.3
W3D2465N						6.3	6.9	7.6	1.7	2.3	2.7

W3D - Wall Three Drawer w/Butt Doors



Custom Size Ranges
 Width: 12"– 24"
 Height: 30"– 66"
 Depth: 5-1/2"– 24"

D	DF	DB	EXT	EXP	FL	WS	MI	FT
2	3	3	✓	✓	✓	✓	✓	

- Side mount slides only
- 30"– 41-15/16" high has no shelves
- 42"– 47-15/16" high has one shelf
- 48"– 59-15/16" high has two shelves
- 60"– 66" high has three shelves
- When height changes, upper opening height changes. Lower opening height fixed at 4"
- When ordering custom size cabinets 24" wide, specify single or butt doors

Cabinet Code	Advantage				Essence	Doors			Drawer Fronts		
	Price	Exposed End (ea.)	Flush End (ea.)	Shelf	Price	Inset	1/2"	1-1/4"	Inset	1/2"	1-1/4"
W3D2453BDN						4.6	5.0	5.6	1.7	2.3	2.7
W3D2753BDN						5.2	5.7	6.3	1.9	2.6	3.0
W3D3053BDN						5.9	6.4	7.0	2.1	2.9	3.3
W3D3353BDN						6.5	7.1	7.8	2.4	3.2	3.7
W3D3653BDN						7.2	7.8	8.5	2.6	3.5	4.0
W3D2459BDN						5.4	5.9	6.6	1.7	2.3	2.7
W3D2759BDN						6.2	6.7	7.4	1.9	2.6	3.0

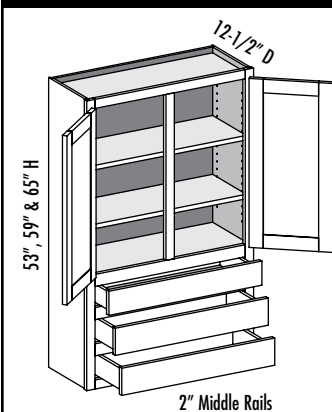
Options Key: **D**=Number of Doors **DF**=Number of Drawer Fronts **DB**=Drawer Box **EXT**=Extended Stiles **EXP**=Exposed End **FL**=Flush End **WS**=Solid Wood Shelf **MI**=Matching Interior **FT**=Flush Toe



W3D - Wall Three Drawer w/Butt Doors - continued

Cabinet Code	Advantage				Essence	Doors			Drawer Fronts		
	Price	Exposed End (ea.)	Flush End (ea.)	Shelf	Price	Inset	1/2"	1-1/4"	Inset	1/2"	1-1/4"
W3D3059BDN						7.0	7.5	8.3	2.1	2.9	3.3
W3D3359BDN						7.8	8.4	9.1	2.4	3.2	3.7
W3D3659BDN						8.6	9.2	9.9	2.6	3.5	4.0
W3D2465BDN						6.3	6.8	7.5	1.7	2.3	2.7
W3D2765BDN						7.2	7.8	8.5	1.9	2.6	3.0
W3D3065BDN						8.1	8.7	9.5	2.1	2.9	3.3
W3D3365BDN						9.0	9.6	10.5	2.4	3.2	3.7
W3D3665BDN						9.9	10.6	11.4	2.6	3.5	4.0

W3D - Wall Three Drawer w/Center Stile



Custom Size Ranges
 Width: 24"– 36"
 Height: 30"– 66"
 Depth: 5-1/2"– 24"

D	DF	DB	EXT	EXP	FL	WS	MI	FT
2	3	3	✓	✓	✓	✓	✓	

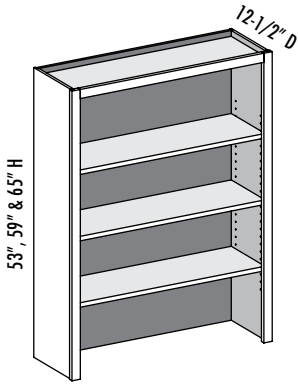
- Side mount slides only
- 30"– 41-15/16" high has no shelves
- 42"– 47-15/16" high has one shelf
- 48"– 59-15/16" high has two shelves
- 60"– 66" high has three shelves
- When height changes, upper opening height changes. Lower opening height fixed at 4"
- When ordering custom size cabinets 24" wide, specify single or butt doors

Cabinet Code	Advantage				Essence	Doors			Drawer Fronts		
	Price	Exposed End (ea.)	Flush End (ea.)	Shelf	Price	Inset	1/2"	1-1/4"	Inset	1/2"	1-1/4"
W3D2753N						4.9	5.6	6.2	1.9	2.6	3.0
W3D3053N						5.6	6.3	6.9	2.1	2.9	3.3
W3D3353N						6.2	7.0	7.7	2.4	3.2	3.7
W3D3653N						6.9	7.7	8.4	2.6	3.5	4.0
W3D2759N						5.8	6.6	3.7	1.9	2.6	3.0
W3D3059N						6.6	7.4	4.1	2.1	2.9	3.3
W3D3359N						7.4	8.3	4.5	2.4	3.2	3.7
W3D3659N						8.2	9.1	4.9	2.6	3.5	4.0
W3D2765N						6.7	7.7	8.4	1.9	2.6	3.0
W3D3065N						7.6	8.6	9.4	2.1	2.9	3.3
W3D3365N						8.6	9.5	10.3	2.4	3.2	3.7
W3D3665N						9.5	10.5	11.3	2.6	3.5	4.0

Options Key: D=Number of Doors DF=Number of Drawer Fronts DB=Drawer Box EXT=Extended Stiles EXP=Exposed End FL=Flush End WS=Solid Wood Shelf MI=Matching Interior FT=Flush Toe



WOBS - Wall Open Bookshelf



Custom Size Ranges
 Width: 15"– 36"
 Height: 30"– 66"
 Depth: 12-1/2"– 27"

D	DF	DB	EXT	EXP	FL	WS	MI	FT
			✓	✓	✓	✓	✓	

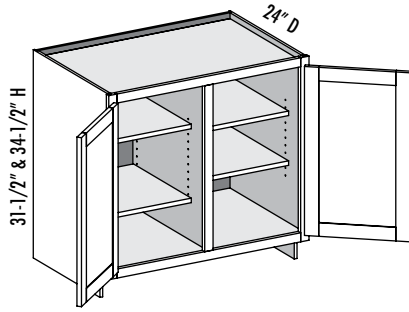
- 30"– 35-15/16" high has one shelf
- 36"– 47-15/16" high has two shelves
- 48"– 59-15/16" high has three shelves
- 60"– 66" high has four shelves

Cabinet Code	Advantage			Essence	Doors			Drawer Fronts			
	Price	Exposed End (ea.)	Flush End (ea.)	Shelf	Price	Inset	1/2"	1-1/4"	Inset	1/2"	1-1/4"
WOBS1553N						—	—	—	—	—	—
WOBS1853N						—	—	—	—	—	—
WOBS2153N						—	—	—	—	—	—
WOBS2453N						—	—	—	—	—	—
WOBS2753N						—	—	—	—	—	—
WOBS3053N						—	—	—	—	—	—
WOBS3353N						—	—	—	—	—	—
WOBS3653N						—	—	—	—	—	—
WOBS1559N						—	—	—	—	—	—
WOBS1859N						—	—	—	—	—	—
WOBS2159N						—	—	—	—	—	—
WOBS2459N						—	—	—	—	—	—
WOBS2759N						—	—	—	—	—	—
WOBS3059N						—	—	—	—	—	—
WOBS3359N						—	—	—	—	—	—
WOBS3659N						—	—	—	—	—	—
WOBS1565N						—	—	—	—	—	—
WOBS1865N						—	—	—	—	—	—
WOBS2165N						—	—	—	—	—	—
WOBS2465N						—	—	—	—	—	—
WOBS2765N						—	—	—	—	—	—
WOBS3065N						—	—	—	—	—	—
WOBS3365N						—	—	—	—	—	—
WOBS3665N						—	—	—	—	—	—

Options Key: D=Number of Doors DF=Number of Drawer Fronts DB=Drawer Box EXT=Extended Stiles EXP=Exposed End FL=Flush End WS=Solid Wood Shelf MI=Matching Interior FT=Flush Toe



MC2FD/CSMC2FD - Media Center Two Full Doors



Custom Size Ranges
 Width: 30"– 48"
 Height: 10"– 48"
 Depth: 5-1/2"– 30"

D	DF	DB	EXT	EXP	FL	WS	MI	FT
2			✓	✓	✓	✓	✓	✓

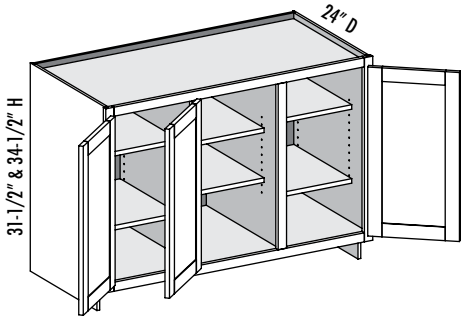
- 10"– 22" high has no shelves
- 22-1/16"– 28" high has one shelf
- 28-1/16"– 40" high has two shelves
- 40-1/16"– 48" high has three shelves
- Fixed vertical partition with independently adjustable shelves

Cabinet Code	Advantage			Essence	Doors			Drawer Fronts			
	Price	Exposed End (ea.)	Flush End (ea.)	Shelf	Price	Inset	1/2"	1-1/4"	Inset	1/2"	1-1/4"
MC2FD3031.5N						4.2	4.9	5.4	—	—	—
MC2FD3331.5N						4.7	5.4	6.0	—	—	—
MC2FD3631.5N						5.3	5.9	6.6	—	—	—
MC2FD3931.5N						5.8	6.5	7.1	—	—	—
MC2FD4231.5N						6.3	7.0	7.7	—	—	—
MC2FD4531.5N						6.8	7.5	8.3	—	—	—
MC2FD4831.5N						7.3	8.1	8.8	—	—	—
MC2FD3034.5N						4.8	5.4	6.0	—	—	—
MC2FD3334.5N						5.3	6.0	6.7	—	—	—
MC2FD3634.5N						5.9	6.6	7.3	—	—	—
MC2FD3934.5N						6.5	7.2	7.9	—	—	—
MC2FD4234.5N						7.0	7.8	8.5	—	—	—
MC2FD4534.5N						7.6	8.4	9.2	—	—	—
MC2FD4834.5N						8.2	9.0	9.8	—	—	—

Options Key: D=Number of Doors DF=Number of Drawer Fronts DB=Drawer Box EXT=Extended Stiles EXP=Exposed End FL=Flush End
 WS=Solid Wood Shelf MI=Matching Interior FT=Flush Toe



MC3FD/CSMC3FD - Media Center Three Full Doors



Custom Size Ranges
 Width: 48"– 72"
 Height: 10"– 48"
 Depth: 5-1/2"– 30"

D	DF	DB	EXT	EXP	FL	WS	MI	FT
3			✓	✓	✓	✓	✓	✓

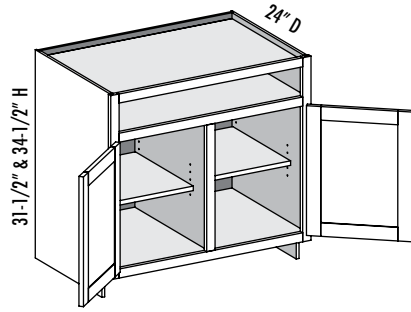
- 10"– 22" high has no shelves
- 22-1/16"– 28" high has one shelf
- 28-1/16"– 40" high has two shelves
- 40-1/16"– 48" high has three shelves
- Fixed vertical partition with independently adjustable shelves

Cabinet Code	Advantage				Essence	Doors			Drawer Fronts		
	Price	Exposed End (ea.)	Flush End (ea.)	Shelf	Price	Inset	1/2"	1-1/4"	Inset	1/2"	1-1/4"
MC3FD4831.5N						7.0	8.0	8.7	—	—	—
MC3FD5131.5N						7.5	8.5	9.3	—	—	—
MC3FD5431.5N						8.0	9.0	9.8	—	—	—
MC3FD5731.5N						8.5	9.6	10.4	—	—	—
MC3FD6031.5N						9.0	10.1	11.0	—	—	—
MC3FD6331.5N						9.5	10.6	11.5	—	—	—
MC3FD6631.5N						10.0	11.2	12.1	—	—	—
MC3FD6931.5N						10.5	11.7	12.7	—	—	—
MC3FD7231.5N						11.0	12.2	13.2	—	—	—
MC3FD4834.5N						7.9	8.9	9.7	—	—	—
MC3FD5134.5N						8.4	9.5	10.3	—	—	—
MC3FD5434.5N						9.0	10.1	10.9	—	—	—
MC3FD5734.5N						9.6	10.7	11.6	—	—	—
MC3FD6034.5N						10.1	11.3	12.2	—	—	—
MC3FD6334.5N						10.7	11.9	12.8	—	—	—
MC3FD6634.5N						11.3	12.5	13.4	—	—	—
MC3FD6934.5N						11.8	13.1	14.1	—	—	—
MC3FD7234.5N						12.4	13.7	14.7	—	—	—

Options Key: D=Number of Doors DF=Number of Drawer Fronts DB=Drawer Box EXT=Extended Stiles EXP=Exposed End FL=Flush End WS=Solid Wood Shelf MI=Matching Interior FT=Flush Toe



MC2D/CSMC2D - Media Center Two Door



Custom Size Ranges
 Width: 30"– 48"
 Height: 31-1/2"– 42"
 Depth: 5-1/2"– 30"

D	DF	DB	EXT	EXP	FL	WS	MI	FT
2			✓	✓	✓	✓	✓	✓

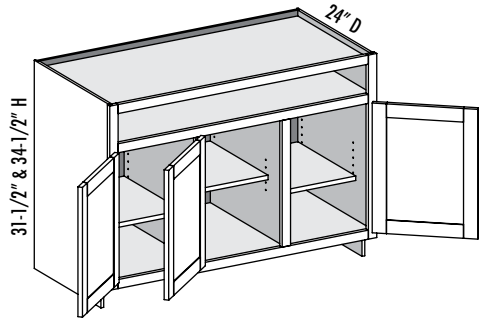
- Fixed vertical partition with independently adjustable shelves
- When height changes, lower opening height changes. Top opening height fixed at 5"

Cabinet Code	Advantage				Essence	Doors			Drawer Fronts		
	Price	Exposed End (ea.)	Flush End (ea.)	Shelf	Price	Inset	1/2"	1-1/4"	Inset	1/2"	1-1/4"
MC2D3031.5N						3.1	3.6	4.1	—	—	—
MC2D3331.5N						3.5	4.0	4.5	—	—	—
MC2D3631.5N						3.9	4.4	4.9	—	—	—
MC2D3931.5N						4.2	4.8	5.3	—	—	—
MC2D4231.5N						4.6	5.2	5.8	—	—	—
MC2D4531.5N						5.0	5.6	6.2	—	—	—
MC2D4831.5N						5.3	6.0	6.6	—	—	—
MC2D3034.5N						3.6	4.2	4.7	—	—	—
MC2D3334.5N						4.1	4.7	5.2	—	—	—
MC2D3634.5N						4.5	5.1	5.7	—	—	—
MC2D3934.5N						4.9	5.6	6.1	—	—	—
MC2D4234.5N						5.4	6.0	6.6	—	—	—
MC2D4534.5N						5.8	6.5	7.1	—	—	—
MC2D4834.5N						6.2	7.0	7.6	—	—	—

Options Key: D=Number of Doors DF=Number of Drawer Fronts DB=Drawer Box EXT=Extended Stiles EXP=Exposed End FL=Flush End
 WS=Solid Wood Shelf MI=Matching Interior FT=Flush Toe



MC3D/CSMC3D - Media Center Three Door



Custom Size Ranges
 Width: 48"– 72"
 Height: 31-1/2"– 42"
 Depth: 5-1/2"– 30"

D	DF	DB	EXT	EXP	FL	WS	MI	FT
3			✓	✓	✓	✓	✓	✓

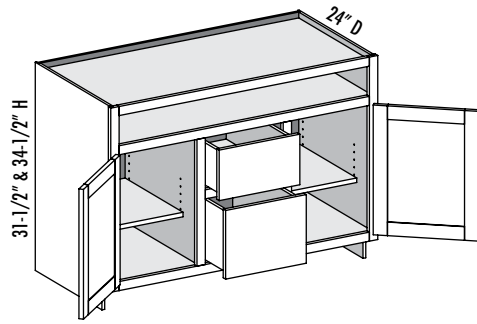
- Fixed vertical partition with independently adjustable shelves
- When height changes, lower opening height changes. Top opening height fixed at 5"

Cabinet Code	Advantage				Essence	Doors			Drawer Fronts		
	Price	Exposed End (ea.)	Flush End (ea.)	Shelf	Price	Inset	1/2"	1-1/4"	Inset	1/2"	1-1/4"
MC3D4831.5N						5.1	5.9	6.5	—	—	—
MC3D5131.5N						5.5	6.3	7.0	—	—	—
MC3D5431.5N						5.9	6.7	7.4	—	—	—
MC3D5731.5N						6.2	7.1	7.8	—	—	—
MC3D6031.5N						6.6	7.5	8.2	—	—	—
MC3D6331.5N						7.0	7.9	8.6	—	—	—
MC3D6631.5N						7.4	8.3	9.1	—	—	—
MC3D6931.5N						7.7	8.7	9.5	—	—	—
MC3D7231.5N						8.1	9.1	9.9	—	—	—
MC3D4834.5N						6.0	6.9	7.5	—	—	—
MC3D5134.5N						6.4	7.3	8.0	—	—	—
MC3D5434.5N						6.9	7.8	8.5	—	—	—
MC3D5734.5N						7.3	8.3	9.0	—	—	—
MC3D6034.5N						7.7	8.7	9.4	—	—	—
MC3D6334.5N						8.2	9.2	9.9	—	—	—
MC3D6634.5N						8.6	9.6	10.4	—	—	—
MC3D6934.5N						9.0	10.1	10.9	—	—	—
MC3D7234.5N						9.5	10.5	11.4	—	—	—

Options Key: D=Number of Doors DF=Number of Drawer Fronts DB=Drawer Box EXT=Extended Stiles EXP=Exposed End FL=Flush End WS=Solid Wood Shelf MI=Matching Interior FT=Flush Toe



MC2D2D/CSMC2D2D - Media Center Two Door Two Drawer



Custom Size Ranges

Width: 48" - 72"

Height: 31-1/2" - 34-1/2"

Depth: 12", 15", 18",
21", 24", 27", 30"

D	DF	DB	EXT	EXP	FL	WS	MI	FT
2	2	2	✓	✓	✓	✓	✓	✓

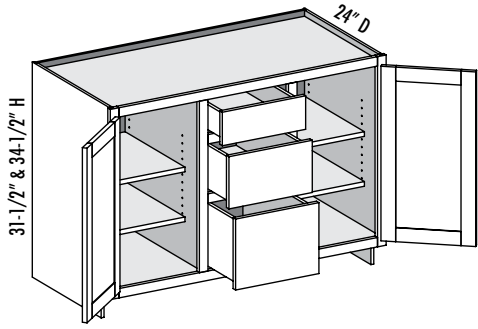
- Fixed vertical partition with independently adjustable shelves
- When height changes, lower opening height changes. Top opening height fixed at 5". Top drawer opening height fixed at 8"
- 12", 15", 27" and 30" cabinet depths are available with TANDEM slides only

Cabinet Code	Advantage				Essence	Doors			Drawer Fronts		
	Price	Exposed End (ea.)	Flush End (ea.)	Shelf	Price	Inset	1/2"	1-1/4"	Inset	1/2"	1-1/4"
MC2D2D4831.5N						3.4	4.0	4.4	1.5	1.9	2.1
MC2D2D5131.5N						3.7	4.2	4.7	1.7	2.1	2.2
MC2D2D5431.5N						3.9	4.5	5.0	1.8	2.2	2.3
MC2D2D5731.5N						4.1	4.8	5.3	1.9	2.3	2.5
MC2D2D6031.5N						4.4	5.0	5.6	2.0	2.4	2.6
MC2D2D6331.5N						4.7	5.3	5.8	2.1	2.6	2.7
MC2D2D6631.5N						4.9	5.5	6.1	2.2	2.7	2.9
MC2D2D6931.5N						5.1	5.8	6.4	2.3	2.8	3.0
MC2D2D7231.5N						5.4	6.1	6.7	2.4	2.9	3.2
MC2D2D4834.5N						4.0	4.6	5.1	1.8	2.2	2.4
MC2D2D5134.5N						4.3	4.9	5.4	2.0	2.4	2.5
MC2D2D5434.5N						4.6	5.2	5.7	2.1	2.5	2.7
MC2D2D5734.5N						4.9	5.5	6.1	2.2	2.7	2.8
MC2D2D6034.5N						5.1	5.8	6.4	2.4	2.8	3.0
MC2D2D6334.5N						5.4	6.1	6.7	2.5	3.0	3.2
MC2D2D6634.5N						5.7	6.4	7.0	2.6	3.1	3.3
MC2D2D6934.5N						6.0	6.7	7.3	2.8	3.3	3.5
MC2D2D7234.5N						6.3	7.0	7.7	2.9	3.4	3.6

Options Key: D=Number of Doors DF=Number of Drawer Fronts DB=Drawer Box EXT=Extended Stiles EXP=Exposed End FL=Flush End WS=Solid Wood Shelf MI=Matching Interior FT=Flush Toe



MC2D3D/CSMC2D3D - Media Center Two Door Three Drawer



Custom Size Ranges
 Width: 48"–72"
 Height: 31-1/2"–34-1/2"
 Depth: 12", 15", 18",
 21", 24", 27", 30"

D	DF	DB	EXT	EXP	FL	WS	MI	FT
2	3	3	✓	✓	✓	✓	✓	✓

- Fixed vertical partition with independently adjustable shelves
- When height changes, lower opening height changes. Upper drawer opening heights fixed at 5" and 8"
- 12", 15", 27" and 30" cabinet depths are available with TANDEM slides only

Cabinet Code	Advantage				Essence	Doors			Drawer Fronts		
	Price	Exposed End (ea.)	Flush End (ea.)	Shelf	Price	Inset	1/2"	1-1/4"	Inset	1/2"	1-1/4"
MC2D3D4831.5N						4.7	5.3	5.9	2.0	2.6	2.7
MC2D3D5131.5N						5.0	5.7	6.3	2.1	2.7	2.9
MC2D3D5431.5N						5.3	6.0	6.7	2.3	2.9	3.1
MC2D3D5731.5N						5.7	6.4	7.0	2.4	3.1	3.3
MC2D3D6031.5N						6.0	6.7	7.4	2.6	3.2	3.4
MC2D3D6331.5N						6.4	7.1	7.8	2.7	3.4	3.6
MC2D3D6631.5N						6.7	7.4	8.2	2.9	3.6	3.8
MC2D3D6931.5N						7.0	7.8	8.5	3.0	3.7	4.0
MC2D3D7231.5N						7.4	8.1	8.9	3.2	3.9	4.2
MC2D3D4834.5N						5.2	5.9	6.6	2.3	2.9	3.0
MC2D3D5134.5N						5.6	6.3	7.0	2.5	3.1	3.2
MC2D3D5434.5N						6.0	6.7	7.4	2.6	3.3	3.4
MC2D3D5734.5N						6.4	7.1	7.8	2.8	3.4	3.6
MC2D3D6034.5N						6.8	7.5	8.2	3.0	3.6	3.8
MC2D3D6334.5N						7.1	7.9	8.6	3.1	3.8	4.0
MC2D3D6634.5N						7.5	8.3	9.1	3.3	4.0	4.2
MC2D3D6934.5N						7.9	8.7	9.5	3.5	4.2	4.4
MC2D3D7234.5N						8.3	9.1	9.9	3.6	4.4	4.6

Options Key: D=Number of Doors DF=Number of Drawer Fronts DB=Drawer Box EXT=Extended Stiles EXP=Exposed End FL=Flush End WS=Solid Wood Shelf MI=Matching Interior FT=Flush Toe