



Tall Cabinet Discontinuation

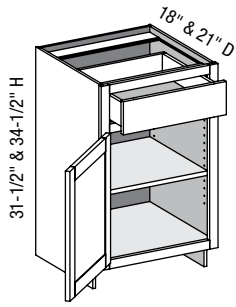
Effective November 4, 2016

Tall Utility, Vanity Linen and Home Office/Other Room Cabinetry will no longer be available in the Essence Line.

This change is being made due to excessive breakage of large particle board sides internally, during shipment and within our customer's facilities.

If Essence tall cabinets are ordered, they will be converted to Advantage plywood construction and priced accordingly.

VB/CSB - Vanity Base



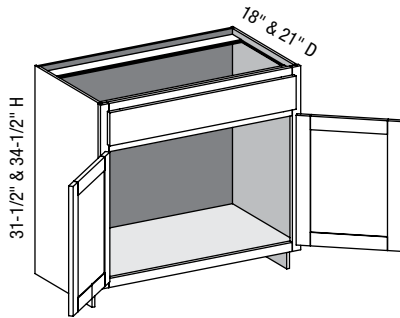
Custom Size Ranges
 Width: 12" – 24"
 Height: 31-1/2" – 42"
 Depth: 12", 15", 18", 21",
 24", 27", 30"

D	DF	DB	EXT	EXP	FL	WS	MI	FT
1	1	1	✓	✓	✓	✓	✓	✓

- When height changes, lower opening height changes. Upper opening height fixed at 5".
- Specify single or butt doors on cabinets 24" wide.
- 12", 15", 27" and 30" cabinet depths are available with TANDEM slides only.

Cabinet Code	Advantage				Essence	Doors			Drawer Fronts		
	Price	Exposed End (ea.)	Flush End (ea.)	Shelf	Price	Inset	1/2"	1-1/4"	Inset	1/2"	1-1/4"
VB1231.5						1.1	1.3	1.6	0.3	0.4	0.5
VB1531.5						1.5	1.7	2.0	0.4	0.5	0.6
VB1831.5						1.8	2.1	2.5	0.5	0.7	0.8
VB2131.5						2.2	2.5	2.9	0.6	0.8	0.9
VB1234.5						1.3	1.5	1.9	0.3	0.4	0.5
VB1534.5						1.7	2.0	2.3	0.4	0.5	0.6
VB1834.5						2.1	2.4	2.8	0.5	0.7	0.8
VB2134.5						2.6	2.9	3.3	0.6	0.8	0.9

VS/CSBS - Vanity Sink w/Butt Doors



Custom Size Ranges
 Width: 24" – 36"
 Height: 31-1/2" – 42"
 Depth: 18" – 30"

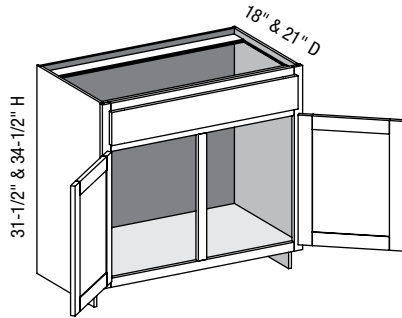
D	DF	DB	EXT	EXP	FL	WS	MI	FT
2	1		✓	✓	✓		✓	✓

- False drawer.
- No drawer boxes, shelf support holes or shelf with sink units.
- When height changes, lower opening height changes. Upper opening height fixed at 5".
- Specify single or butt doors on cabinets 24" wide.

Cabinet Code	Advantage				Essence	Doors			Drawer Fronts		
	Price	Exposed End (ea.)	Flush End (ea.)	Shelf	Price	Inset	1/2"	1-1/4"	Inset	1/2"	1-1/4"
VS2431.5BD				—		2.6	2.9	3.3	0.7	0.9	1.0
VS2731.5BD				—		2.9	3.3	3.7	0.8	1.0	1.2
VS3031.5BD				—		3.3	3.7	4.1	0.9	1.2	1.3
VS3331.5BD				—		3.7	4.1	4.6	1.0	1.3	1.4
VS3631.5BD				—		4.0	4.5	5.0	1.1	1.4	1.5
VS2434.5BD				—		3.0	3.3	3.8	0.7	0.9	1.0
VS2734.5BD				—		3.4	3.8	4.3	0.8	1.0	1.2
VS3034.5BD				—		3.8	4.3	4.7	0.9	1.2	1.3
VS3334.5BD				—		4.3	4.7	5.2	1.0	1.3	1.4
VS3634.5BD				—		4.7	5.2	5.7	1.1	1.4	1.5

Options Key: D=Number of Doors DF=Number of Drawer Fronts DB=Drawer Boxes EXT=Extended Stiles EXP=Exposed End(s)
 FL=Flush End(s) WS=Solid Wood Shelves MI=Matching Interior FT=Flush Toe

VS/CSBS2D1D - Vanity Sink Two Door One Drawer



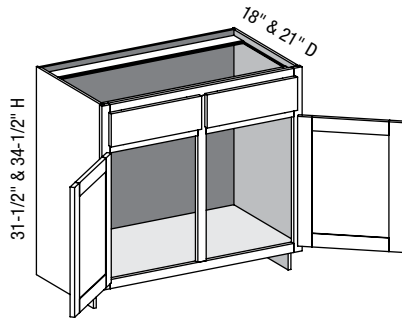
Custom Size Ranges
 Width: 24"– 36"
 Height: 31-1/2"– 42"
 Depth: 18"– 30"

D	DF	DB	EXT	EXP	FL	WS	MI	FT
2	1		✓	✓	✓		✓	✓

- False drawer front.
- No drawer boxes, shelf support holes or shelf with sink units.
- When height changes, lower opening height changes. Upper opening height fixed at 5".

Cabinet Code	Advantage				Essence	Doors			Drawer Fronts		
	Price	Exposed End (ea.)	Flush End (ea.)	Shelf		Price	Inset	1/2"	1-1/4"	Inset	1/2"
VS3031.5				—		3.1	3.6	4.1	0.9	1.2	1.3
VS3331.5				—		3.5	4.0	4.5	1.0	1.3	1.4
VS3631.5				—		3.9	4.4	4.9	1.1	1.4	1.5
VS3034.5				—		3.6	4.2	4.7	0.9	1.2	1.3
VS3334.5				—		4.1	4.7	5.2	1.0	1.3	1.4
VS3634.5				—		4.5	5.1	5.7	1.1	1.4	1.5

VSX/CSBS2D2D - Vanity Sink Two Door Two Drawer



Custom Size Ranges
 Width: 30"– 48"
 Height: 31-1/2"– 42"
 Depth: 18"– 30"

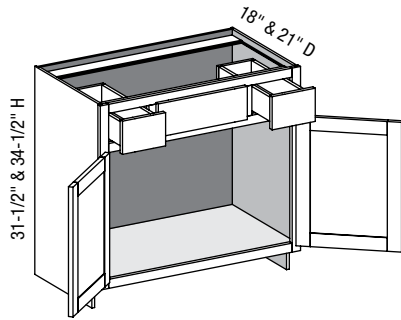
D	DF	DB	EXT	EXP	FL	WS	MI	FT
2	2		✓	✓	✓		✓	✓

- False drawer front.
- No drawer boxes, shelf support holes or shelf with sink units.
- When height changes, lower opening height changes. Upper opening height fixed at 5".

Cabinet Code	Advantage				Essence	Doors			Drawer Fronts		
	Price	Exposed End (ea.)	Flush End (ea.)	Shelf		Price	Inset	1/2"	1-1/4"	Inset	1/2"
VSX3031.5				—		3.1	3.6	4.1	0.8	1.1	1.3
VSX3631.5				—		3.9	4.4	4.9	1.0	1.4	1.5
VSX3034.5				—		3.6	4.2	4.7	0.8	1.1	1.3
VSX3634.5				—		4.5	5.1	5.7	1.0	1.4	1.5

Options Key: D=Number of Doors DF=Number of Drawer Fronts DB=Drawer Boxes EXT=Extended Stiles EXP=Exposed End(s)
 FL=Flush End(s) WS=Solid Wood Shelves MI=Matching Interior FT=Flush Toe

VBS/CSVBS - Vanity Base Sink w/Butt Doors



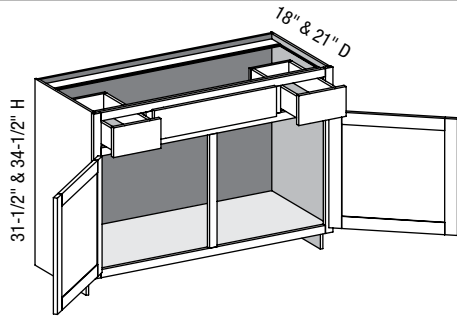
Custom Size Ranges
 Width: 36"
 Height: 31-1/2"– 42"
 Depth: 12", 15", 18", 21"
 24", 27", 30"

D	DF	DB	EXT	EXP	FL	WS	MI	FT
2	3	2	✓	✓	✓		✓	✓

- False top middle drawer front.
- No shelf support holes or shelf.
- When height changes, lower opening height changes. Upper opening height fixed at 5".
- 12", 15", 27" and 30" cabinet depths are available with TANDEM slides only.

Cabinet Code	Advantage				Essence	Doors			Drawer Fronts		
	Price	Exposed End (ea.)	Flush End (ea.)	Shelf	Price	Inset	1/2"	1-1/4"	Inset	1/2"	1-1/4"
VBS3631.5BD				—		4.0	4.5	5.0	1.0	1.4	1.5
VBS3634.5BD				—		4.7	5.2	5.7	1.0	1.4	1.5

VBS/CSVBCS - Vanity Base Sink w/Center Stile



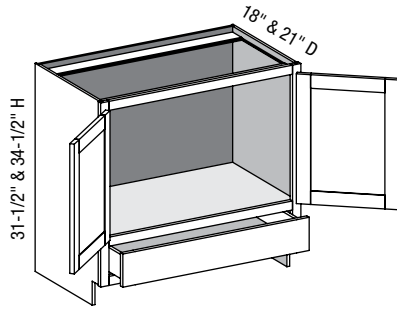
Custom Size Ranges
 Width: 36"– 48"
 Height: 31-1/2"– 42"
 Depth: 12", 15", 18", 21"
 24", 27", 30"

D	DF	DB	EXT	EXP	FL	WS	MI	FT
2	3	2	✓	✓	✓		✓	✓

- False top middle drawer front.
- No shelf support holes or shelf.
- When height changes, lower opening height changes. Upper opening height fixed at 5".
- When width changes, middle opening width changes. Left and right opening widths fixed at 9".
- 12", 15", 27" and 30" cabinet depths are available with TANDEM slides only.

Cabinet Code	Advantage				Essence	Doors			Drawer Fronts		
	Price	Exposed End (ea.)	Flush End (ea.)	Shelf	Price	Inset	1/2"	1-1/4"	Inset	1/2"	1-1/4"
VBS4231.5				—		4.6	5.2	5.8	1.2	1.6	1.8
VBS4831.5				—		5.3	6.0	6.6	1.4	1.9	2.0
VBS4234.5				—		5.4	6.0	6.6	1.2	1.6	1.8
VBS4834.5				—		6.2	7.0	7.6	1.4	1.9	2.0

VSRV/CSVSRV - Vanity Sink Reverse w/Butt Doors



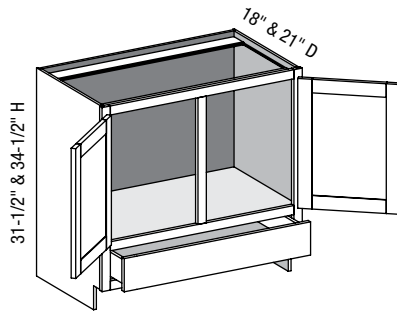
Custom Size Ranges
 Width: 24"– 36"
 Height: 31-1/2"– 42"
 Depth: 12", 15", 18", 21"
 24", 27", 30"

D	DF	DB	EXT	EXP	FL	WS	MI	FT
2	1	1	✓	✓	✓		✓	✓

- No shelf support holes or shelf.
- When height changes, top opening height changes. Lower opening height fixed at 5".
- 12", 15", 27" and 30" cabinet depths are available with TANDEM slides only.

Cabinet Code	Advantage				Essence	Doors			Drawer Fronts		
	Price	Exposed End (ea.)	Flush End (ea.)	Shelf		Price	Inset	1/2"	1-1/4"	Inset	1/2"
VSRV2431.5BD				—		2.6	2.9	3.1	0.7	0.9	1.2
VSRV3031.5BD				—		3.3	3.7	3.9	0.9	1.2	1.5
VSRV3631.5BD				—		4.0	4.5	4.7	1.1	1.4	1.8
VSRV2434.5BD				—		3.0	3.3	3.6	0.7	0.9	1.2
VSRV3034.5BD				—		3.8	4.3	4.5	0.9	1.2	1.5
VSRV3634.5BD				—		4.7	5.2	5.5	1.1	1.4	1.8

VSRV/CSVSRVCS - Vanity Sink Reverse w/Center Stile



Custom Size Ranges
 Width: 30"– 36"
 Height: 31-1/2"– 42"
 Depth: 12", 15", 18", 21"
 24", 27", 30"

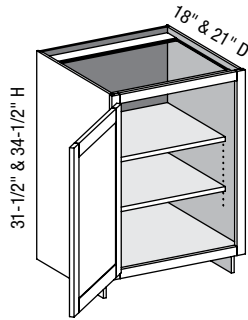
D	DF	DB	EXT	EXP	FL	WS	MI	FT
2	1	1	✓	✓	✓		✓	✓

- No shelf support holes or shelf.
- When height changes, top opening height changes. Lower opening height fixed at 5".
- 12", 15", 27" and 30" cabinet depths are available with TANDEM slides only.

Cabinet Code	Advantage				Essence	Doors			Drawer Fronts		
	Price	Exposed End (ea.)	Flush End (ea.)	Shelf		Price	Inset	1/2"	1-1/4"	Inset	1/2"
VSRV3031.5				—		3.1	3.6	3.9	0.9	1.2	1.5
VSRV3631.5				—		3.9	4.4	4.7	1.1	1.4	1.8
VSRV3034.5				—		3.6	4.2	4.5	0.9	1.2	1.5
VSRV3634.5				—		4.5	5.1	5.4	1.1	1.4	1.8

Options Key: D=Number of Doors DF=Number of Drawer Fronts DB=Drawer Boxes EXT=Extended Stiles EXP=Exposed End(s)
 FL=Flush End(s) WS=Solid Wood Shelves MI=Matching Interior FT=Flush Toe

VBF/CSBFD - Vanity Base Full Door



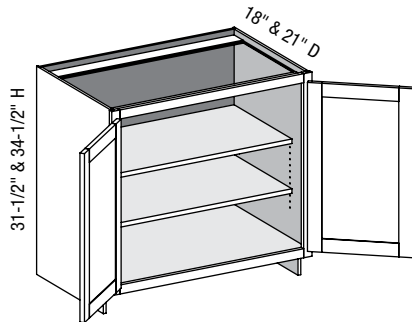
Custom Size Ranges
 Width: 9"– 24"
 Height: 10"– 48"
 Depth: 5-1/2"– 30"

D	DF	DB	EXT	EXP	FL	WS	MI	FT
1			✓	✓	✓	✓	✓	✓

- 10"– 22" high has no shelves.
- 22-1/16"– 28" high has one shelf.
- 28-1/16"– 40" high has two shelves.
- 40-1/16"– 48" high has three shelves.
- Specify single or butt doors on cabinets 24" wide.

Cabinet Code	Advantage				Essence	Doors			Drawer Fronts		
	Price	Exposed End (ea.)	Flush End (ea.)	Shelf	Price	Inset	1/2"	1-1/4"	Inset	1/2"	1-1/4"
VBF1831.5						2.5	2.8	3.3	—	—	—
VBF1834.5						2.8	3.2	3.6	—	—	—

VBF/CSBFD - Vanity Base Full Door w/Butt Doors



Custom Size Ranges
 Width: 24"– 36"
 Height: 10"– 48"
 Depth: 5-1/2"– 30"

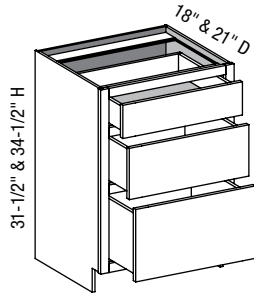
D	DF	DB	EXT	EXP	FL	WS	MI	FT
2			✓	✓	✓	✓	✓	✓

- 10"– 22" high has no shelves.
- 22-1/16"– 28" high has one shelf.
- 28-1/16"– 40" high has two shelves.
- 40-1/16"– 48" high has three shelves.
- Specify single or butt doors on cabinets 24" wide.

Cabinet Code	Advantage				Essence	Doors			Drawer Fronts		
	Price	Exposed End (ea.)	Flush End (ea.)	Shelf	Price	Inset	1/2"	1-1/4"	Inset	1/2"	1-1/4"
VBF2431.5BD						3.5	3.9	4.4	—	—	—
VBF2731.5BD						4.0	4.4	4.9	—	—	—
VBF3031.5BD						4.5	4.9	5.5	—	—	—
VBF3631.5BD						5.5	6.0	6.6	—	—	—
VBF2434.5BD						3.9	4.3	4.9	—	—	—
VBF2734.5BD						4.5	4.9	5.5	—	—	—
VBF3034.5BD						5.0	5.5	6.1	—	—	—
VBF3634.5BD						6.2	6.7	7.4	—	—	—

Options Key: D=Number of Doors DF=Number of Drawer Fronts DB=Drawer Boxes EXT=Extended Stiles EXP=Exposed End(s)
 FL=Flush End(s) WS=Solid Wood Shelves MI=Matching Interior FT=Flush Toe

V3D/CSB3D - Vanity Three Drawer



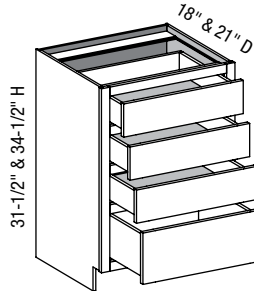
Custom Size Ranges
 Width: 12"– 39"
 Height: 31-1/2"– 34-1/2"
 Depth: 12", 15", 18", 21"
 24", 27", 30"

D	DF	DB	EXT	EXP	FL	WS	MI	FT
	3	3	✓	✓	✓		✓	✓

- When height changes, lower opening height changes. Upper opening heights fixed at 5" and 8".
- 12", 15", 27" and 30" cabinet depths are available with TANDEM slides only.

Cabinet Code	Advantage				Essence	Doors			Drawer Fronts		
	Price	Exposed End (ea.)	Flush End (ea.)	Shelf	Price	Inset	1/2"	1-1/4"	Inset	1/2"	1-1/4"
V3D1231.5				—		—	—	—	1.3	1.7	2.1
V3D1531.5				—		—	—	—	1.7	2.2	2.6
V3D1831.5				—		—	—	—	2.1	2.7	3.2
V3D2131.5				—		—	—	—	2.5	3.2	3.7
V3D2431.5				—		—	—	—	3.0	3.7	4.2
V3D1234.5				—		—	—	—	1.5	1.9	2.3
V3D1534.5				—		—	—	—	2.0	2.5	2.9
V3D1834.5				—		—	—	—	2.5	3.1	3.5
V3D2134.5				—		—	—	—	3.0	3.6	4.1
V3D2434.5				—		—	—	—	3.5	4.2	4.7

V4D/CSB4D - Vanity Four Drawer



Custom Size Ranges
 Width: 12"– 39"
 Height: 31-1/2"– 34-1/2"
 Depth: 12", 15", 18", 21"
 24", 27", 30"

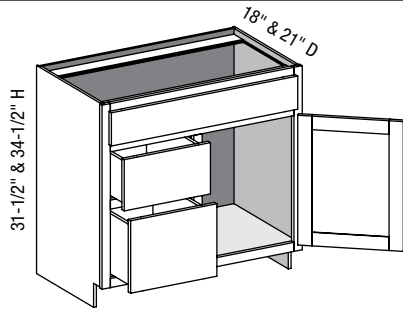
D	DF	DB	EXT	EXP	FL	WS	MI	FT
	4	4	✓	✓	✓		✓	✓

- When height changes, lower opening height changes. Upper opening heights fixed at 5".
- 12", 15", 27" and 30" cabinet depths are available with TANDEM slides only.

Cabinet Code	Advantage				Essence	Doors			Drawer Fronts		
	Price	Exposed End (ea.)	Flush End (ea.)	Shelf	Price	Inset	1/2"	1-1/4"	Inset	1/2"	1-1/4"
V4D1231.5				—		—	—	—	1.2	1.7	2.0
V4D1531.5				—		—	—	—	1.6	2.2	2.6
V4D1831.5				—		—	—	—	2.0	2.7	3.1
V4D2131.5				—		—	—	—	2.4	3.2	3.6
V4D2431.5				—		—	—	—	2.8	3.7	4.2
V4D1234.5				—		—	—	—	1.4	1.9	2.3
V4D1534.5				—		—	—	—	1.8	2.4	2.9
V4D1834.5				—		—	—	—	2.3	3.0	3.5
V4D2134.5				—		—	—	—	2.8	3.6	4.1
V4D2434.5				—		—	—	—	3.2	4.1	4.7

Options Key: D=Number of Doors DF=Number of Drawer Fronts DB=Drawer Boxes EXT=Extended Stiles EXP=Exposed End(s)
 FL=Flush End(s) WS=Solid Wood Shelves MI=Matching Interior FT=Flush Toe

VCL/CSVCL - Vanity Combination Left



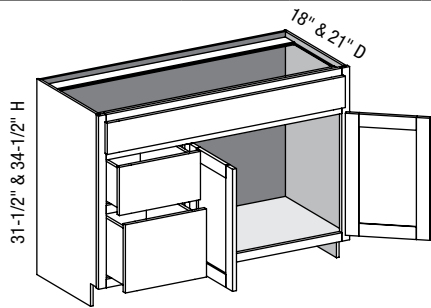
Custom Size Ranges
 Width: 24"– 36"
 Height: 31-1/2"– 34-1/2"
 Depth: 12", 15", 18", 21"
 24", 27", 30"

D	DF	DB	EXT	EXP	FL	WS	MI	FT
1	3	2	✓	✓	✓		✓	✓

- False top drawer.
- No shelf support holes or shelf.
- When height changes, lower opening heights change. Upper and middle opening heights fixed at 5" and 8".
- When width changes, door opening changes. Lower drawer opening widths fixed at 12".
- Specify single or butt doors on cabinets 36" wide.
- Doors hinged on center stile require 1/2" overlay hinges for 1-1/4" or 1-3/8" overlays.
- 12", 15", 27" and 30" cabinet depths are available with TANDEM slides only.

Cabinet Code	Advantage				Essence	Doors			Drawer Fronts		
	Price	Exposed End (ea.)	Flush End (ea.)	Shelf	Price	Inset	1/2"	1-1/4"	Inset	1/2"	1-1/4"
VCL2431.5				—		1.3	1.5	1.7	1.7	2.2	2.5
VCL3031.5				—		1.6	1.9	2.1	2.2	2.8	3.2
VCL3331.5				—		1.8	2.1	2.4	2.4	3.1	3.5
VCL3631.5				—		2.0	2.3	2.6	2.7	3.4	3.8
VCL2434.5				—		1.5	1.8	2.0	1.9	2.4	2.7
VCL3034.5				—		1.9	2.2	2.5	2.5	3.1	3.5
VCL3334.5				—		2.1	2.4	2.7	2.8	3.5	3.8
VCL3634.5				—		2.4	2.7	2.9	3.1	3.8	4.2

VCL/CSVCL - Vanity Combination Left w/Butt Doors



Custom Size Ranges
 Width: 36"– 48"
 Height: 31-1/2"– 34-1/2"
 Depth: 12", 15", 18", 21"
 24", 27", 30"

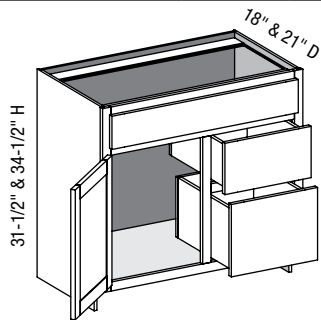
D	DF	DB	EXT	EXP	FL	WS	MI	FT
2	3	2	✓	✓	✓		✓	✓

- False top drawer.
- No shelf support holes or shelf.
- When height changes, lower opening heights change. Upper and middle opening heights fixed at 5" and 8".
- When width changes, door opening changes. Lower drawer opening widths fixed at 12".
- Specify single or butt doors on cabinets 36" wide.
- Doors hinged on center stile require 1/2" overlay hinges for 1-1/4" or 1-3/8" overlays.
- 12", 15", 27" and 30" cabinet depths are available with TANDEM slides only.

Cabinet Code	Advantage				Essence	Doors			Drawer Fronts		
	Price	Exposed End (ea.)	Flush End (ea.)	Shelf	Price	Inset	1/2"	1-1/4"	Inset	1/2"	1-1/4"
VCL4231.5BD				—		3.1	3.5	3.8	2.6	3.3	3.7
VCL4831.5BD				—		3.5	3.9	4.2	3.1	3.9	4.4
VCL4234.5BD				—		3.6	4.0	4.4	2.9	3.6	4.0
VCL4834.5BD				—		4.1	4.5	4.9	3.5	4.3	4.7

Options Key: D=Number of Doors DF=Number of Drawer Fronts DB=Drawer Boxes EXT=Extended Stiles EXP=Exposed End(s)
 FL=Flush End(s) WS=Solid Wood Shelves MI=Matching Interior FT=Flush Toe

VCR/CSVCR - Vanity Combination Right



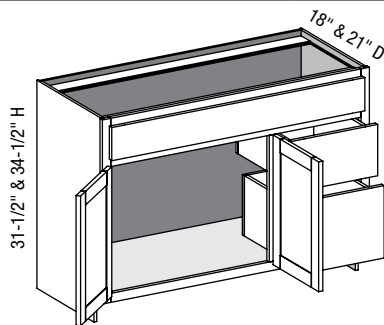
Custom Size Ranges
 Width: 24" – 36"
 Height: 31-1/2" – 34-1/2"
 Depth: 12", 15", 18", 21"
 24", 27", 30"

D	DF	DB	EXT	EXP	FL	WS	MI	FT
1	3	2	✓	✓	✓		✓	✓

- False top drawer.
- No shelf support holes or shelf.
- When height changes, lower opening heights change. Upper and middle opening heights fixed at 5" and 8".
- When width changes, door opening changes. Lower drawer opening widths fixed at 12".
- Specify single or butt doors on cabinets 36" wide.
- Doors hinged on center stile require 1/2" overlay hinges for 1-1/4" or 1-3/8" overlays.
- 12", 15", 27" and 30" cabinet depths are available with TANDEM slides only.

Cabinet Code	Advantage				Essence	Doors			Drawer Fronts		
	Price	Exposed End (ea.)	Flush End (ea.)	Shelf	Price	Inset	1/2"	1-1/4"	Inset	1/2"	1-1/4"
VCR2431.5				—		1.3	1.5	1.7	1.7	2.2	2.5
VCR3031.5				—		1.6	1.9	2.1	2.2	2.8	3.2
VCR3331.5				—		1.8	2.1	2.4	2.4	3.1	3.5
VCR3631.5				—		2.0	2.3	2.6	2.7	3.4	3.8
VCR2434.5				—		1.5	1.8	2.0	1.9	2.4	2.7
VCR3034.5				—		1.9	2.2	2.5	2.5	3.1	3.5
VCR3334.5				—		2.1	2.4	2.7	2.8	3.5	3.8
VCR3634.5				—		2.4	2.7	2.9	3.1	3.8	4.2

VCR/CSVCR - Vanity Combination Right w/Butt Doors



Custom Size Ranges
 Width: 36" – 48"
 Height: 31-1/2" – 34-1/2"
 Depth: 12", 15", 18", 21"
 24", 27", 30"

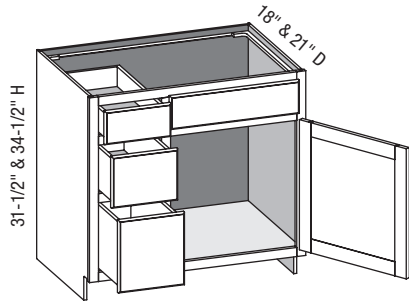
D	DF	DB	EXT	EXP	FL	WS	MI	FT
2	3	2	✓	✓	✓		✓	✓

- False top drawer.
- No shelf support holes or shelf.
- When height changes, lower opening heights change. Upper and middle opening heights fixed at 5" and 8".
- When width changes, door opening changes. Lower drawer opening widths fixed at 12".
- Specify single or butt doors on cabinets 36" wide.
- Doors hinged on center stile require 1/2" overlay hinges for 1-1/4" or 1-3/8" overlays.
- 12", 15", 27" and 30" cabinet depths are available with TANDEM slides only.

Cabinet Code	Advantage				Essence	Doors			Drawer Fronts		
	Price	Exposed End (ea.)	Flush End (ea.)	Shelf	Price	Inset	1/2"	1-1/4"	Inset	1/2"	1-1/4"
VCR4231.5BD				—		3.1	3.5	3.8	2.6	3.3	3.7
VCR4831.5BD				—		3.5	3.9	4.2	3.1	3.9	4.4
VCR4234.5BD				—		3.6	4.0	4.4	2.9	3.6	4.0
VCR4834.5BD				—		4.1	4.5	4.9	3.5	4.3	4.7

Options Key: D=Number of Doors DF=Number of Drawer Fronts DB=Drawer Boxes EXT=Extended Stiles EXP=Exposed End(s)
 FL=Flush End(s) WS=Solid Wood Shelves MI=Matching Interior FT=Flush Toe

VC3DL/CSVC3DL - Vanity Combo Three Drawer Left



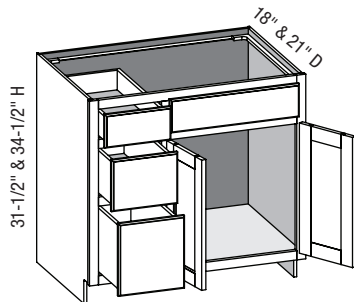
Custom Size Ranges
 Width: 36" – 48"
 Height: 31-1/2" – 34-1/2"
 Depth: 12", 15", 18", 21"
 24", 27", 30"

D	DF	DB	EXT	EXP	FL	WS	MI	FT
1	4	3	✓	✓	✓		✓	✓

- When width changes, door opening remains fixed.
- Doors hinged on center stile require 1/2" overlay hinges for 1-1/4" or 1-3/8" overlays.
- 12", 15", 27" and 30" cabinet depths are available with TANDEM slides only.

Cabinet Code	Advantage				Essence	Doors			Drawer Fronts		
	Price	Exposed End (ea.)	Flush End (ea.)	Shelf	Price	Inset	1/2"	1-1/4"	Inset	1/2"	1-1/4"
VC3DL3631.5				—		3.5	3.9	4.0	1.7	2.0	2.2
VC3DL3931.5				—		3.5	3.9	4.0	2.2	2.5	2.7
VC3DL4231.5				—		3.5	3.9	4.0	2.7	3.0	3.3
VC3DL4531.5				—		3.5	3.9	4.0	3.1	3.5	3.8
VC3DL4831.5				—		3.5	3.9	4.0	3.6	4.0	4.4
VC3DL3634.5				—		3.9	4.4	4.5	2.0	2.2	2.4
VC3DL3934.5				—		3.9	4.4	4.5	2.5	2.8	3.0
VC3DL4234.5				—		3.9	4.4	4.5	3.1	3.3	3.7
VC3DL4534.5				—		3.9	4.4	4.5	3.6	3.9	4.3
VC3DL4834.5				—		3.9	4.4	4.5	4.1	4.5	4.9

VC3DL/CSVC3DL - Vanity Combo Three Drawers w/Butt Doors



Custom Size Ranges
 Width: 36" – 48"
 Height: 31-1/2" – 34-1/2"
 Depth: 12", 15", 18", 21"
 24", 27", 30"

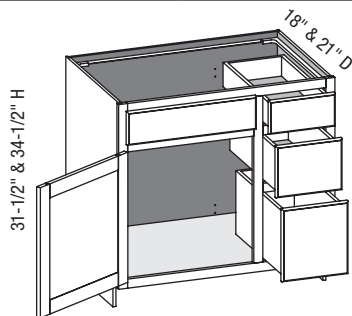
D	DF	DB	EXT	EXP	FL	WS	MI	FT
2	4	3	✓	✓	✓		✓	✓

- When width changes, door opening remains fixed.
- Doors hinged on center stile require 1/2" overlay hinges for 1-1/4" or 1-3/8" overlays.
- 12", 15", 27" and 30" cabinet depths are available with TANDEM slides only.

Cabinet Code	Advantage				Essence	Doors			Drawer Fronts		
	Price	Exposed End (ea.)	Flush End (ea.)	Shelf	Price	Inset	1/2"	1-1/4"	Inset	1/2"	1-1/4"
VC3DL3631.5BD				—		3.5	3.9	4.0	1.7	2.0	2.2
VC3DL3931.5BD				—		3.5	3.9	4.0	2.2	2.5	2.7
VC3DL4231.5BD				—		3.5	3.9	4.0	2.7	3.0	3.3
VC3DL4531.5BD				—		3.5	3.9	4.0	3.1	3.5	3.8
VC3DL4831.5BD				—		3.5	3.9	4.0	3.6	4.0	4.4
VC3DL3634.5BD				—		3.9	4.4	4.5	2.0	2.2	2.4
VC3DL3934.5BD				—		3.9	4.4	4.5	2.5	2.8	3.0
VC3DL4234.5BD				—		3.9	4.4	4.5	3.1	3.3	3.7
VC3DL4534.5BD				—		3.9	4.4	4.5	3.6	3.9	4.3
VC3DL4834.5BD				—		3.9	4.4	4.5	4.1	4.5	4.9

Options Key: D=Number of Doors DF=Number of Drawer Fronts DB=Drawer Boxes EXT=Extended Stiles EXP=Exposed End(s)
 FL=Flush End(s) WS=Solid Wood Shelves MI=Matching Interior FT=Flush Toe

VC3DR/CSVC3DR - Vanity Combo Three Drawer Right



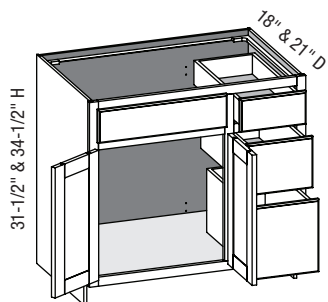
Custom Size Ranges
 Width: 36"– 48"
 Height: 31-1/2"– 34-1/2"
 Depth: 12", 15", 18", 21"
 24", 27", 30"

D	DF	DB	EXT	EXP	FL	WS	MI	FT
1	4	3	✓	✓	✓		✓	✓

- When width changes, door opening remains fixed.
- Doors hinged on center stile require 1/2" overlay hinges for 1-1/4" or 1-3/8" overlays.
- 12", 15", 27" and 30" cabinet depths are available with TANDEM slides only.

Cabinet Code	Advantage				Essence	Doors			Drawer Fronts		
	Price	Exposed End (ea.)	Flush End (ea.)	Shelf	Price	Inset	1/2"	1-1/4"	Inset	1/2"	1-1/4"
VC3DR3631.5				—		3.5	3.9	4.0	1.7	2.0	2.2
VC3DR3931.5				—		3.5	3.9	4.0	2.2	2.5	2.7
VC3DR4231.5				—		3.5	3.9	4.0	2.7	3.0	3.3
VC3DR4531.5				—		3.5	3.9	4.0	3.1	3.5	3.8
VC3DR4831.5				—		3.5	3.9	4.0	3.6	4.0	4.4
VC3DR3634.5				—		3.9	4.4	4.5	2.0	2.2	2.4
VC3DR3934.5				—		3.9	4.4	4.5	2.5	2.8	3.0
VC3DR4234.5				—		3.9	4.4	4.5	3.1	3.3	3.7
VC3DR4534.5				—		3.9	4.4	4.5	3.6	3.9	4.3
VC3DR4834.5				—		3.9	4.4	4.5	4.1	4.5	4.9

VC3DR/CSVC3DR - Vanity Combo Three Drawers w/Butt Doors



Custom Size Ranges
 Width: 36"– 48"
 Height: 31-1/2"– 34-1/2"
 Depth: 12", 15", 18", 21"
 24", 27", 30"

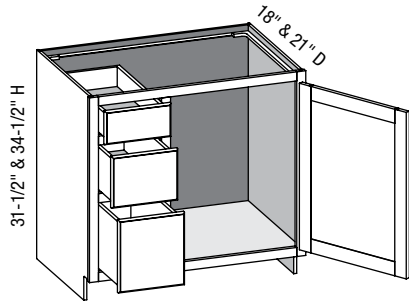
D	DF	DB	EXT	EXP	FL	WS	MI	FT
1	4	3	✓	✓	✓		✓	✓

- When width changes, door opening remains fixed.
- Doors hinged on center stile require 1/2" overlay hinges for 1-1/4" or 1-3/8" overlays.
- 12", 15", 27" and 30" cabinet depths are available with TANDEM slides only.

Cabinet Code	Advantage				Essence	Doors			Drawer Fronts		
	Price	Exposed End (ea.)	Flush End (ea.)	Shelf	Price	Inset	1/2"	1-1/4"	Inset	1/2"	1-1/4"
VC3DR3631.5BD				—		3.5	3.9	4.0	1.7	2.0	2.2
VC3DR3931.5BD				—		3.5	3.9	4.0	2.2	2.5	2.7
VC3DR4231.5BD				—		3.5	3.9	4.0	2.7	3.0	3.3
VC3DR4531.5BD				—		3.5	3.9	4.0	3.1	3.5	3.8
VC3DR4831.5BD				—		3.5	3.9	4.0	3.6	4.0	4.4
VC3DR3634.5BD				—		3.9	4.4	4.5	2.0	2.2	2.4
VC3DR3934.5BD				—		3.9	4.4	4.5	2.5	2.8	3.0
VC3DR4234.5BD				—		3.9	4.4	4.5	3.1	3.3	3.7
VC3DR4534.5BD				—		3.9	4.4	4.5	3.6	3.9	4.3
VC3DR4834.5BD				—		3.9	4.4	4.5	4.1	4.5	4.9

Options Key: D=Number of Doors DF=Number of Drawer Fronts DB=Drawer Boxes EXT=Extended Stiles EXP=Exposed End(s)
 FL=Flush End(s) WS=Solid Wood Shelves MI=Matching Interior FT=Flush Toe

VCFD3DL/CSVCFD3DL - Vanity Combo Full Door Three Drawer Left



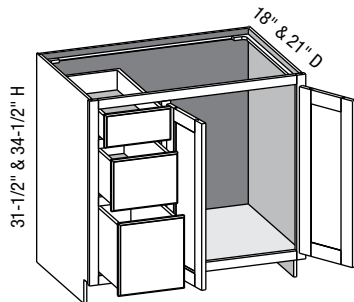
Custom Size Ranges
 Width: 36" – 48"
 Height: 31-1/2" – 34-1/2"
 Depth: 12", 15", 18", 21"
 24", 27", 30"

D	DF	DB	EXT	EXP	FL	WS	MI	FT
1	3	3	✓	✓	✓		✓	✓

- When width changes, door opening remains fixed.
- Doors hinged on center stile require 1/2" overlay hinges for 1-1/4" or 1-3/8" overlays.
- 12", 15", 27" and 30" cabinet depths are available with TANDEM slides only.

Cabinet Code	Advantage				Essence	Doors			Drawer Fronts		
	Price	Exposed End (ea.)	Flush End (ea.)	Shelf	Price	Inset	1/2"	1-1/4"	Inset	1/2"	1-1/4"
VCFD3DL3631.5				—		2.5	2.9	3.2	2.8	2.9	3.1
VCFD3DL3931.5				—		2.5	2.9	3.2	3.3	3.4	3.7
VCFD3DL4231.5				—		2.5	2.9	3.2	3.8	3.9	4.2
VCFD3DL4531.5				—		2.5	2.9	3.2	4.4	4.4	4.7
VCFD3DL4831.5				—		2.5	2.9	3.2	4.9	4.9	5.2
VCFD3DL3634.5				—		3.0	3.4	3.7	3.1	3.1	3.5
VCFD3DL3934.5				—		3.0	3.4	3.7	3.6	3.7	4.0
VCFD3DL4234.5				—		3.0	3.4	3.7	4.2	4.3	4.6
VCFD3DL4534.5				—		3.0	3.4	3.7	4.8	4.8	5.2
VCFD3DL4834.5				—		3.0	3.4	3.7	5.4	5.4	5.8

VCFD3DL/CSVCFD3DL - Vanity Combo Full Door Three Drawers Left w/Butt Doors



Custom Size Ranges
 Width: 36" – 48"
 Height: 31-1/2" – 34-1/2"
 Depth: 12", 15", 18", 21"
 24", 27", 30"

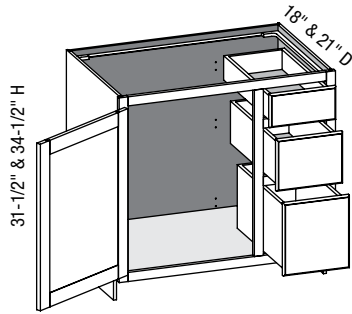
D	DF	DB	EXT	EXP	FL	WS	MI	FT
2	3	3	✓	✓	✓		✓	✓

- When width changes, door opening remains fixed.
- Doors hinged on center stile require 1/2" overlay hinges for 1-1/4" or 1-3/8" overlays.
- 12", 15", 27" and 30" cabinet depths are available with TANDEM slides only.

Cabinet Code	Advantage				Essence	Doors			Drawer Fronts		
	Price	Exposed End (ea.)	Flush End (ea.)	Shelf	Price	Inset	1/2"	1-1/4"	Inset	1/2"	1-1/4"
VCFD3DL3631.5BD				—		2.5	2.9	3.2	2.8	2.9	3.1
VCFD3DL3931.5BD				—		2.5	2.9	3.2	3.3	3.4	3.7
VCFD3DL4231.5BD				—		2.5	2.9	3.2	3.8	3.9	4.2
VCFD3DL4531.5BD				—		2.5	2.9	3.2	4.4	4.4	4.7
VCFD3DL4831.5BD				—		2.5	2.9	3.2	4.9	4.9	5.2
VCFD3DL3634.5BD				—		3.0	3.4	3.7	3.1	3.1	3.5
VCFD3DL3934.5BD				—		3.0	3.4	3.7	3.6	3.7	4.0
VCFD3DL4234.5BD				—		3.0	3.4	3.7	4.2	4.3	4.6
VCFD3DL4534.5BD				—		3.0	3.4	3.7	4.8	4.8	5.2
VCFD3DL4834.5BD				—		3.0	3.4	3.7	5.4	5.4	5.8

Options Key: D=Number of Doors DF=Number of Drawer Fronts DB=Drawer Boxes EXT=Extended Stiles EXP=Exposed End(s)
 FL=Flush End(s) WS=Solid Wood Shelves MI=Matching Interior FT=Flush Toe

VCFD3DR/CSVCFD3DR - Vanity Combo Full Door Three Drawer Right



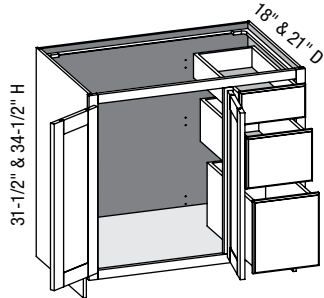
Custom Size Ranges
 Width: 36"– 48"
 Height: 31-1/2"– 34-1/2"
 Depth: 12", 15", 18", 21"
 24", 27", 30"

D	DF	DB	EXT	EXP	FL	WS	MI	FT
1	3	3	✓	✓	✓		✓	✓

- When width changes, door opening remains fixed.
- Doors hinged on center stile require 1/2" overlay hinges for 1-1/4" or 1-3/8" overlays.
- 12", 15", 27" and 30" cabinet depths are available with TANDEM slides only.

Cabinet Code	Advantage				Essence	Doors			Drawer Fronts		
	Price	Exposed End (ea.)	Flush End (ea.)	Shelf		Price	Inset	1/2"	1-1/4"	Inset	1/2"
VCFD3DR3631.5				—		2.5	2.9	3.2	2.8	2.9	3.1
VCFD3DR3931.5				—		2.5	2.9	3.2	3.3	3.4	3.7
VCFD3DR4231.5				—		2.5	2.9	3.2	3.8	3.9	4.2
VCFD3DR4531.5				—		2.5	2.9	3.2	4.4	4.4	4.7
VCFD3DR4831.5				—		2.5	2.9	3.2	4.9	4.9	5.2
VCFD3DR3634.5				—		3.0	3.4	3.7	3.1	3.1	3.5
VCFD3DR3934.5				—		3.0	3.4	3.7	3.6	3.7	4.0
VCFD3DR4234.5				—		3.0	3.4	3.7	4.2	4.3	4.6
VCFD3DR4534.5				—		3.0	3.4	3.7	4.8	4.8	5.2
VCFD3DR4834.5				—		3.0	3.4	3.7	5.4	5.4	5.8

VCFD3DR/CSVCFD3DR - Vanity Combo Full Door Three Drawers Right w/Butt Doors



Custom Size Ranges
 Width: 36"– 48"
 Height: 31-1/2"– 34-1/2"
 Depth: 12", 15", 18", 21"
 24", 27", 30"

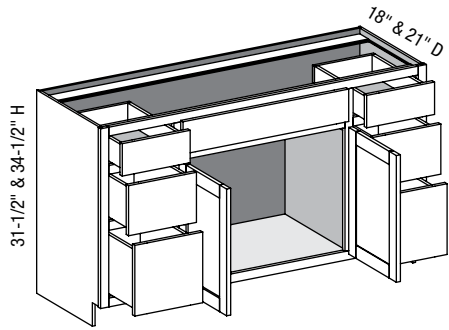
D	DF	DB	EXT	EXP	FL	WS	MI	FT
1	3	3	✓	✓	✓		✓	✓

- When width changes, door opening remains fixed.
- Doors hinged on center stile require 1/2" overlay hinges for 1-1/4" or 1-3/8" overlays.
- 12", 15", 27" and 30" cabinet depths are available with TANDEM slides only.

Cabinet Code	Advantage				Essence	Doors			Drawer Fronts		
	Price	Exposed End (ea.)	Flush End (ea.)	Shelf		Price	Inset	1/2"	1-1/4"	Inset	1/2"
VCFD3DR3631.5BD				—		2.5	2.9	3.2	2.8	2.9	3.1
VCFD3DR3931.5BD				—		2.5	2.9	3.2	3.3	3.4	3.7
VCFD3DR4231.5BD				—		2.5	2.9	3.2	3.8	3.9	4.2
VCFD3DR4531.5BD				—		2.5	2.9	3.2	4.4	4.4	4.7
VCFD3DR4831.5BD				—		2.5	2.9	3.2	4.9	4.9	5.2
VCFD3DR3634.5BD				—		3.0	3.4	3.7	3.1	3.1	3.5
VCFD3DR3934.5BD				—		3.0	3.4	3.7	3.6	3.7	4.0
VCFD3DR4234.5BD				—		3.0	3.4	3.7	4.2	4.3	4.6
VCFD3DR4534.5BD				—		3.0	3.4	3.7	4.8	4.8	5.2
VCFD3DR4834.5BD				—		3.0	3.4	3.7	5.4	5.4	5.8

Options Key: D=Number of Doors DF=Number of Drawer Fronts DB=Drawer Boxes EXT=Extended Stiles EXP=Exposed End(s)
 FL=Flush End(s) WS=Solid Wood Shelves MI=Matching Interior FT=Flush Toe

VC6D/CSVC6D - Vanity Combination Six Drawer w/Butt Doors



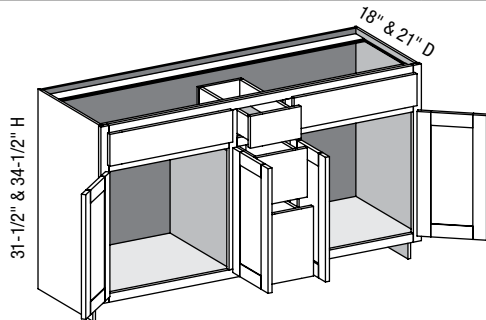
Custom Size Ranges
Width: 48" – 72"
Height: 31-1/2" – 34-1/2"
Depth: 12", 15", 18", 21"
24", 27", 30"

D	DF	DB	EXT	EXP	FL	WS	MI	FT
2	7	6	✓	✓	✓		✓	✓

- False top drawer.
- No shelf support holes or shelf.
- When height changes, lower opening heights change. Upper and middle opening heights fixed at 5" and 8".
- When width changes, door opening changes. Lower drawer opening widths fixed at 12".
- Doors hinged on center stile require 1/2" overlay hinges for 1-1/4" or 1-3/8" overlays.
- 12", 15", 27" and 30" cabinet depths are available with TANDEM slides only.

Cabinet Code	Advantage				Essence	Doors			Drawer Fronts		
	Price	Exposed End (ea.)	Flush End (ea.)	Shelf	Price	Inset	1/2"	1-1/4"	Inset	1/2"	1-1/4"
VC6D4831.5BD				—		2.9	3.3	3.5	3.3	4.4	5.0
VC6D6031.5BD				—		3.7	4.1	4.3	4.3	5.6	6.3
VC6D4834.5BD				—		3.4	3.8	4.0	3.7	4.9	5.4
VC6D6034.5BD				—		4.3	4.7	5.0	4.9	6.3	6.9

VC3D/CSVC3D - Vanity Combination Three Drawer w/Butt Doors



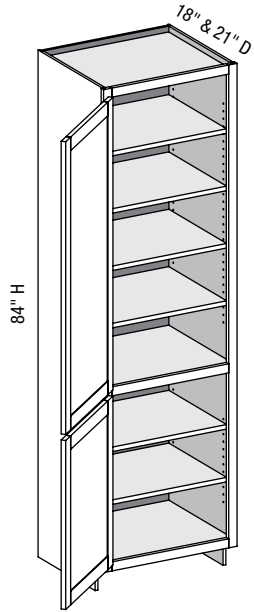
Custom Size Ranges
Width: 48" – 72"
Height: 31-1/2" – 34-1/2"
Depth: 12", 15", 18", 21"
24", 27", 30"

D	DF	DB	EXT	EXP	FL	WS	MI	FT
4	5	3	✓	✓	✓		✓	✓

- False top drawer.
- No shelf support holes or shelf.
- When height changes, lower opening heights change. Upper and middle opening heights fixed at 5" and 8".
- When width changes, door opening changes. Lower drawer opening widths fixed at 12".
- Doors hinged on center stile require 1/2" overlay hinges for 1-1/4" or 1-3/8" overlays.
- 12", 15", 27" and 30" cabinet depths are available with TANDEM slides only.

Cabinet Code	Advantage				Essence	Doors			Drawer Fronts		
	Price	Exposed End (ea.)	Flush End (ea.)	Shelf	Price	Inset	1/2"	1-1/4"	Inset	1/2"	1-1/4"
VC3D6031.5BD				—		5.5	6.2	6.8	2.7	3.6	3.9
VC3D6034.5BD				—		6.4	7.1	7.8	3.0	3.9	4.1

VLV/CSVLV - Vanity Linen Vanity Height



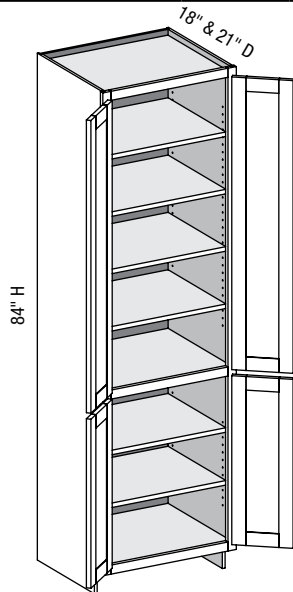
Custom Size Ranges
 Width: 12"– 24"
 Height: 84"– 96"
 Depth: 5-1/2"– 30"

D	DF	DB	EXT	EXP	FL	WS	MI	FT
2			✓	✓	✓	✓	✓	✓

- Lower section aligns with 31-1/2" high vanity cabinets.
- 84"– 90" high has 6 shelves.
- 90-1/16"– 96" high has 7 shelves.
- When height changes, upper opening height changes. Lower opening height fixed at 24-1/2".
- Specify single or butt doors on cabinets 24" wide.
- Separate 4" high toe platform is available with all cabinet heights.

Cabinet Code	Advantage				Essence	Doors			Drawer Fronts		
	Price	Exposed End (ea.)	Flush End (ea.)	Shelf	Price	Inset	1/2"	1-1/4"	Inset	1/2"	1-1/4"
VLV1884					—	7.7	8.6	9.6	—	—	—
VLV2184					—	9.3	10.2	11.3	—	—	—
VLV2484					—	10.9	11.8	12.9	—	—	—

VLV/CSVLV - Vanity Linen Vanity Height w/Butt Doors



Custom Size Ranges
 Width: 24"– 36"
 Height: 84"– 96"
 Depth: 5-1/2"– 30"

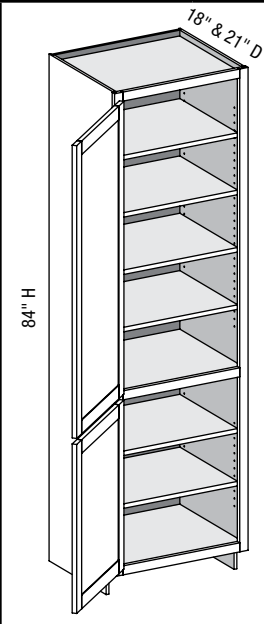
D	DF	DB	EXT	EXP	FL	WS	MI	FT
4			✓	✓	✓	✓	✓	✓

- Lower section aligns with 31-1/2" high vanity cabinets.
- 84"– 90" high has 6 shelves.
- 90-1/16"– 96" high has 7 shelves.
- When height changes, upper opening height changes. Lower opening height fixed at 24-1/2".
- Specify single or butt doors on cabinets 24" wide.
- Separate 4" high toe platform is available with all cabinet heights.

Cabinet Code	Advantage				Essence	Doors			Drawer Fronts		
	Price	Exposed End (ea.)	Flush End (ea.)	Shelf	Price	Inset	1/2"	1-1/4"	Inset	1/2"	1-1/4"
VLV2484BD					—	10.9	11.8	12.8	—	—	—

Options Key: D=Number of Doors DF=Number of Drawer Fronts DB=Drawer Boxes EXT=Extended Stiles EXP=Exposed End(s) FL=Flush End(s) WS=Solid Wood Shelves MI=Matching Interior FT=Flush Toe

VLB/CSUCR - Vanity Linen Base Height



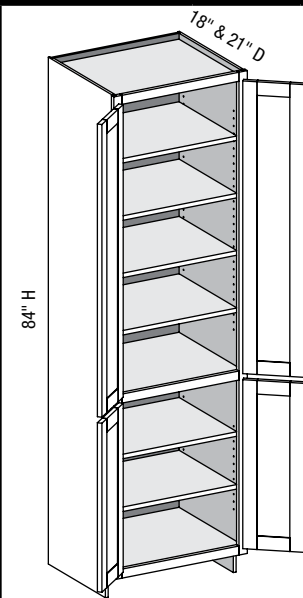
Custom Size Ranges
Width: 12"– 24"
Height: 84"– 96"
Depth: 5-1/2"– 30"

D	DF	DB	EXT	EXP	FL	WS	MI	FT
2			✓	✓	✓	✓	✓	✓

- Lower section aligns with 31-1/2" high vanity cabinets.
- 84"– 90" high has 6 shelves.
- 90-1/16"– 96" high has 7 shelves.
- When height changes, upper opening height changes. Lower opening height fixed at 27-1/2".
- Specify single or butt doors on cabinets 24" wide.
- Separate 4" high toe platform is available with all cabinet heights.

Cabinet Code	Advantage				Essence	Doors			Drawer Fronts		
	Price	Exposed End (ea.)	Flush End (ea.)	Shelf	Price	Inset	1/2"	1-1/4"	Inset	1/2"	1-1/4"
VLB1884					—	7.7	8.6	9.6	—	—	—
VLB2184					—	9.3	10.2	11.3	—	—	—
VLB2484					—	10.9	11.8	12.9	—	—	—

VLB/CSUCR - Vanity Linen Base Height w/Butt Doors



Custom Size Ranges
Width: 24"– 36"
Height: 84"– 96"
Depth: 5-1/2"– 30"

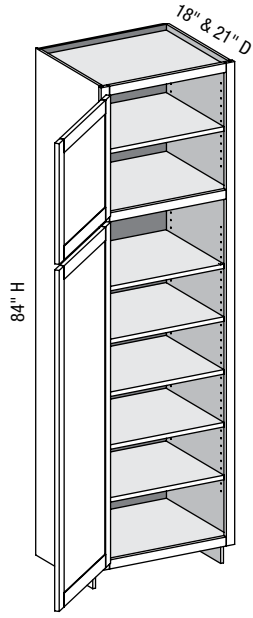
D	DF	DB	EXT	EXP	FL	WS	MI	FT
4			✓	✓	✓	✓	✓	✓

- Lower section aligns with 31-1/2" high vanity cabinets.
- 84"– 90" high has 6 shelves.
- 90-1/16"– 96" high has 7 shelves.
- When height changes, upper opening height changes. Lower opening height fixed at 24-1/2".
- Specify single or butt doors on cabinets 24" wide.
- Separate 4" high toe platform is available with all cabinet heights.

Cabinet Code	Advantage				Essence	Doors			Drawer Fronts		
	Price	Exposed End (ea.)	Flush End (ea.)	Shelf	Price	Inset	1/2"	1-1/4"	Inset	1/2"	1-1/4"
VLB2484BD					—	10.9	11.8	12.8	—	—	—

Options Key: D=Number of Doors DF=Number of Drawer Fronts DB=Drawer Boxes EXT=Extended Stiles EXP=Exposed End(s)
FL=Flush End(s) WS=Solid Wood Shelves MI=Matching Interior FT=Flush Toe

VUC/CSUC - Vanity Utility



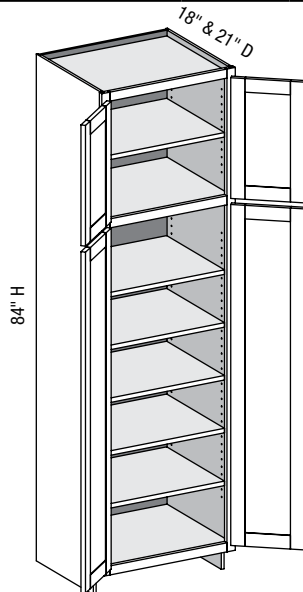
Custom Size Ranges
 Width: 12"– 24"
 Height: 84"– 96"
 Depth: 5-1/2"– 30"

D	DF	DB	EXT	EXP	FL	WS	MI	FT
2			✓	✓	✓	✓	✓	✓

- 84"– 90" high has 6 shelves.
- 90-1/16"– 96" high has 7 shelves.
- When height changes, upper opening height changes. Lower opening height fixed at 56".
- Specify single or butt doors on cabinets 24" wide.
- Separate 4" high toe platform is available with all cabinet heights.

Cabinet Code	Advantage				Essence	Doors			Drawer Fronts		
	Price	Exposed End (ea.)	Flush End (ea.)	Shelf	Price	Inset	1/2"	1-1/4"	Inset	1/2"	1-1/4"
VUC1884					—	7.7	8.6	9.6	—	—	—
VUC2184					—	9.3	10.2	11.2	—	—	—
VUC2484					—	10.9	11.8	12.9	—	—	—

VUC/CSUC - Vanity Utility w/Butt Doors



Custom Size Ranges
 Width: 24"– 36"
 Height: 84"– 96"
 Depth: 5-1/2"– 30"

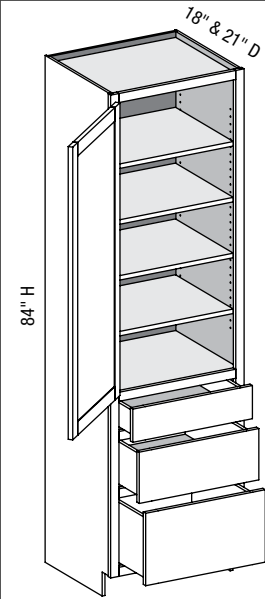
D	DF	DB	EXT	EXP	FL	WS	MI	FT
4			✓	✓	✓	✓	✓	✓

- 84"– 90" high has 6 shelves.
- 90-1/16"– 96" high has 7 shelves.
- When height changes, upper opening height changes. Lower opening height fixed at 56".
- Specify single or butt doors on cabinets 24" wide.
- Separate 4" high toe platform is available with all cabinet heights.

Cabinet Code	Advantage				Essence	Doors			Drawer Fronts		
	Price	Exposed End (ea.)	Flush End (ea.)	Shelf	Price	Inset	1/2"	1-1/4"	Inset	1/2"	1-1/4"
VUC2484BD					—	10.8	11.8	12.8	—	—	—

Options Key: D=Number of Doors DF=Number of Drawer Fronts DB=Drawer Boxes EXT=Extended Stiles EXP=Exposed End(s) FL=Flush End(s) WS=Solid Wood Shelves MI=Matching Interior FT=Flush Toe

VL3V/CSVL3V - Vanity Linen Three Drawer Vanity Height



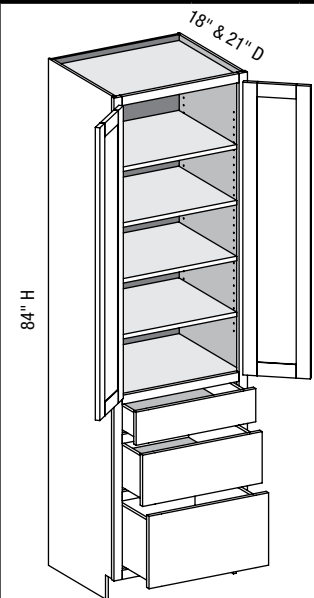
Custom Size Ranges
 Width: 12"– 24"
 Height: 84"– 96"
 Depth: 12", 15", 18", 21"
 24", 27", 30"

D	DF	DB	EXT	EXP	FL	WS	MI	FT
1	3	3	✓	✓	✓	✓	✓	✓

- Lower section aligns with 31-1/2" high vanity cabinets.
- 84"– 90" high has 4 shelves.
- 90-1/16"– 96" high has 5 shelves.
- When height changes, upper opening height changes. Lower opening heights fixed at 5", 8" and 8-1/2".
- Specify single or butt doors on cabinets 24" wide.
- Separate 4" high toe platform is available with all cabinet heights.
- 12", 15", 27" and 30" cabinet depths are available with TANDEM slides only.

Cabinet Code	Advantage				Essence	Doors			Drawer Fronts		
	Price	Exposed End (ea.)	Flush End (ea.)	Shelf	Price	Inset	1/2"	1-1/4"	Inset	1/2"	1-1/4"
VL3V1884						5.2	5.8	6.3	2.1	2.7	3.2
VL3V2184						6.3	6.9	7.4	2.5	3.2	3.7
VL3V2484						7.3	7.9	8.5	3.0	3.7	4.2

VL3V/CSVL3V - Vanity Linen Three Drawer Vanity Height w/Butt Doors



Custom Size Ranges
 Width: 24"– 36"
 Height: 84"– 96"
 Depth: 12", 15", 18", 21"
 24", 27", 30"

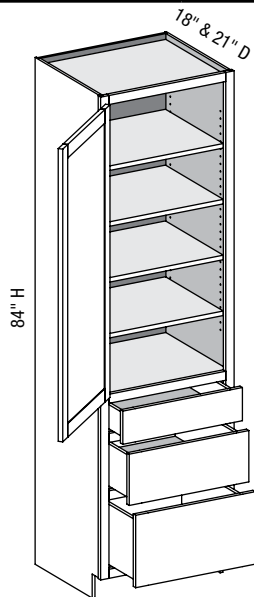
D	DF	DB	EXT	EXP	FL	WS	MI	FT
2	3	3	✓	✓	✓	✓	✓	✓

- Lower section aligns with 31-1/2" high vanity cabinets.
- 84"– 90" high has 4 shelves.
- 90-1/16"– 96" high has 5 shelves.
- When height changes, upper opening height changes. Lower opening heights fixed at 5", 8" and 8-1/2".
- Specify single or butt doors on cabinets 24" wide.
- Separate 4" high toe platform is available with all cabinet heights.
- 12", 15", 27" and 30" cabinet depths are available with TANDEM slides only.

Cabinet Code	Advantage				Essence	Doors			Drawer Fronts		
	Price	Exposed End (ea.)	Flush End (ea.)	Shelf	Price	Inset	1/2"	1-1/4"	Inset	1/2"	1-1/4"
VL3V2484BD						7.3	7.9	8.5	3.0	3.7	4.2

Options Key: D=Number of Doors DF=Number of Drawer Fronts DB=Drawer Boxes EXT=Extended Stiles EXP=Exposed End(s)
 FL=Flush End(s) WS=Solid Wood Shelves MI=Matching Interior FT=Flush Toe

VL3B/CSU3D - Vanity Linen Three Drawer Base Height



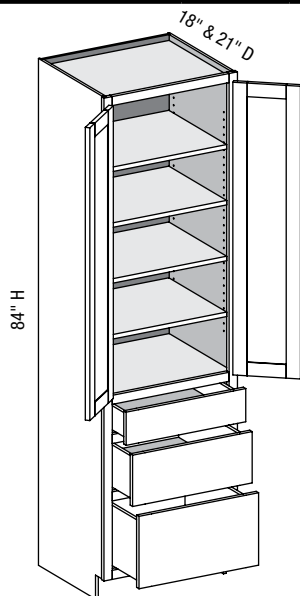
Custom Size Ranges
 Width: 12"– 24"
 Height: 84"– 96"
 Depth: 12", 15", 18", 21"
 24", 27", 30"

D	DF	DB	EXT	EXP	FL	WS	MI	FT
1	3	3	✓	✓	✓	✓	✓	✓

- Lower section aligns with 31-1/2" high vanity cabinets.
- 84"– 90" high has 4 shelves.
- 90-1/16"– 96" high has 5 shelves.
- When height changes, upper opening height changes. Lower opening heights fixed at 5", 8" and 8-1/2".
- Specify single or butt doors on cabinets 24" wide.
- Separate 4" high toe platform is available with all cabinet heights.
- 12", 15", 27" and 30" cabinet depths are available with TANDEM slides only.

Cabinet Code	Advantage				Essence	Doors			Drawer Fronts		
	Price	Exposed End (ea.)	Flush End (ea.)	Shelf	Price	Inset	1/2"	1-1/4"	Inset	1/2"	1-1/4"
VL3B1884						4.9	5.4	6.0	2.5	3.1	3.5
VL3B2184						5.9	6.5	7.0	3.0	3.6	4.1
VL3B2484						6.9	7.5	8.0	3.5	4.2	4.7

VL3B/CSU3D - Vanity Linen Three Drawer Base Height w/Butt Doors



Custom Size Ranges
 Width: 24"– 36"
 Height: 84"– 96"
 Depth: 12", 15", 18", 21"
 24", 27", 30"

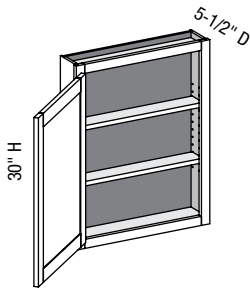
D	DF	DB	EXT	EXP	FL	WS	MI	FT
2	3	3	✓	✓	✓	✓	✓	✓

- Lower section aligns with 31-1/2" high vanity cabinets.
- 84"– 90" high has 4 shelves.
- 90-1/16"– 96" high has 5 shelves.
- When height changes, upper opening height changes. Lower opening heights fixed at 5", 8" and 8-1/2".
- Specify single or butt doors on cabinets 24" wide.
- Separate 4" high toe platform is available with all cabinet heights.
- 12", 15", 27" and 30" cabinet depths are available with TANDEM slides only.

Cabinet Code	Advantage				Essence	Doors			Drawer Fronts		
	Price	Exposed End (ea.)	Flush End (ea.)	Shelf	Price	Inset	1/2"	1-1/4"	Inset	1/2"	1-1/4"
VL3B2484BD						6.8	7.4	8.0	3.5	4.2	4.7

Options Key: D=Number of Doors DF=Number of Drawer Fronts DB=Drawer Boxes EXT=Extended Stiles EXP=Exposed End(s) FL=Flush End(s) WS=Solid Wood Shelves MI=Matching Interior FT=Flush Toe

VW/CSW - Vanity Wall



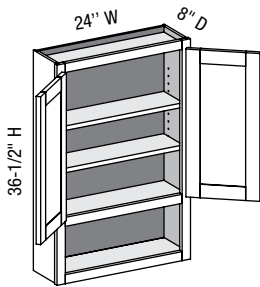
Custom Size Ranges
 Width: 9"– 36"
 Height: 12"– 48"
 Depth: 5-1/2"– 30"

D	DF	DB	EXT	EXP	FL	WS	MI	FT
1			✓	✓	✓	✓	✓	

- 12"– 18" high has no shelves.
- 18-1/16"– 24" high has one shelf.
- 24-1/16"– 36" high has two shelves.
- 36-1/16"– 48" high has three shelves.
- Specify single or butt doors on cabinets 24" wide.

Cabinet Code	Advantage				Essence	Doors			Drawer Fronts		
	Price	Exposed End (ea.)	Flush End (ea.)	Shelf	Price	Inset	1/2"	1-1/4"	Inset	1/2"	1-1/4"
VW1230						1.6	1.9	2.4	—	—	—
VW1530						2.2	2.5	3.0	—	—	—
VW1830						2.8	3.1	3.6	—	—	—
VW2430						3.9	4.3	4.8	—	—	—

VWS/CSVWS - Vanity Wall Shelf w/Butt Doors



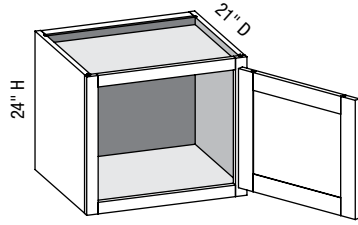
Custom Size Ranges
 Width: 24"– 36"
 Height: 24"– 48"
 Depth: 5-1/2"– 12-1/2"

D	DF	DB	EXT	EXP	FL	WS	MI	FT
2			✓	✓	✓	✓	✓	

- 8" high bottom opening.
- Lower section does not match exterior specie unless matching interior is ordered.

Cabinet Code	Advantage				Essence	Doors			Drawer Fronts		
	Price	Exposed End (ea.)	Flush End (ea.)	Shelf	Price	Inset	1/2"	1-1/4"	Inset	1/2"	1-1/4"
VWS2436.5BD						3.4	3.8	4.2	—	—	—

WHV/CSWHV - Wall Hung Vanity



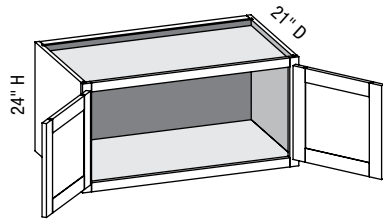
Custom Size Ranges
 Width: 21"– 24"
 Height: 18"– 24"
 Depth: 18"– 21"

D	DF	DB	EXT	EXP	FL	WS	MI	FT
2			✓	✓	✓		✓	

- Advantage line only.
- Constructed with a full top.
- Includes two precut 2" x 4" installation cleats.
- The load capacity of these cabinets is greatly dependent on the quality of the installation screws and whether the cabinets are secured into the wall studs. If not secured into two or more studs, using high quality installation screws the cabinet may not support the desired weight.
- Conestoga will not be responsible for cabinet failure due to inadequate installation techniques or materials.

Cabinet Code	Advantage				Essence	Doors			Drawer Fronts		
	Price	Exposed End (ea.)	Flush End (ea.)	Shelf	Price	Inset	1/2"	1-1/4"	Inset	1/2"	1-1/4"
WHV2124				—	—	2.6	2.9	3.3	—	—	—
WHV2424				—	—	3.1	3.3	3.8	—	—	—

WHV/CSWHV - Wall Hung Vanity w/Butt Doors



Custom Size Ranges
 Width: 24"– 36"
 Height: 18"– 24"
 Depth: 18"– 21"

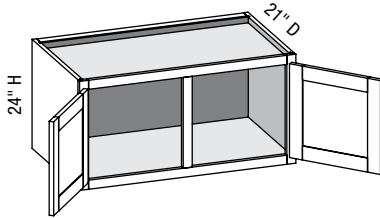
D	DF	DB	EXT	EXP	FL	WS	MI	FT
2			✓	✓	✓		✓	

- Advantage line only.
- Constructed with a full top.
- Includes two precut 2" x 4" installation cleats.
- The load capacity of these cabinets is greatly dependent on the quality of the installation screws and whether the cabinets are secured into the wall studs. If not secured into two or more studs, using high quality installation screws the cabinet may not support the desired weight.
- Conestoga will not be responsible for cabinet failure due to inadequate installation techniques or materials.

Cabinet Code	Advantage				Essence	Doors			Drawer Fronts		
	Price	Exposed End (ea.)	Flush End (ea.)	Shelf	Price	Inset	1/2"	1-1/4"	Inset	1/2"	1-1/4"
WHV2424BD				—	—	3.1	3.3	3.8	—	—	—
WHV2724BD				—	—	3.5	3.8	4.3	—	—	—
WHV3024BD				—	—	3.9	4.3	4.8	—	—	—
WHV3324BD				—	—	4.4	4.7	5.3	—	—	—
WHV3624BD				—	—	4.9	5.2	5.8	—	—	—

Options Key: D=Number of Doors DF=Number of Drawer Fronts DB=Drawer Boxes EXT=Extended Stiles EXP=Exposed End(s)
 FL=Flush End(s) WS=Solid Wood Shelves MI=Matching Interior FT=Flush Toe

WHV/CSWHVCS - Wall Hung Vanity w/Center Stile



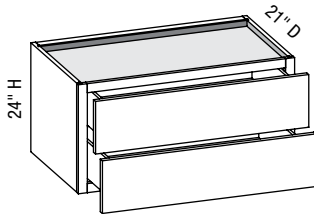
Custom Size Ranges
 Width: 27"– 48"
 Height: 18"– 24"
 Depth: 18"– 21"

D	DF	DB	EXT	EXP	FL	WS	MI	FT
2			✓	✓	✓		✓	

- Advantage line only.
- Constructed with a full top.
- Includes two precut 2" x 4" installation cleats.
- The load capacity of these cabinets is greatly dependent on the quality of the installation screws and whether the cabinets are secured into the wall studs. If not secured into two or more studs, using high quality installation screws the cabinet may not support the desired weight.
- Conestoga will not be responsible for cabinet failure due to inadequate installation techniques or materials.

Cabinet Code	Advantage				Essence	Doors			Drawer Fronts		
	Price	Exposed End (ea.)	Flush End (ea.)	Shelf	Price	Inset	1/2"	1-1/4"	Inset	1/2"	1-1/4"
WHV2724				—	—	3.3	3.7	4.2	—	—	—
WHV3024				—	—	3.7	4.2	4.7	—	—	—
WHV3324				—	—	4.2	4.7	5.2	—	—	—
WHV3624				—	—	4.6	5.1	5.7	—	—	—
WHV3924				—	—	5.0	5.6	6.2	—	—	—
WHV4224				—	—	5.4	6.0	6.7	—	—	—
WHV4524				—	—	5.9	6.5	7.2	—	—	—
WHV4824				—	—	6.3	7.0	7.8	—	—	—

WHV2D/CSWHV2D - Wall Hung Vanity Two Drawers



Custom Size Ranges
 Width: 21"– 36"
 Height: 18"– 24"
 Depth: 18", 21"

D	DF	DB	EXT	EXP	FL	WS	MI	FT
	2	2	✓	✓	✓		✓	

- Advantage line only.
- Tandem slides only.
- Constructed with a full top.
- Includes two precut 2" x 4" installation cleats.
- The load capacity of these cabinets is greatly dependent on the quality of the installation screws and whether the cabinets are secured into the wall studs. If not secured into two or more studs, using high quality installation screws the cabinet may not support the desired weight.
- Conestoga will not be responsible for cabinet failure due to inadequate installation techniques or materials.

Cabinet Code	Advantage				Essence	Doors			Drawer Fronts		
	Price	Exposed End (ea.)	Flush End (ea.)	Shelf	Price	Inset	1/2"	1-1/4"	Inset	1/2"	1-1/4"
WHV2D2124				—	—	—	—	—	1.9	2.1	2.5
WHV2D2424				—	—	—	—	—	2.2	2.4	2.8
WHV2D2724				—	—	—	—	—	3.5	3.8	4.3
WHV2D3024				—	—	—	—	—	3.9	4.3	4.8
WHV2D3324				—	—	—	—	—	4.4	4.7	5.3
WHV2D3624				—	—	—	—	—	4.8	5.2	5.8

Options Key: D=Number of Doors DF=Number of Drawer Fronts DB=Drawer Boxes EXT=Extended Stiles EXP=Exposed End(s)
 FL=Flush End(s) WS=Solid Wood Shelves MI=Matching Interior FT=Flush Toe