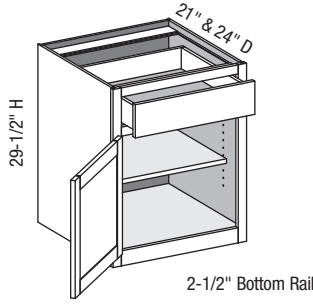




**DB/CSDB - Desk Base**



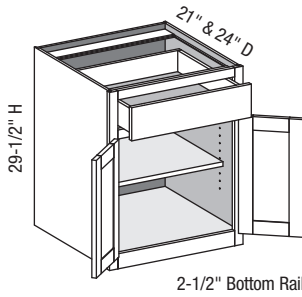
EXP	FL	FUE	SS	PFD	EXT	FT	SBR	LE	TSS	OS	NSH	WS	MI	DT	NB
✓	✓	✓		✓	✓	STD				✓	✓	✓	✓	✓	

Custom Size Ranges  
Width: 12" – 24"  
Height: 29-1/2"  
Depth: 18", 21", 24"

- Specify single or butt doors on custom size cabinets 24" wide.

Cabinet Code	
DB1229.5	DB2129.5
DB1529.5	DB2429.5
DB1829.5	

**DB/CSDB - Desk Base w/Butt Doors**



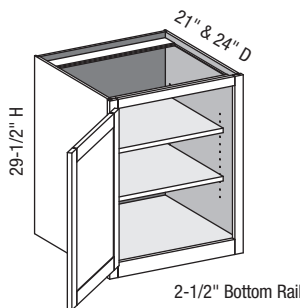
EXP	FL	FUE	SS	PFD	EXT	FT	SBR	LE	TSS	OS	NSH	WS	MI	DT	NB
✓	✓	✓		✓	✓	STD				✓	✓	✓	✓	✓	

Custom Size Ranges  
Width: 24" – 36"  
Height: 29-1/2"  
Depth: 18" – 24"

- Specify single or butt doors on custom size cabinets 24" wide.

Cabinet Code	
DB2429.5BD	

**DBFD/CSDBFD - Desk Base Full Door**



EXP	FL	FUE	SS	PFD	EXT	FT	SBR	LE	TSS	OS	NSH	WS	MI	DT	NB
✓	✓	✓		✓	✓	STD				✓	✓	✓	✓	✓	

Custom Size Ranges  
Width: 12" – 24"  
Height: 29-1/2"  
Depth: 18" – 24"

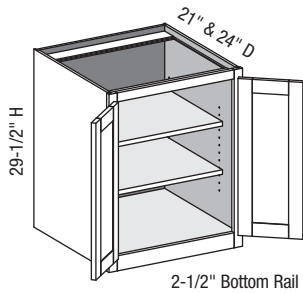
- Specify single or butt doors on custom size cabinets 24" wide.

Cabinet Code	
DBFD1229.5	DBFD2129.5
DBFD1529.5	DBFD2429.5
DBFD1829.5	

**Options Key:** EXP = Exposed End(s) FL = Flush End(s) FUE = Flush Unexposed End(s) SS = Shaped Side PFD = Prep for False Door  
EXT = Extended Stile(s) FT = Flush Toe SBR = Shaped Bottom Rail LE = Leg Extension TSS = Toe Space Side OS = Omit Shelving  
NSH = No Shelf Holes WS = Solid Wood Shelves MI = Matching Interior DT = Dust Top NB = Natural Finished Bottom



**DBFD/CSDBFD - Desk Base Full Door w/Butt Doors**



EXP	FL	FUE	SS	PFD	EXT	FT	SBR	LE	TSS	OS	NSH	WS	MI	DT	NB
✓	✓	✓		✓	✓	STD				✓	✓	✓	✓	✓	

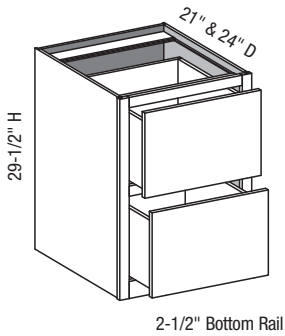
Custom Size Ranges  
Width: 24" – 36"  
Height: 29-1/2"  
Depth: 18" – 24"

- Specify single or butt doors on custom size cabinets 24" wide.

**Cabinet Code**

DBFD2429.5BD

**DB2D/CSDB2D - Desk Base Two Drawers**



EXP	FL	FUE	SS	PFD	EXT	FT	SBR	LE	TSS	OS	NSH	WS	MI	DT	NB
✓	✓	✓		✓	✓	STD				STD	STD		✓	✓	

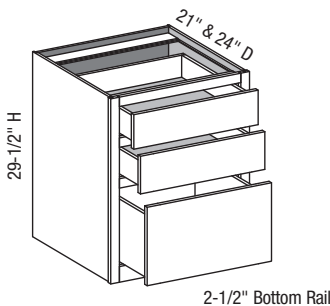
Custom Size Ranges  
Width: 12" – 36"  
Height: 29-1/2"  
Depth: 18", 21", 24"

- Both drawers designed to accommodate Pendaflex files.
- 15" width Pendaflex files must be installed front to back.

**Cabinet Code**

DB2D1529.5	DB2D2129.5
DB2D1829.5	

**DB3D/CSDB3D - Desk Base Three Drawers**



EXP	FL	FUE	SS	PFD	EXT	FT	SBR	LE	TSS	OS	NSH	WS	MI	DT	NB
✓	✓	✓		✓	✓	STD				STD	STD		✓	✓	

Custom Size Ranges  
Width: 12" – 36"  
Height: 29-1/2"  
Depth: 18", 21", 24"

- Bottom drawer designed to accommodate Pendaflex files.
- 15" width Pendaflex files must be installed front to back.

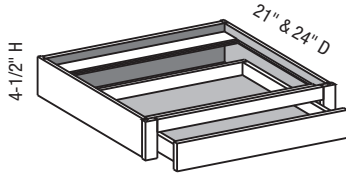
**Cabinet Code**

DB3D1529.5	DB3D2129.5
DB3D1829.5	DB3D2429.5



**DD/CSDD - Desk Drawer**

EXP	FL	FUE	SS	PFD	EXT	FT	SBR	LE	TSS	OS	NSH	WS	MI	DT	NB
✓	✓	✓			✓					STD	STD		✓	✓	



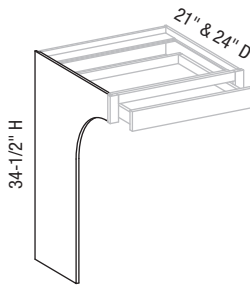
Custom Size Ranges  
Width: 12" – 36"  
Height: 4-1/2"  
Depth: 18", 21", 24"

- No bottom or bottom rail.

Cabinet Code	
DD184.5	DD304.5
DD214.5	DD334.5
DD244.5	DD364.5
DD274.5	

**DDSL (R)/CSDDSL (R) - Desk Drawer Support Left (or Right)**

EXP	FL	FUE	SS	PFD	EXT	FT	SBR	LE	TSS	OS	NSH	WS	MI	DT	NB
✓	✓												✓		



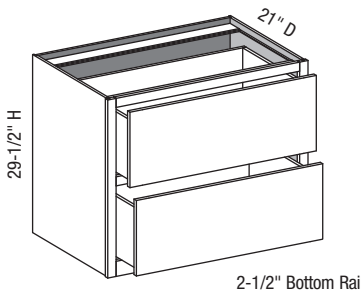
Custom Size Ranges  
Height: 29-1/2" – 42"  
Depth: 18", 21", 24"

- Left shown.
- Bottom can be trimmed to custom height.
- Support leg only.
- Exposed edge is banded with matching specie veneer.

Cabinet Code	
DDSL2134.5	DDSR2134.5
DDSL2434.5	DDSR2434.5

**LF2D/CSLF2D - Lateral File Two Drawer**

EXP	FL	FUE	SS	PFD	EXT	FT	SBR	LE	TSS	OS	NSH	WS	MI	DT	NB
✓	✓	✓		✓	✓	STD				STD	STD		✓	✓	



Custom Size Ranges  
Width: 30" – 36"  
Height: 29-1/2"  
Depth: 21"

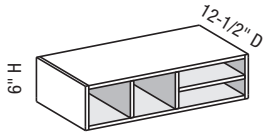
- Full extension interlocking drawer slides only.

Cabinet Code	
LF2D3029.5	LF2D3629.5



**LFS/CSLFS - Letter File Slot**

EXP	FL	FUE	SS	PFD	EXT	FT	SBR	LE	TSS	OS	NSH	WS	MI	DT	NB
STD													STD		



Custom Size Ranges  
Width: 24" – 29-15/16"  
Height: 6"  
Depth: 12-1/2"

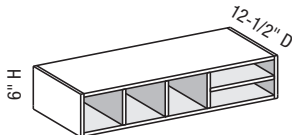
- 1/2" matching specie doweled plywood construction.
- Recessed back design for custom depth modification.
- Exposed edges are banded with matching specie veneer.
- When width changes vertical openings change.

**Cabinet Code**

LFS246	LFS276
--------	--------

**LFS/CSLFS - Letter File Slot**

EXP	FL	FUE	SS	PFD	EXT	FT	SBR	LE	TSS	OS	NSH	WS	MI	DT	NB
STD													STD		



Custom Size Ranges  
Width: 30" – 32-15/16"  
Height: 6"  
Depth: 12-1/2"

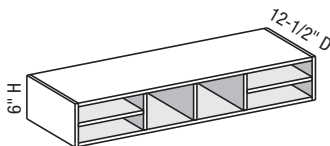
- 1/2" matching specie doweled plywood construction.
- Recessed back design for custom depth modification.
- Exposed edges are banded with matching specie veneer.
- When width changes vertical openings change.

**Cabinet Code**

LFS306
--------

**LFS/CSLFS - Letter File Slot**

EXP	FL	FUE	SS	PFD	EXT	FT	SBR	LE	TSS	OS	NSH	WS	MI	DT	NB
STD													STD		



Custom Size Ranges  
Width: 33" – 38-15/16"  
Height: 6"  
Depth: 12-1/2"

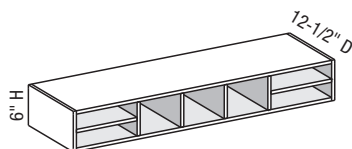
- 1/2" matching specie doweled plywood construction.
- Recessed back design for custom depth modification.
- Exposed edges are banded with matching specie veneer.
- When width changes vertical openings change.

**Cabinet Code**

LFS336	LFS366
--------	--------

**LFS/CSLFS - Letter File Slot**

EXP	FL	FUE	SS	PFD	EXT	FT	SBR	LE	TSS	OS	NSH	WS	MI	DT	NB
STD													STD		



Custom Size Ranges  
Width: 39" – 44-15/16"  
Height: 6"  
Depth: 12-1/2"

- 1/2" matching specie doweled plywood construction.
- Recessed back design for custom depth modification.
- Exposed edges are banded with matching specie veneer.
- When width changes vertical openings change.

**Cabinet Code**

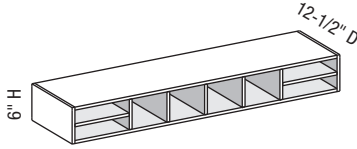
LFS396	LFS426
--------	--------

**Options Key:** EXP = Exposed End(s) FL = Flush End(s) FUE = Flush Unexposed End(s) SS = Shaped Side PFD = Prep for False Door  
EXT = Extended Stile(s) FT = Flush Toe SBR = Shaped Bottom Rail LE = Leg Extension TSS = Toe Space Side OS = Omit Shelving  
NSH = No Shelf Holes WS = Solid Wood Shelves MI = Matching Interior DT = Dust Top NB = Natural Finished Bottom



**LFS/CSLFS - Letter File Slot**

EXP	FL	FUE	SS	PFD	EXT	FT	SBR	LE	TSS	OS	NSH	WS	MI	DT	NB
STD													STD		



Custom Size Ranges  
Width: 45" – 48"  
Height: 6"  
Depth: 12-1/2"

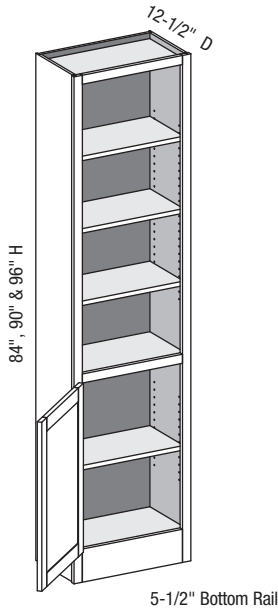
- 1/2" matching specie doweled plywood construction.
- Recessed back design for custom depth modification.
- Exposed edges are banded with matching specie veneer.
- When width changes vertical openings change.

**Cabinet Code**

LFS456	LFS486
--------	--------

**ORC/CSORC - Other Room Cabinet**

EXP	FL	FUE	SS	PFD	EXT	FT	SBR	LE	TSS	OS	NSH	WS	MI	DT	NB
✓	✓	✓		✓	✓	STD				✓	✓	✓	✓		



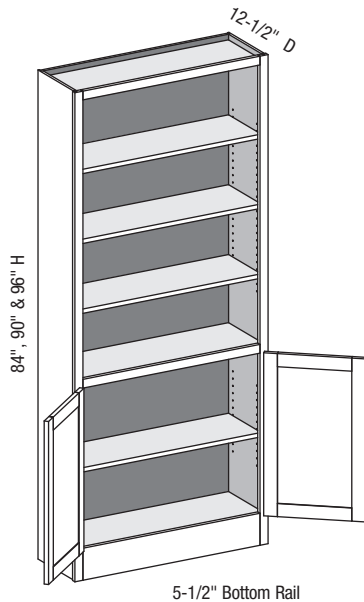
Custom Size Ranges  
Width: 12" – 24"  
Height: 84" – 120"  
Depth: 5-1/2" – 30"

- Matching specie interior is not available over 96" high. Neutral Birch UV material will be used.
- Doors on top section are optional and must be specified.
- Lower section aligns with 34-1/2" high base cabinets.
- When height changes, upper opening height changes. Lower opening height fixed at 27-1/2".
- 84" – 90" high has six shelves.
- 90-1/16" – 96" high has seven shelves.
- 96-1/16" – 108" high has eight shelves.
- 108-1/16" – 120" high has nine shelves.
- Specify single or butt doors on custom size cabinets 24" wide.

84" High	90" High	96" High
ORC1584	ORC1590	ORC1596
ORC1884	ORC1890	ORC1896
ORC2184	ORC2190	ORC2196



**ORC/CSORC - Other Room Cabinet w/Butt Doors**



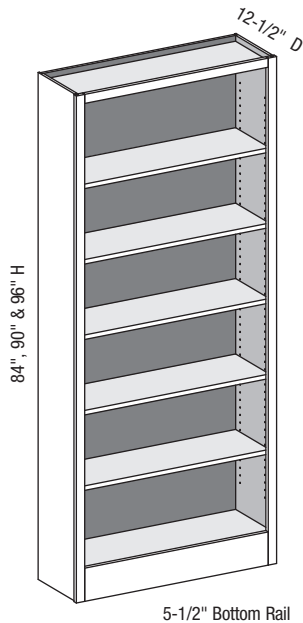
EXP	FL	FUE	SS	PFD	EXT	FT	SBR	LE	TSS	OS	NSH	WS	MI	DT	NB
✓	✓	✓		✓	✓	STD				✓	✓	✓	✓		

Custom Size Ranges  
Width: 24" – 36"  
Height: 84" – 120"  
Depth: 5-1/2" – 30"

- Matching specie interior is not available over 96" high. Neutral Birch UV material will be used.
- Doors on top section are optional and must be specified.
- Lower section aligns with 34-1/2" high base cabinets.
- When height changes, upper opening height changes. Lower opening height fixed at 27-1/2".
- 84" – 90" high has six shelves.
- 90-1/16" – 96" high has seven shelves.
- 96-1/16" – 108" high has eight shelves.
- 108-1/16" – 120" high has nine shelves.
- Specify single or butt doors on custom size cabinets 24" wide.

84" High	90" High	96" High
ORC2484	ORC2490	ORC2496
ORC2784	ORC2790	ORC2796
ORC3084	ORC3090	ORC3096
ORC3384	ORC3390	ORC3396
ORC3684	ORC3690	ORC3696

**ORS/CSORS - Other Room Shelf**



EXP	FL	FUE	SS	PFD	EXT	FT	SBR	LE	TSS	OS	NSH	WS	MI	DT	NB
✓	✓	✓		✓	✓	STD				✓	✓	✓	✓		

Custom Size Ranges  
Width: 12" – 36"  
Height: 84" – 120"  
Depth: 5-1/2" – 30"

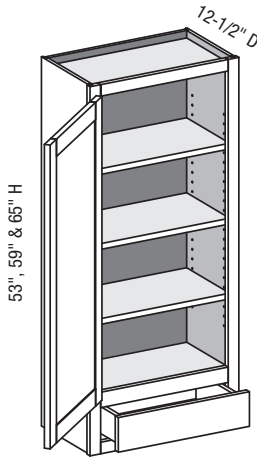
- Matching specie interior is not available over 96" high. Neutral Birch UV material will be used.
- 84" – 90" high has six shelves.
- 90-1/16" – 96" high has seven shelves.
- 96-1/16" – 108" high has eight shelves.
- 108-1/16" – 120" high has nine shelves.

84" High	90" High	96" High
ORS1584	ORS1590	ORS1596
ORS1884	ORS1890	ORS1896
ORS2184	ORS2190	ORS2196
ORS2484	ORS2490	ORS2496
ORS2784	ORS2790	ORS2796
ORS3084	ORS3090	ORS3096
ORS3384	ORS3390	ORS3396
ORS3684	ORS3690	ORS3696



**W1D/CSW1D - Wall One Drawer**

EXP	FL	FUE	SS	PFD	EXT	FT	SBR	LE	TSS	OS	NSH	WS	MI	DT	NB
✓	✓	✓		✓	✓					✓	✓	✓	✓		✓



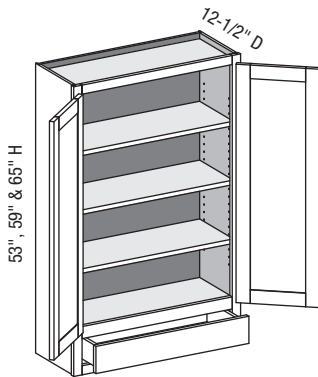
Custom Size Ranges  
Width: 12" – 24"  
Height: 30" – 66"  
Depth: 12", 12-1/2",  
15", 18", 21", 24"

- Side mount ball bearing full extension slides standard.
- 12", 12-1/2" and 15" deep cabinets available with TANDEM slides only.
- When height changes, upper opening height changes. Lower opening height fixed at 5".
- 30" – 35-15/16" high has one shelf.
- 36" – 47-15/16" high has two shelves.
- 48" – 59-15/16" high has three shelves.
- 60" – 66" high has four shelves.
- Specify single or butt doors on custom size cabinets 24" wide.

53" High	59" High	65" High
W1D1553	W1D1559	W1D1565
W1D1853	W1D1859	W1D1865
W1D2153	W1D2159	W1D2165
W1D2453	W1D2459	W1D2465

**W1D/CSW1D - Wall One Drawer w/Butt Doors**

EXP	FL	FUE	SS	PFD	EXT	FT	SBR	LE	TSS	OS	NSH	WS	MI	DT	NB
✓	✓	✓		✓	✓					✓	✓	✓	✓		✓



Custom Size Ranges  
Width: 24" – 36"  
Height: 30" – 66"  
Depth: 12", 12-1/2",  
15", 18", 21", 24"

- Side mount ball bearing full extension slides standard.
- 12", 12-1/2" and 15" deep cabinets available with TANDEM slides only.
- When height changes, upper opening height changes. Lower opening height fixed at 5".
- 30" – 35-15/16" high has one shelf.
- 36" – 47-15/16" high has two shelves.
- 48" – 59-15/16" high has three shelves.
- 60" – 66" high has four shelves.
- Specify single or butt doors on custom size cabinets 24" wide.

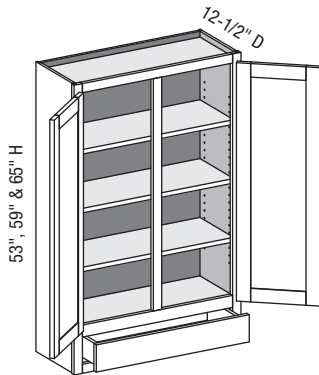
53" High	59" High	65" High
W1D2453BD	W1D2459BD	W1D2465BD
W1D2753BD	W1D2759BD	W1D2765BD
W1D3053BD	W1D3059BD	W1D3065BD
W1D3353BD	W1D3359BD	W1D3365BD
W1D3653BD	W1D3659BD	W1D3665BD

**Options Key:** EXP = Exposed End(s) FL = Flush End(s) FUE = Flush Unexposed End(s) SS = Shaped Side PFD = Prep for False Door  
EXT = Extended Stile(s) FT = Flush Toe SBR = Shaped Bottom Rail LE = Leg Extension TSS = Toe Space Side OS = Omit Shelving  
NSH = No Shelf Holes WS = Solid Wood Shelves MI = Matching Interior DT = Dust Top NB = Natural Finished Bottom



**W1D/CSW1DCS - Wall One Drawer w/Center Stile**

EXP	FL	FUE	SS	PFD	EXT	FT	SBR	LE	TSS	OS	NSH	WS	MI	DT	NB
✓	✓	✓		✓	✓					✓	✓	✓	✓		✓



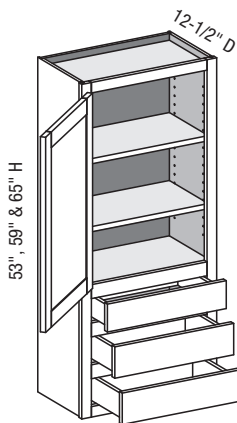
Custom Size Ranges  
Width: 27" – 36"  
Height: 30" – 66"  
Depth: 12", 12-1/2",  
15", 18", 21", 24"

- Side mount ball bearing full extension slides standard.
- 12", 12-1/2" and 15" deep cabinets available with TANDEM slides only.
- When height changes, upper opening height changes. Lower opening height fixed at 5".
- 30" – 35-15/16" high has one shelf.
- 36" – 47-15/16" high has two shelves.
- 48" – 59-15/16" high has three shelves.
- 60" – 66" high has four shelves.
- Specify single or butt doors on custom size cabinets 24" wide.

53" High	59" High	65" High
W1D2753	W1D2759	W1D2759
W1D3053	W1D3059	W1D3059
W1D3353	W1D3359	W1D3359
W1D3653	W1D3659	W1D3659

**W3D/CSW3D - Wall Three Drawer**

EXP	FL	FUE	SS	PFD	EXT	FT	SBR	LE	TSS	OS	NSH	WS	MI	DT	NB
✓	✓	✓		✓	✓					✓	✓	✓	✓		✓



Custom Size Ranges  
Width: 12" – 24"  
Height: 30" – 66"  
Depth: 12", 12-1/2",  
15", 18", 21", 24"

- Side mount ball bearing full extension slides standard.
- 12", 12-1/2" and 15" deep cabinets available with TANDEM slides only.
- When height changes, upper opening height changes. Lower opening height fixed at 5".
- 30" – 41-15/16" high has no shelves.
- 42" – 47-15/16" high has one shelf.
- 48" – 59-15/16" high has two shelves.
- 60" – 66" high has three shelves.
- Specify single or butt doors on custom size cabinets 24" wide.

53" High	59" High	65" High
W3D1553	W3D1559	W3D1565
W3D1853	W3D1859	W3D1865
W3D2153	W3D2159	W3D2165
W3D2453	W3D2459	W3D2465

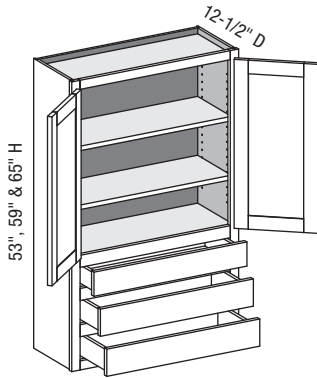
**Options Key:** EXP = Exposed End(s) FL = Flush End(s) FUE = Flush Unexposed End(s) SS = Shaped Side PFD = Prep for False Door  
EXT = Extended Stile(s) FT = Flush Toe SBR = Shaped Bottom Rail LE = Leg Extension TSS = Toe Space Side OS = Omit Shelving  
NSH = No Shelf Holes WS = Solid Wood Shelves MI = Matching Interior DT = Dust Top NB = Natural Finished Bottom





**W3D/CSW3D - Wall Three Drawer w/Butt Doors**

EXP	FL	FUE	SS	PFD	EXT	FT	SBR	LE	TSS	OS	NSH	WS	MI	DT	NB
✓	✓	✓		✓	✓					✓	✓	✓	✓		✓



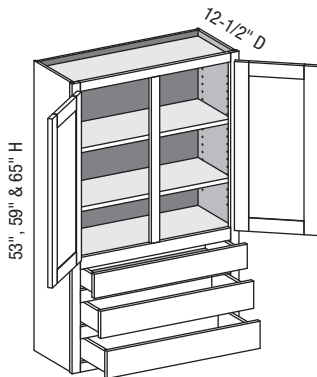
Custom Size Ranges  
Width: 24" – 36"  
Height: 30" – 66"  
Depth: 12", 12-1/2",  
15", 18", 21", 24"

- Side mount ball bearing full extension slides standard.
- 12", 12-1/2" and 15" deep cabinets available with TANDEM slides only.
- When height changes, upper opening height changes. Lower opening height fixed at 5".
- 30" – 41-15/16" high has no shelves.
- 42" – 47-15/16" high has one shelf.
- 48" – 59-15/16" high has two shelves.
- 60" – 66" high has three shelves.
- Specify single or butt doors on custom size cabinets 24" wide.

53" High	59" High	65" High
W3D2453BD	W3D2459BD	W3D2465BD
W3D2753BD	W3D2759BD	W3D2765BD
W3D3053BD	W3D3059BD	W3D3065BD
W3D3353BD	W3D3359BD	W3D3365BD
W3D3653BD	W3D3659BD	W3D3665BD

**W3D/CSW3DCS - Wall Three Drawer w/Center Stile**

EXP	FL	FUE	SS	PFD	EXT	FT	SBR	LE	TSS	OS	NSH	WS	MI	DT	NB
✓	✓	✓		✓	✓					✓	✓	✓	✓		✓



Custom Size Ranges  
Width: 27" – 36"  
Height: 30" – 66"  
Depth: 12", 12-1/2",  
15", 18", 21", 24"

- Side mount ball bearing full extension slides standard.
- 12", 12-1/2" and 15" deep cabinets available with TANDEM slides only.
- When height changes, upper opening height changes. Lower opening height fixed at 5".
- 30" – 41-15/16" high has no shelves.
- 42" – 47-15/16" high has one shelf.
- 48" – 59-15/16" high has two shelves.
- 60" – 66" high has three shelves.
- Specify single or butt doors on custom size cabinets 24" wide.

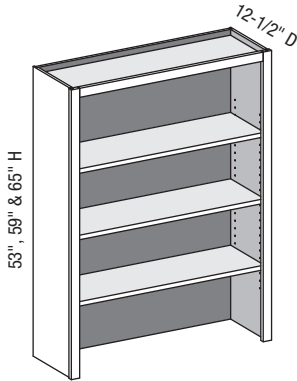
53" High	59" High	65" High
W3D2753	W3D2759	W3D2765
W3D3053	W3D3059	W3D3065
W3D3353	W3D3359	W3D3365
W3D3653	W3D3659	W3D3665

**Options Key:** EXP = Exposed End(s) FL = Flush End(s) FUE = Flush Unexposed End(s) SS = Shaped Side PFD = Prep for False Door  
EXT = Extended Stile(s) FT = Flush Toe SBR = Shaped Bottom Rail LE = Leg Extension TSS = Toe Space Side OS = Omit Shelving  
NSH = No Shelf Holes WS = Solid Wood Shelves MI = Matching Interior DT = Dust Top NB = Natural Finished Bottom



**WOBS/CSWOBS - Wall Open Bookshelf**

EXP	FL	FUE	SS	PFD	EXT	FT	SBR	LE	TSS	OS	NSH	WS	MI	DT	NB
✓	✓	✓		✓	✓					✓	✓	✓	✓		



Custom Size Ranges  
Width: 15" – 36"  
Height: 30" – 66"  
Depth: 5-1/2" – 27"

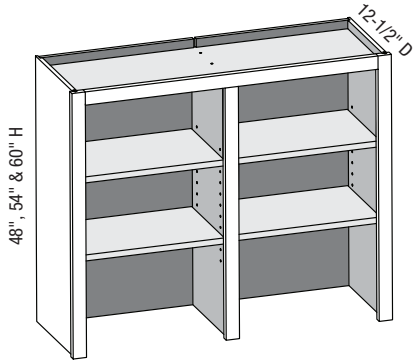
- Solid wood shelves not available with matching specie interior option.
- 30" – 35-15/16" high has one shelf.
- 36" – 47-15/16" high has two shelves.
- 48" – 59-15/16" high has three shelves.
- 60" – 66" high has four shelves.

53" High	59" High	65" High
WOBS1553	WOBS1559	WOBS1565
WOBS1853	WOBS1859	WOBS1865
WOBS2153	WOBS2159	WOBS2165
WOBS2453	WOBS2459	WOBS2465
WOBS2753	WOBS2759	WOBS2765
WOBS3053	WOBS3059	WOBS3065
WOBS3353	WOBS3359	WOBS3365
WOBS3653	WOBS3659	WOBS3665



**WOBSCS/CSWOBSCS – Wall Open Bookshelf w/Center Stile**

EXP	FL	FUE	SS	PFD	EXT	FT	SBR	LE	TSS	OS	NSH	WS	MI	DT	NB
✓	✓	✓		✓	✓					✓	✓	✓	✓		



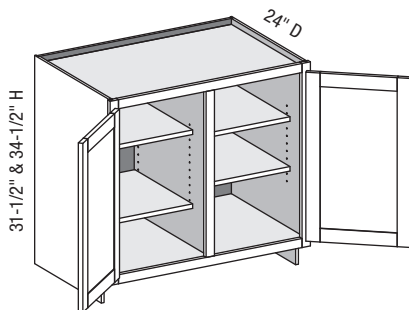
Custom Size Ranges  
Width: 36" – 72"  
Height: 30" – 66"  
Depth: 5-1/2" – 27"

- Fixed vertical partition with independently adjustable shelves.
- Solid wood shelves not available with matching specie interior option.
- 30" – 35-15/16" high has four shelves.
- 36" – 47-15/16" high has six shelves.
- 48" – 66" high has eight shelves.

53" High	59" High	65" High
WOBSCS3653	WOBSCS3659	WOBSCS3665
WOBSCS3953	WOBSCS3959	WOBSCS3965
WOBSCS4253	WOBSCS4259	WOBSCS4265
WOBSCS4553	WOBSCS4559	WOBSCS4565
WOBSCS4853	WOBSCS4859	WOBSCS4865
WOBSCS5153	WOBSCS5159	WOBSCS5165
WOBSCS5453	WOBSCS5459	WOBSCS5465
WOBSCS5753	WOBSCS5759	WOBSCS5765
WOBSCS6053	WOBSCS6059	WOBSCS6065
WOBSCS6353	WOBSCS6359	WOBSCS6365
WOBSCS6653	WOBSCS6659	WOBSCS6665
WOBSCS6953	WOBSCS6959	WOBSCS6965
WOBSCS7253	WOBSCS7259	WOBSCS7265

**MC2FD/CSMC2FD - Media Center Two Full Doors**

EXP	FL	FUE	SS	PFD	EXT	FT	SBR	LE	TSS	OS	NSH	WS	MI	DT	NB
✓	✓	✓	✓	✓	✓	✓	✓	✓		✓	✓	✓	✓	STD	



Custom Size Ranges  
Width: 30" – 48"  
Height: 10" – 48"  
Depth: 5-1/2" – 30"

- Fixed vertical partition with independently adjustable shelves.
- 10" – 22" high has no shelves.
- 22-1/16" – 28" high has one shelf.
- 28-1/16" – 40" high has two shelves.
- 40-1/16" – 48" high has three shelves.

31.5" High	34.5" High
MC2FD3031.5	MC2FD3034.5
MC2FD3331.5	MC2FD3334.5
MC2FD3631.5	MC2FD3634.5
MC2FD3931.5	MC2FD3934.5
MC2FD4231.5	MC2FD4234.5
MC2FD4531.5	MC2FD4534.5
MC2FD4831.5	MC2FD4834.5

**Options Key:** EXP = Exposed End(s) FL = Flush End(s) FUE = Flush Unexposed End(s) SS = Shaped Side PFD = Prep for False Door  
EXT = Extended Stile(s) FT = Flush Toe SBR = Shaped Bottom Rail LE = Leg Extension TSS = Toe Space Side OS = Omit Shelving  
NSH = No Shelf Holes WS = Solid Wood Shelves MI = Matching Interior DT = Dust Top NB = Natural Finished Bottom

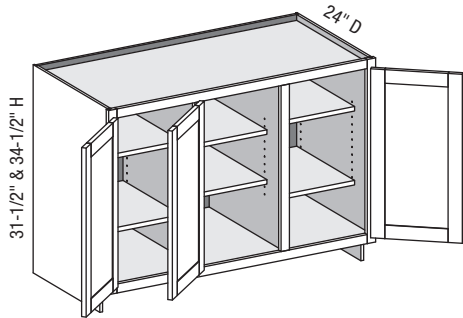


**MC3FD/CSMC3FD - Media Center Three Full Doors**

EXP	FL	FUE	SS	PFD	EXT	FT	SBR	LE	TSS	OS	NSH	WS	MI	DT	NB
✓	✓	✓	✓	✓	✓	✓	✓	✓		✓	✓	✓	✓	STD	

Custom Size Ranges  
 Width: 48" – 72"  
 Height: 10" – 48"  
 Depth: 5-1/2" – 30"

- Fixed vertical partitions with independently adjustable shelves.
- Doors hinged on center stile require 1/2" overlay hinges for 1-1/4" and 1-3/8" overlays.
- 10" – 22" high has no shelves.
- 22-1/16" – 28" high has one shelf.
- 28-1/16" – 40" high has two shelves.
- 40-1/16" – 48" high has three shelves.



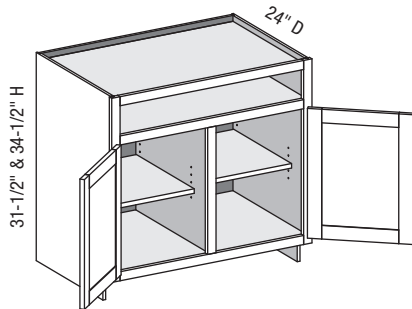
31.5" High	34.5" High
MC3FD4831.5	MC3FD4834.5
MC3FD5131.5	MC3FD5134.5
MC3FD5431.5	MC3FD5434.5
MC3FD5731.5	MC3FD5734.5
MC3FD6031.5	MC3FD6034.5
MC3FD6331.5	MC3FD6334.5
MC3FD6631.5	MC3FD6634.5
MC3FD6931.5	MC3FD6934.5
MC3FD7231.5	MC3FD7234.5

**MC2D/CSMC2D - Media Center Two Door**

EXP	FL	FUE	SS	PFD	EXT	FT	SBR	LE	TSS	OS	NSH	WS	MI	DT	NB
✓	✓	✓	✓	✓	✓	✓	✓	✓		✓	✓	✓	✓	STD	

Custom Size Ranges  
 Width: 30" – 48"  
 Height: 31-1/2" – 42"  
 Depth: 5-1/2" – 30"

- Fixed vertical partition with independently adjustable shelves.
- When height changes, lower opening height changes. Upper opening height fixed at 5".



31.5" High	34.5" High
MC2D3031.5	MC2D3034.5
MC2D3331.5	MC2D3334.5
MC2D3631.5	MC2D3634.5
MC2D3931.5	MC2D3934.5
MC2D4231.5	MC2D4234.5
MC2D4531.5	MC2D4534.5
MC2D4831.5	MC2D4834.5

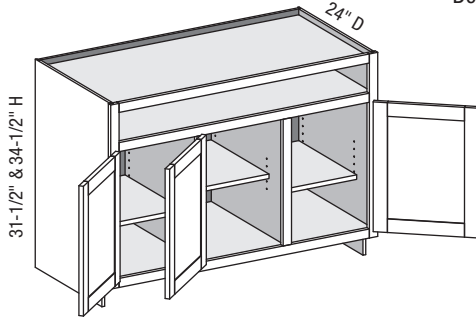


**MC3D/CSMC3D - Media Center Three Door**

EXP	FL	FUE	SS	PFD	EXT	FT	SBR	LE	TSS	OS	NSH	WS	MI	DT	NB
✓	✓	✓	✓	✓	✓	✓	✓	✓		✓	✓	✓	✓	STD	

Custom Size Ranges  
Width: 48" – 72"  
Height: 31-1/2" – 42"  
Depth: 5-1/2" – 30"

- Fixed vertical partitions with independently adjustable shelves.
- When height changes, lower opening height changes. Upper opening height fixed at 5".
- Doors hinged on center style require 1/2" overlay hinges for 1-1/4" and 1-3/8" overlays.



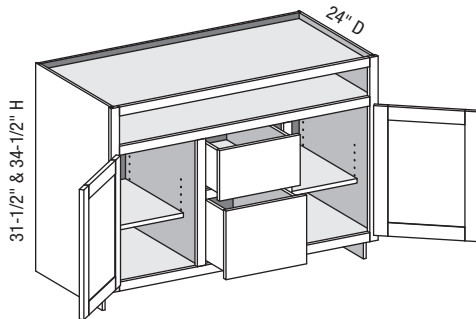
31.5" High	34.5" High
MC3D4831.5	MC3D4834.5
MC3D5131.5	MC3D5134.5
MC3D5431.5	MC3D5434.5
MC3D5731.5	MC3D5734.5
MC3D6031.5	MC3D6034.5
MC3D6331.5	MC3D6334.5
MC3D6631.5	MC3D6634.5
MC3D6931.5	MC3D6934.5
MC3D7231.5	MC3D7234.5

**MC2D2D/CSMC2D2D - Media Center Two Door Two Drawer**

EXP	FL	FUE	SS	PFD	EXT	FT	SBR	LE	TSS	OS	NSH	WS	MI	DT	NB
✓	✓	✓	✓	✓	✓	✓	✓	✓		✓	✓	✓	✓	STD	

Custom Size Ranges  
Width: 48" – 72"  
Height: 31-1/2" – 42"  
Depth: 12", 15", 18"  
21", 24", 27", 30"

- Fixed vertical partitions with independently adjustable shelves.
- When height changes, lower opening height changes. Upper opening height fixed at 5". Middle opening height fixed at 8".



31.5" High	34.5" High
MC2D2D4831.5	MC2D2D4834.5
MC2D2D5131.5	MC2D2D5134.5
MC2D2D5431.5	MC2D2D5434.5
MC2D2D5731.5	MC2D2D5734.5
MC2D2D6031.5	MC2D2D6034.5
MC2D2D6331.5	MC2D2D6334.5
MC2D2D6631.5	MC2D2D6634.5
MC2D2D6931.5	MC2D2D6934.5
MC2D2D7231.5	MC2D2D7234.5

**Options Key:** EXP = Exposed End(s) FL = Flush End(s) FUE = Flush Unexposed End(s) SS = Shaped Side PFD = Prep for False Door  
EXT = Extended Stile(s) FT = Flush Toe SBR = Shaped Bottom Rail LE = Leg Extension TSS = Toe Space Side OS = Omit Shelving  
NSH = No Shelf Holes WS = Solid Wood Shelves MI = Matching Interior DT = Dust Top NB = Natural Finished Bottom

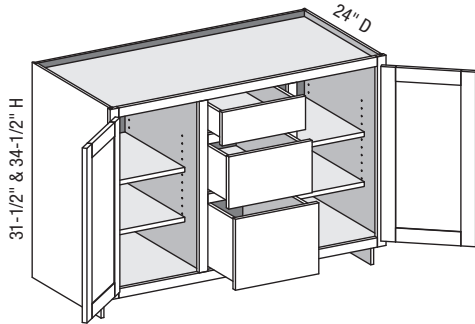


**MC2D3D/CSMC2D3D - Media Center Two Door Three Drawer**

EXP	FL	FUE	SS	PFD	EXT	FT	SBR	LE	TSS	OS	NSH	WS	MI	DT	NB
✓	✓	✓	✓	✓	✓	✓	✓	✓		✓	✓	✓	✓	STD	

Custom Size Ranges  
 Width: 48" – 72"  
 Height: 31-1/2" – 34-1/2"  
 Depth: 12", 15", 18"  
 21", 24", 27", 30"

- Fixed vertical partitions with independently adjustable shelves.
- When height changes, lower opening height changes. Upper opening height fixed at 5". Middle opening height fixed at 8".



31.5" High	34.5" High
MC2D3D4831.5	MC2D3D4834.5
MC2D3D5131.5	MC2D3D5134.5
MC2D3D5431.5	MC2D3D5434.5
MC2D3D5731.5	MC2D3D5734.5
MC2D3D6031.5	MC2D3D6034.5
MC2D3D6331.5	MC2D3D6334.5
MC2D3D6631.5	MC2D3D6634.5
MC2D3D6931.5	MC2D3D6934.5
MC2D3D7231.5	MC2D3D7234.5