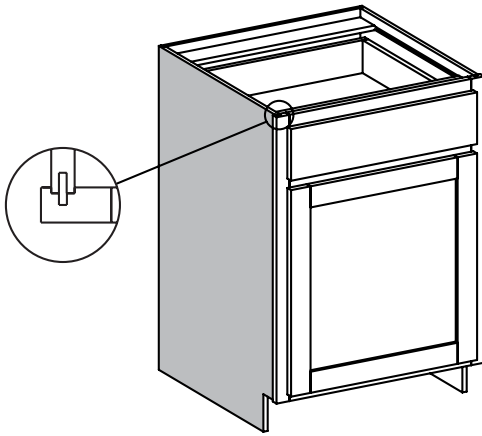




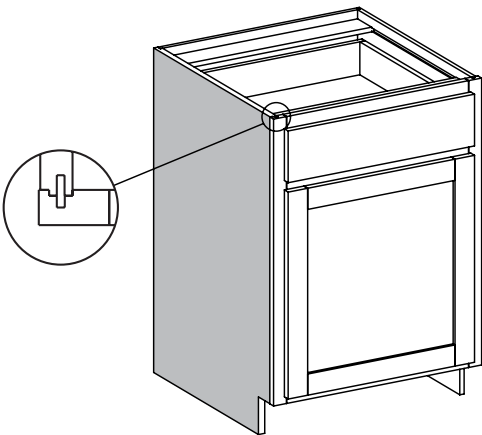
Exposed Ends (EXP)



D	DF	DB	EXT	EXP	FL	WS	MI	FT
				✓				

- Matching specie veneer on 1/2" thick cabinet sides.
- Available in both Advantage and Essence lines.
- Specify: "L" (Left), "R" (Right) or "B" (Both).
- 1/4" reveal from edge of front frame to surface of the side.
- Soft Maple and Hard Maple cabinets have Hard Maple exposed ends.
- Pricing: per cabinet, per side
Advantage: use exposed end pricing column.
Essence: exposed end pricing unpublished.

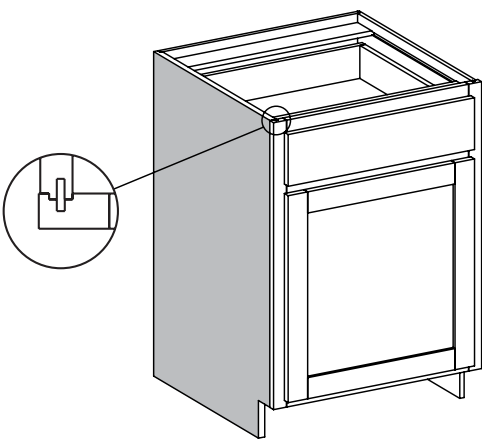
Flush Ends (FL)



D	DF	DB	EXT	EXP	FL	WS	MI	FT
					✓			

- Matching specie veneer on exposed of 3/4" thick cabinet sides.
- Available in Advantage line only.
- Specify: "L" (Left), "R" (Right) or "B" (Both).
- 1/32" reveal from edge of front frame to surface of the side.
- Soft Maple and Hard Maple cabinets have Hard Maple flush ends.
- Pricing: per cabinet, per side – use flush end pricing column.

Flush Unexposed Ends (FUE)

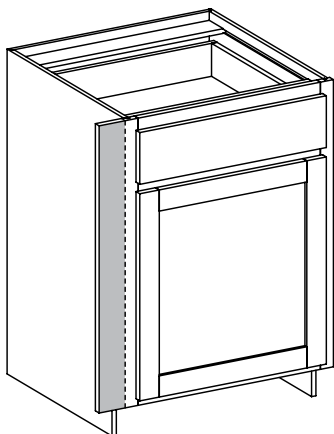


D	DF	DB	EXT	EXP	FL	WS	MI	FT
					✓			

- Shop grade veneer on exterior face of 3/4" thick cabinet sides – finishing is not available.
- Order when thicker, non-exposed sides are required for solid surface and stone counter tops.
- Available in Advantage line only.
- Specify: "L" (Left), "R" (Right) or "B" (Both).
- 1/32" reveal from edge of front frame to surface of the side.
- Pricing: per cabinet, per side – use Conestoga's online ordering system or Conestoga order entry for pricing.



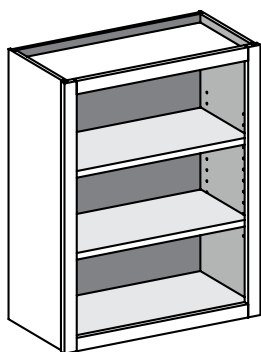
Extended Stiles (EXT)



D	DF	DB	EXT	EXP	FL	WS	MI	FT
			✓					

- Adds 3" to the left, right or both stiles as an alternative to loose filler strips.
- Specify: "ESL" (Extended Stile Left), "ESR" (Extended Stile Right) or "ESB" (Extended Stile Both).
- Total stile width is 4-1/2" with no glue lines.
- Available on most wall, base and tall units.

Matching Interior (MI)



D	DF	DB	EXT	EXP	FL	WS	MI	FT
							✓	

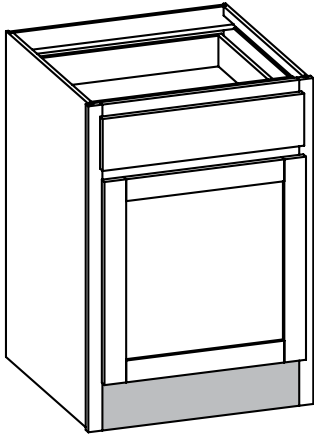
- Cabinets will have unfinished matching specie interior sides, tops, bottoms, shelves and backs.
- Available on Advantage line only.
- Specify: "MI" (Matching Interior).
- Shelves are matching specie 3/4" plywood with veneer edgebanding on front edge.
- Soft Maple and Hard Maple cabinets have Hard Maple veneered interior components.
- Cabinets with matching interior standard do not have the matching interior upcharge included in the cabinet price.
- Pricing: per cabinet – percentage upcharge per specie.

Matching Specie Interior	
Specie	Percent Upcharge
Cherry	30%
Maple	25%
Red Oak	15%

Options Key: D=Number of Doors DF=Number of Drawer Fronts DB=Drawer Boxes EXT=Extended Stiles EXP=Exposed End(s)
 FL=Flush End(s) WS=Solid Wood Shelves MI=Matching Interior FT=Flush Toe



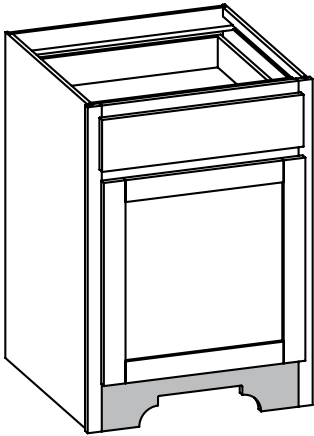
Flush Toe (FT)



D	DF	DB	EXT	EXP	FL	WS	MI	FT
								✓

- Bottom rail height is 5-1/2".
- Specify: "FT" (Flush Toe).
- Cabinet side is manufactured without toe notch.
- 96" tall cabinets do not use a toe platform.
- Available on most base and tall cabinets.

Shaped Bottom Rail (SBR)



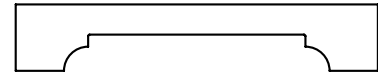
CWS6 – Elegant Arch shown

D	DF	DB	EXT	EXP	FL	WS	MI	FT
					✓			

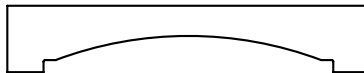
- Rail height is 5-1/2". Flush toe option is standard; cabinet side is constructed without toe notch.
- Design is centered on bottom rail.
- To order specify using CWS designations associated with the design.
- Not available with loose toe platform option for tall cabinets.
- Available on most base, tall and vanity cabinets.
- Minimum cabinet width is 15".
- Use Conestoga's online ordering system or Conestoga order entry for pricing.



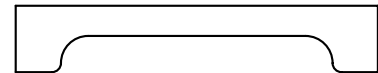
CWS4 – Roman Arch:



CWS6 – Elegant Arch:

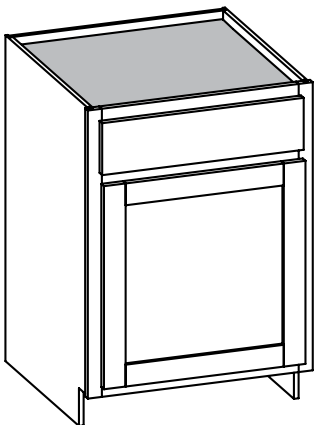


CWS5 – Classic Arch:



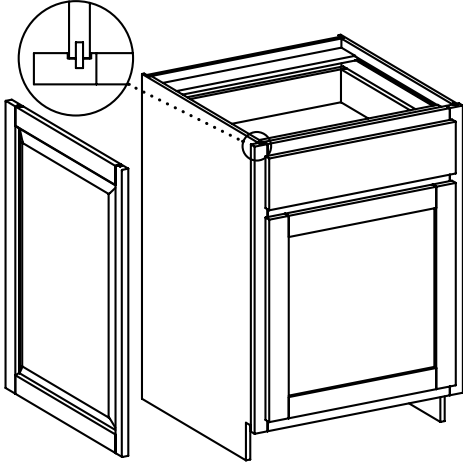
CWS7 – Traditional Arch:

Dust Top (DT)



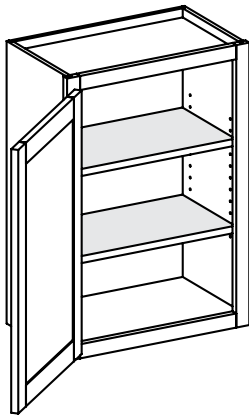
- Full top in place of front and back top strips.
- Available on Advantage or Essence lines.
- Specify: "DT" (Dust Top).
- Use Conestoga's online ordering software or Conestoga order entry for pricing.

Prepare for False Door Side Option (PFD)



- Prepares the sides of wall, base, tall or vanity cabinets to accept 3/4" thick doors as decorative, integral cabinet sides.
- Doors not included, must be ordered separately.
- Cabinet carcass width is reduced to provide a 13/16" extension of the front frame on left, right or both sides. Overall cabinet front width remains unchanged.
- Left and right stiles are 1-1/2" wide.
- Available on Advantage or Essence lines.
- Specify: "L" (Left), "R" (Right) or "B" (Both).
- Available on most wall, base and tall cabinets.
- Concealed Inset Hinges and Pull-Out Trays (POT's) are not available with Prepare for False Door Side Option.
- Use Conestoga's online ordering system or Conestoga order entry for pricing.
- Order door width 3/4" less than overall cabinet depth. Height of door equals cabinet height.

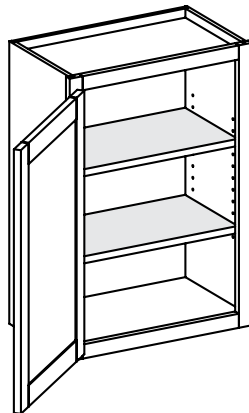
Solid Wood Shelf Upgrade



D	DF	DB	EXT	EXP	FL	WS	MI	FT
						✓		

- Replaces Advantage line 3/4" thick prefinished plywood shelving with 3/4" thick, prefinished solid wood shelving with a bullnose on front edge.
- Solid wood shelves available up to 18" deep.
- Solid wood shelf upgrade is not available with matching interior.
- Pricing: per cabinet – use shelf pricing column.

Plywood Shelf Upgrade

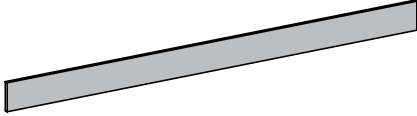


- Replaces Essence line 3/4" thick paper covered particle board shelving with 3/4" thick, prefinished plywood shelving.
- Use Conestoga's online ordering system or Conestoga order entry for pricing.

Options Key: D=Number of Doors DF=Number of Drawer Fronts DB=Drawer Boxes EXT=Extended Stiles EXP=Exposed End(s)
 FL=Flush End(s) WS=Solid Wood Shelves MI=Matching Interior FT=Flush Toe



Plywood Toeboard Strips

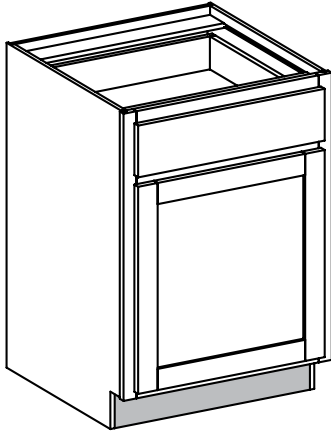


- 1/2" thick 4" x 96" plywood strips available in Cherry, Hard Maple or Red Oak.
- Order as a loose part; specify specie.

Plywood Toeboard Strips TE5003 (4" x 96")

Specie	Price
Cherry	
Maple	
Red Oak	

Plywood Toeboard Backer



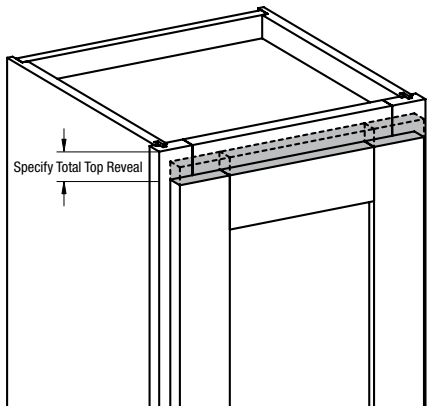
- 1/2" thick unfinished plywood strips.
- Designed to fully enclose base, tall and vanity toe spaces and provide a backer for finished toeboards or mouldings.
- Backers are 4-15/16" high, sized to fit between cabinet sides in the toe space notch.
- To order, check toeboard backer option.

Toeboard Backer Option

Cabinet Width	Price Per Cabinet
Less than 36"	
36-1/16" & above	

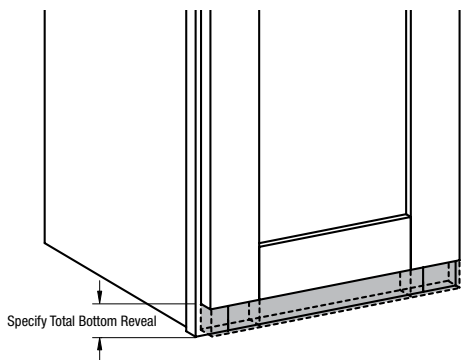


Custom Top Reveal (CTR)



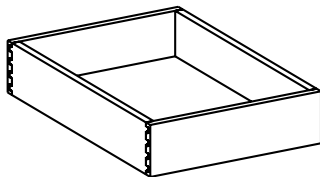
- Reduces door height to attach decorative mouldings directly to a cabinet face frame.
- Left, right and bottom reveal remain unchanged.
- Available with 1-1/4" and 1-3/8" overlay only.
 1-1/4" overlay – 1/2" top reveal is standard, CTR available – 9/16"- 1-1/4".
 1-3/8" overlay – 1/4" top reveal is standard, CTR available – 5/16"- 1-1/4".
- Reveal can be specified in 1/16" increments.
- Specify: "CTR" followed by the total amount of top reveal required.
- Maximum reveal is 1-1/4".
- See the Doors/Overlay Options section for standard overlay rules.

Custom Bottom Reveal (CBR)



- Reduces door height to attach light rail or decorative mouldings directly to the bottom rail of the cabinet face frame.
- Left, right and top reveal remain unchanged.
- Available with 1-1/4" and 1-3/8" overlay only – max CBR 1-1/4".
- Reveal can be specified in 1/16" increments.
- Specify: "CBR" followed by the total amount of bottom reveal required.
- Maximum reveal is 1-1/4".
- See the Doors/Overlay Options section for standard overlay rules.

4 – Sided Dovetail Drawer Boxes



- English dovetail construction.
- Advantage drawer sides and ends are 5/8" thick solid wood with 1/4" Birch plycore bottoms.
- Essence drawer sides and ends are 5/8" thick plywood with 1/4" Birch plycore bottoms.
- Drawer boxes are assembled and prefinished.
- Drawer boxes can be ordered with bottom lip mount or undermount drawer slides and are packaged on a skid separate from cabinets.
- Boxes will be notched and hook hole drilled accordingly, based on slide requirements. Appropriate upcharges apply.
- Hard Maple, Soft Maple and Walnut drawer boxes are available with Cabinet Systems orders; custom pricing and lead-times apply.
- Pricing – use 4-sided pricing column for cabinets using Blum STANDARD 230 slides. Add custom upcharges and drawer slide upgrades as needed per box. See the Interior Storage section of the Custom Product Manual for additional drawer box lead-times, options and pricing.



Drawer Slide Options

Bottom Lip Mount Slides – STANDARD

Blum STANDARD 230

- Standard slide for drawer boxes on 18", 21" and 24" deep cabinets only.
 - Cabinet backs have pilot holes to locate rear mounting brackets.
 - Not available with wall cabinets or POT's.
 - 1/2" bottom reveal is standard.
-

Undermount Slide – Optional Upgrade

Blum TANDEM Plus BLUMOTION Integrated Soft Close

- Optional slide for drawer boxes on 18", 21" and 24" deep cabinets.
 - Standard slide for drawer boxes in 12", 15", 27" and 30" deep cabinets.
 - Cabinet backs have pilot holes to locate rear mounting brackets.
 - Full extension zinc coated steel with rear mount screw-in bracket (15", 18", 21" or 24" deep).
 - Side mount with cleats (12", 27", or 30" deep).
 - 1/2" bottom reveal, undermount notch and hook hole required. Blum TANDEM sizing without slides also available.
 - Upgrade price (including slides and hardware): for 18", 21" and 24" deep cabinets.
-

Side Mount Slides

Ball Bearing Full Extension

- Standard slide for wall cabinets and POT's when ordered with Blum STANDARD 230.
 - Not available with base, vanity or tall cabinets.
 - 1/2" bottom reveal is standard.
-

Ordering - With Cabinet

Select Blum STANDARD 230 or Blum TANDEM Plus BLUMOTION from drawer boxes/drawer slides box on Cabinet Systems order form. Side mount slides will replace Blum STANDARD 230 slides as appropriate for specific cabinets.

Ordering - Loose Parts

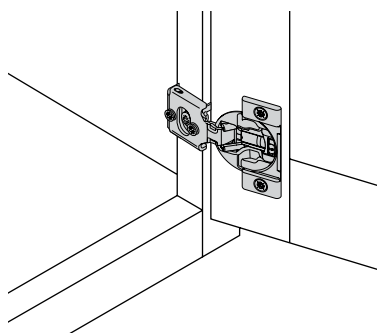
Cabinet Depth	Blum STANDARD 230	Blum TANDEM Plus BLUMOTION	Ball Bearing Full Extension
12" Deep	—	2100497A	—
12-1/2" Deep	—	—	2100069A
15" Deep	—	2100498A	—
18" Deep	2100368A	2100476A	—
21" Deep	2100367A	2100475A	2100028A
24" Deep	2100366A	2100474A	2100027A
27" Deep	—	2100499A	—
30" Deep	—	2100500A	—

Cabinet Hinge Options

BLUM Program Overview

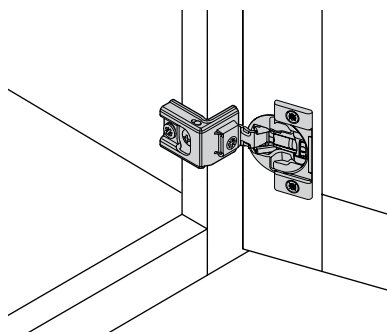
- One piece steel, nickel plated concealed hinges designed for use with 3/4" thick front frames.
- Hinges packed in pairs or bulk pack and include mounting screws, installation instructions and warranty information.
- Hinge option is only available on door styles and edge profiles which support concealed hinge boring.
- Doors over 42" high will receive 3 hinges.
- Specify hinging left or right for single door cabinets if hinge boring option is selected.
- Blum hinges carry a limited lifetime warranty.

COMPACT BLUMOTION – Hinges with Integrated Soft Close



1/2" Overlay Hinge

Blum COMPACT BLUMOTION 38N
105° opening angle



1-1/4" and 1-3/8" Overlay Hinge

Blum COMPACT BLUMOTION 39C
110° opening angle

- Available for 1/2", 1-1/4" and 1-3/8" overlays.
- Soft close feature is integrated in the hinge cup itself.
- Soft close function can be easily deactivated with a switch on individual hinges as needed based on the door size and weight.
- All hinges feature side, height, and depth adjustment for fine tuning door spacing with wraparound face frame mounting for ease of installation.
- Blum COMPACT BLUMOTION hinges require Pattern "A" cup only boring.
- Note: When 1-1/4" or 1-3/8" overlay is ordered, extended stiles or loose filler strips may be required in applications where cabinets are installed next to a tall cabinet, corner cabinet or a wall.
- Hinges available in pairs or bulk pack (50 hinges per pack, including mounting screws).

COMPACT BLUMOTION Hinges (per pair)

Part #	Overlay	Price
2100150A	1/2"	
2100151A	1-1/4"	
2100152A	1-3/8"	

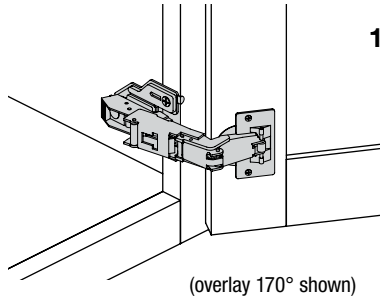
COMPACT BLUMOTION Bulk Pack Hinges (50 hinges)

Part #	Overlay	Price
2100153A	1/2"	
2100154A	1-1/4"	
2100155A	1-3/8"	



Cabinet Hinge Options (continued)

Blum Specialty Hinges



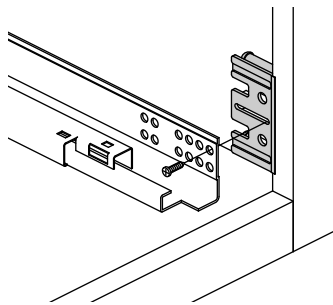
170° Hinges

- Provides full access to cabinet interiors with 170° opening angle for overlay and inset door applications.
- In 1-1/4" and 1-3/8" overlay applications, cabinets will have their doors sized as 1/2" overlay in width only.
- Two-piece, clip style hinge with side, height and depth adjustment points.
- 170° corner hinges require Pattern "B" cup only boring.
- BLUMOTION soft close feature is not available.
- Standard on WCP and BLS cabinets.
- To order loose, specify:
 - Overlay 170° – part # 2100063A
 - Inset 170° – part # 2100509A

Blum 71T6550 hinge
Blum 175H6000 mounting plate
 Overlay 170°

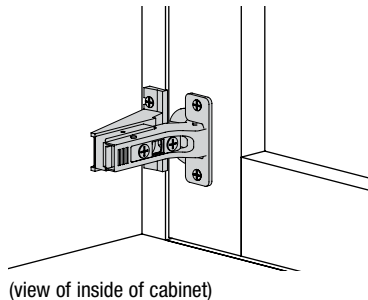
Blum 71T6650 hinge
Blum 175H5030 mounting plate
 Inset 170°

Inset Hardware



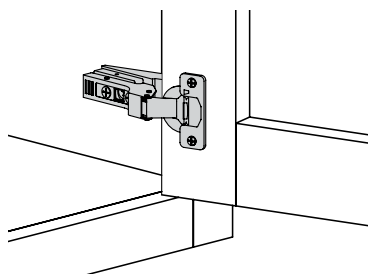
Inset Mounting Brackets for TANDEM plus BLUMOTION Drawer Slides

- Drawer slide adjustable mounting plate system for inset applications with framed cabinetry.
- Eliminates the need for supplemental blocking behind face frames to secure TANDEM slides.
- Sold in pairs, bracket sets include installation screws and instructions.
- Brackets afford up to 5/8" depth adjustment using standard TANDEM rear mounting brackets.
- To order loose, specify part # 2100200.



Concealed Inset Hinges

- Hinge and mounting plate system for concealed inset applications with framed cabinetry.
- Soft close feature is integrated in the hinge cup.
- Hinge packs include screws and two adjustable door stops with bumpers.
- Concealed inset hinges require Pattern "B" cup only boring.
- Door and front frame thickness must match.
- To order loose, specify part # 2100067A.

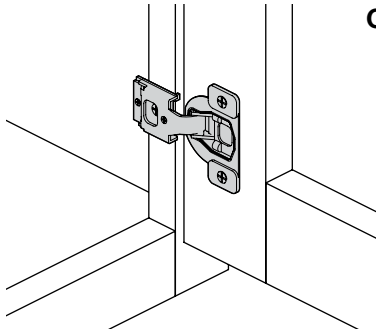


Blum 71B3650NI hinge
Blum 175H5030.21 mounting plate
 120° opening angle

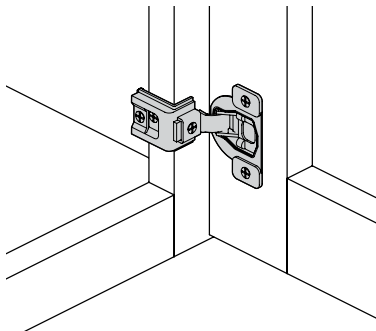
Cabinet Hinge Options (continued)

Ferrari Program Overview

- One piece steel, self closing concealed hinges designed for use with 3/4" thick front frames.
- Hinges packaged in pairs with mounting screws, installation instructions and warranty information.
- Hinge option is only available on door styles and edge profiles which support concealed hinge boring.
- Doors over 42" high will receive 3 hinges.
- Specify hinging left or right for single door cabinets.
- Ferrari hinges carry a limited lifetime warranty.



Ferrari Compacta 1/2" Overlay Hinge
105° opening angle



Ferrari Compacta 1-1/4" and 1-3/8" Overlay Hinge
105° opening angle

Overlay Hinges

- Available with 1/2", 1-1/4" or 1-3/8" overlays.
- Soft close feature is integrated in the hinge cup.
- All hinges feature side, height and depth cam style adjustment for fine tuning door spacing.
- Ferrari hinges require Pattern "A" cup only boring.
- Note: When 1-1/4" or 1-3/8" overlay is ordered, extended stiles or loose filler strips may be required in applications where cabinets are installed next to a tall cabinet, corner cabinet or a wall to ensure adequate clearance for door functionality.

Ferrari Hinges (per pair)		
Part #	Overlay	Price
2100196A	1/2"	
2100197A	1-1/4"	
2100198A	1-3/8"	



Shelf Options

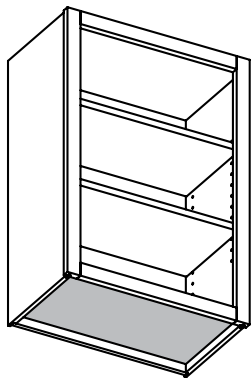
Omit Shelving

- Choose to omit interior shelving in wall, base and tall cabinets.
- Wall and base omit option deletes all shelves.
- Tall cabinets: specify top, bottom or all shelves.
- Omits shelving only; if shelf holes are not required, specify No Shelf Hole Option.
- Use Conestoga's online ordering system or Conestoga order entry for pricing.

No Shelf Hole Option (NSH)

- Choose to omit line boring for shelf rests in wall, base and tall cabinets.
- Most wall and all base omit option deletes all holes.
- Two tiered wall cabinets (TTW) and tall cabinets: specify top, bottom or all holes.
- Omit shelf holes only; if shelves are not required, specify Omit Shelving Option.
- No upcharge.

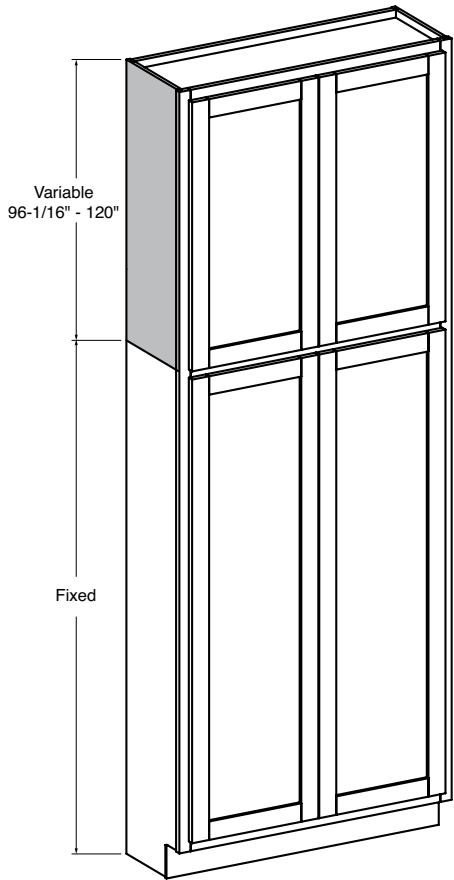
Natural Finished Bottom



- Advantage line only.
- Clear UV finish on Natural Birch veneer on top and bottom of wall cabinets.
- To order, specify natural finished bottom.
- Use Conestoga's online ordering system or Conestoga order entry for pricing.



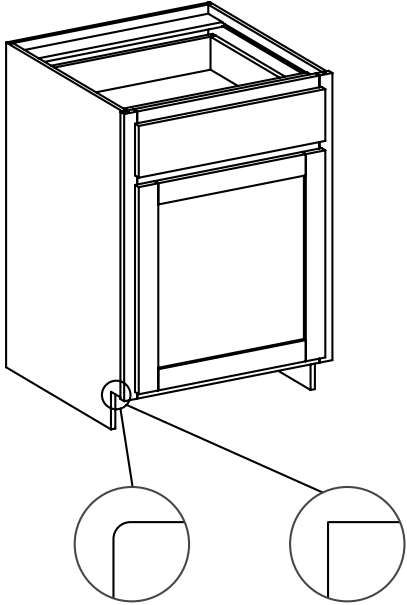
Extended Height Option - Tall Cabinets



- Choose to extend height of Custom Size Tall Cabinets from 96-1/16" to 120".
- Advantage line only.
- Matching interiors not available.
- Fixed section is based on cabinet configuration chosen.
- Flush ends only.
- Use Conestoga's online ordering system or Conestoga order entry for pricing.
- Separate 4" high toe platform is available in all heights and is strongly recommended for the extended height option.
- When cabinet height changes, top opening height changes accordingly.
- Maximum overall height is 120".
- 96-1/16" to 108" tall cabinets have 8 shelves.
- 108-1/16" to 120" tall cabinets have 9 shelves.



Square Toe Notch Option

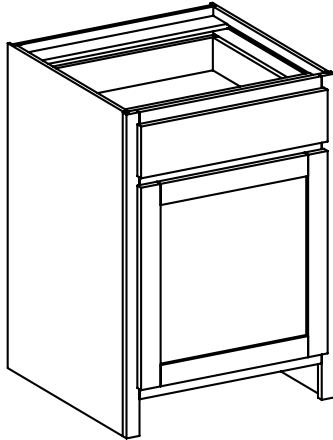


Standard 1/4" radius

90° square toe notch

- Intersecting corner of toe kick notch is 90°.
- Aids in toeboard moulding installation.
- Available on most base, tall and vanity cabinets.
- Not available with flush toe or shaped bottom rail options.

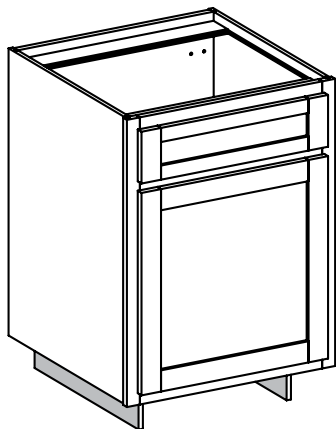
Leg Extension (LE)



- Option extends exterior frame stiles to the floor into toe space for furniture "leg" styling.
- To order specify leg extension left, right or both.
- Stile width is 1-1/2".
- Not available with loose toe platform or shaped bottom rail.
- Toe space side option is available, not on the same side as the extension.
- Available on most base tall and vanity cabinets.
- Minimum cabinet width is 9".
- Toeboard backer available.
- Use Conestoga's online ordering system or Conestoga order entry for pricing.

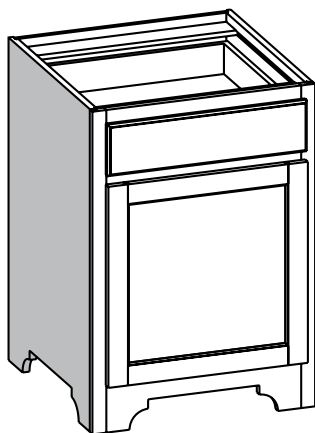


Toe Space Side Option (TSS)



- Places standard toe space depth on the left, right or both sides of most base cabinets.
- Available in Advantage or Essence Lines.
- Specify "TSS" – "L" (Left), "R" (Right) or "B" (Both).
- Toe Space Side is not available on the following cabinets: BLS, BSC, BCFD, BAE, BEAL/R, RTB, RTR, RTL, TCH, DB, DBFD, DB2D, DB3D, LF2D, ORS, DWEP, REP, BFC, WSUD and FS.
- Minimum cabinet width and depth is 15".

Shaped Side Option (SSO)

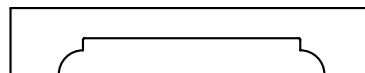


CWS6 – Elegant Arch shown

- Option incorporates one of four valance designs on exposed of flush ends.
- To order, specify using Conestoga designations associated with the design.
- Available in Advantage or Essence Lines.
- Specify "SSO" – "L" (Left), "R" (Right) or "B" (Both).
- Design is centered on the length of the cabinet side
- Not available with extended stiles, loose toe platform or flush unexposed ends.
- Toe space side option is available with but not on the same side as the shaped side option.
- Available on most base, tall and vanity cabinets.
- Minimum cabinet depth is 15".



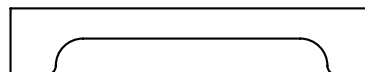
CWS4 – Roman Arch:



CWS6 – Elegant Arch:



CWS5 – Classic Arch:



CWS7 – Traditional Arch: