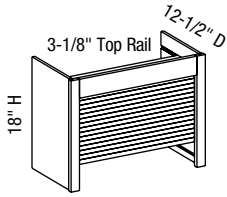




**AG/CSAG - Appliance Garage**



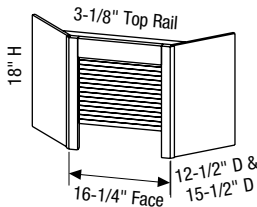
Custom Size Ranges  
Width: 24" & 30" only  
Height: 18"  
Depth: 5-1/2" – 27"

D	DF	DB	EXT	EXP	FL	WS	MI	FT
			✓	✓	✓		✓	

- Sliding tambour door is standard. Hinged butt doors are optional.
- Hard Maple and Soft Maple cabinets will have a Hard Maple tambour door.
- AG30 not available in Red Oak.

Cabinet Code	Advantage				Essence	Doors			Drawer Fronts		
	Price	Exposed End (ea.)	Flush End (ea.)	Shelf	Price	Inset	1/2"	1-1/4"	Inset	1/2"	1-1/4"
AG2418				—		2.1	2.4	2.7	—	—	—
AG3018				—		2.7	3.1	3.4	—	—	—

**CAG/CSCAG - Corner Appliance Garage**



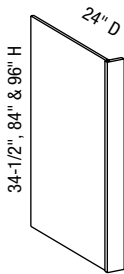
Custom Size Ranges  
Width: 24" & 27" only  
Height: 18"  
Depth: 24" & 27" only

D	DF	DB	EXT	EXP	FL	WS	MI	FT
				✓	✓		✓	

- Sliding tambour door is standard. Hinged door is optional.
- Hard Maple and Soft Maple cabinets will have a Hard Maple tambour door.

Cabinet Code	Advantage				Essence	Doors			Drawer Fronts		
	Price	Exposed End (ea.)	Flush End (ea.)	Shelf	Price	Inset	1/2"	1-1/4"	Inset	1/2"	1-1/4"
CAG2418				—		1.4	1.6	1.7	—	—	—
CAG2718				—		1.4	1.6	1.7	—	—	—

**DWEP/REP/CSEP - Dishwasher/Refrigerator End Panel**



Custom Size Ranges  
Width: 1-1/2" & 3"  
Height: 12" – 120"  
Depth: 5-1/2" – 30"

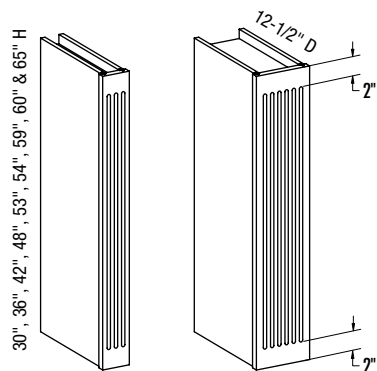
D	DF	DB	EXT	EXP	FL	WS	MI	FT
				STD	✓		STD	

- Advantage line only.
- 1-1/2" or 3" stile.
- Matching specie veneer standard on both sides, except when height exceeds 96-1/16" up to 120", where Natural Birch UV will be used.

Cabinet Code	Price	Flush End (ea.)
DWEP2434.5		
REP2484		
REP2784		
REP2496		
REP2796		



**WFC/CSWFC - Wall Filler Columns**



Custom Size Ranges  
 Width: 3" & 6" only  
 Height: 12" – 65"  
 Depth: 5-1/2" – 27"

D	DF	DB	EXT	EXP	FL	WS	MI	FT
				✓	✓			

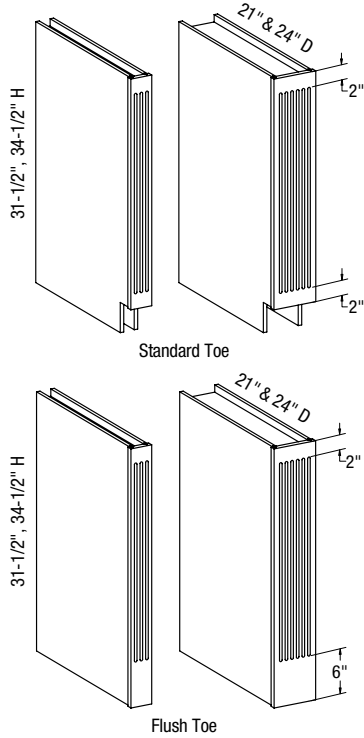
- Specify either tapered, rounded or no flutes.
- 3" columns have three flutes; 6" columns have six flutes.
- When filler columns are required for use with home office base cabinets, order a CSWFC 29-1/2" high.

Cabinet Code	Advantage				Essence	Doors			Drawer Fronts		
	Price	Exposed End (ea.)	Flush End (ea.)	Shelf	Price	Inset	1/2"	1-1/4"	Inset	1/2"	1-1/4"
WFC0330				—		—	—	—	—	—	—
WFC0630				—		—	—	—	—	—	—
WFC0336				—		—	—	—	—	—	—
WFC0636				—		—	—	—	—	—	—
WFC0342				—		—	—	—	—	—	—
WFC0642				—		—	—	—	—	—	—
WFC0348				—		—	—	—	—	—	—
WFC0648				—		—	—	—	—	—	—
WFC0353				—		—	—	—	—	—	—
WFC0653				—		—	—	—	—	—	—
WFC0354				—		—	—	—	—	—	—
WFC0654				—		—	—	—	—	—	—
WFC0359				—		—	—	—	—	—	—
WFC0659				—		—	—	—	—	—	—
WFC0360				—		—	—	—	—	—	—
WFC0660				—		—	—	—	—	—	—
WFC0365				—		—	—	—	—	—	—
WFC0665				—		—	—	—	—	—	—

**Options Key:** D=Number of Doors DF=Number of Drawer Fronts DB=Drawer Boxes EXT=Extended Stiles EXP=Exposed End(s)  
 FL=Flush End(s) WS=Solid Wood Shelves MI=Matching Interior FT=Flush Toe



**BFC/CSBFC - Base Filler Columns**



Custom Size Ranges  
Width: 3" & 6" only  
Height: 31-1/2" – 96"  
Depth: 5-1/2" – 30"

D	DF	DB	EXT	EXP	FL	WS	MI	FT
				✓	✓			✓

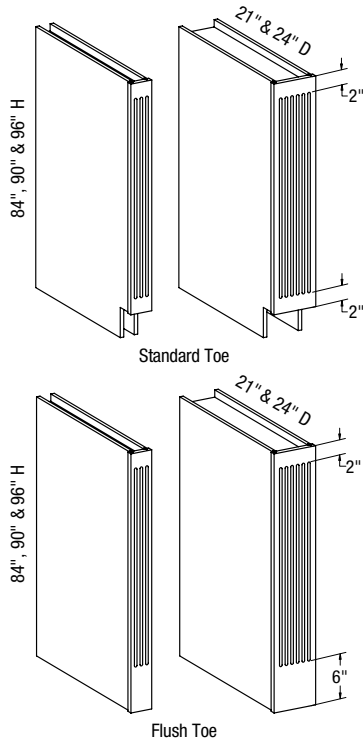
- Specify either tapered, rounded or no flutes.
- 3" columns have three flutes; 6" columns have six flutes.
- Cabinets with flush toe option have a 6" lower margin.

Cabinet Code	Advantage				Essence	Doors			Drawer Fronts		
	Price	Exposed End (ea.)	Flush End (ea.)	Shelf	Price	Inset	1/2"	1-1/4"	Inset	1/2"	1-1/4"
BFC0331.5				—		—	—	—	—	—	—
BFC0631.5				—		—	—	—	—	—	—
BFC0334.5				—		—	—	—	—	—	—
BFC0634.5				—		—	—	—	—	—	—

**Options Key:** D=Number of Doors DF=Number of Drawer Fronts DB=Drawer Boxes EXT=Extended Stiles EXP=Exposed End(s)  
FL=Flush End(s) WS=Solid Wood Shelves MI=Matching Interior FT=Flush Toe



**TFC/CSTFC - Tall Filler Columns**



Custom Size Ranges  
 Width: 3" & 6" only  
 Height: 31-1/2" - 96"  
 Depth: 5-1/2" - 27"

D	DF	DB	EXT	EXP	FL	WS	MI	FT
				✓	✓			✓

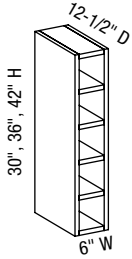
- Specify either tapered, rounded or no flutes.
- 3" columns have three flutes; 6" columns have six flutes.
- Cabinets with flush toe option have a 6" lower margin.

Cabinet Code	Advantage				Essence	Doors			Drawer Fronts		
	Price	Exposed End (ea.)	Flush End (ea.)	Shelf	Price	Inset	1/2"	1-1/4"	Inset	1/2"	1-1/4"
TFC0384				—		—	—	—	—	—	—
TFC0684				—		—	—	—	—	—	—
TFC0390				—		—	—	—	—	—	—
TFC0690				—		—	—	—	—	—	—
TFC0396				—		—	—	—	—	—	—
TFC0696				—		—	—	—	—	—	—

**Options Key:** D=Number of Doors DF=Number of Drawer Fronts DB=Drawer Boxes EXT=Extended Stiles EXP=Exposed End(s)  
 FL=Flush End(s) WS=Solid Wood Shelves MI=Matching Interior FT=Flush Toe



**WSU/CSWSUW - Wine Storage Unit**



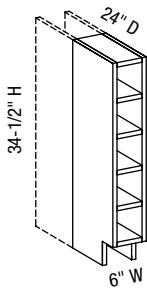
Custom Size Ranges  
Width: 6"  
Height: 30", 36", 42"  
Depth: 12-1/2"– 27"

D	DF	DB	EXT	EXP	FL	WS	MI	FT
				STD			STD	

- Advantage line only.
- 3/4" matching specie plywood with dowel construction.
- Exposed edges are banded with matching specie veneer.
- Hard Maple plywood used for Hard and Soft Maple lines.
- 30" high has 5 openings, 36" high has 6 openings, 42" high has 7 openings.
- 11-3/4" interior depth. When ordered deeper than 12-1/2" side extends past back.

Cabinet Code	Advantage				Essence	Doors			Drawer Fronts		
	Price	Exposed End (ea.)	Flush End (ea.)	Shelf	Price	Inset	1/2"	1-1/4"	Inset	1/2"	1-1/4"
WSU0630		—	—	—	—	—	—	—	—	—	—
WSU0636		—	—	—	—	—	—	—	—	—	—
WSU0642		—	—	—	—	—	—	—	—	—	—

**WSUD/CSWSUD - Wine Storage Unit Deep**



Custom Size Ranges  
Width: 6"  
Height: 34-1/2" only  
Depth: 12-1/2"– 30"

D	DF	DB	EXT	EXP	FL	WS	MI	FT
				STD			STD	

- Advantage line only.
- 3/4" matching specie plywood with dowel construction.
- Exposed edges are banded with matching specie veneer.
- Hard Maple plywood used for Hard and Soft Maple lines.
- 11-3/4" interior depth. When ordered deeper than 12-1/2" side extends past back.

Cabinet Code	Advantage				Essence	Doors			Drawer Fronts		
	Price	Exposed End (ea.)	Flush End (ea.)	Shelf	Price	Inset	1/2"	1-1/4"	Inset	1/2"	1-1/4"
WSUD0634.5		—	—	—	—	—	—	—	—	—	—

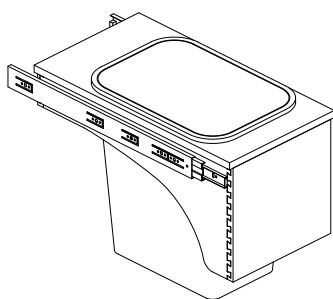
**Options Key:** D=Number of Doors DF=Number of Drawer Fronts DB=Drawer Boxes EXT=Extended Stiles EXP=Exposed End(s)  
FL=Flush End(s) WS=Solid Wood Shelves MI=Matching Interior FT=Flush Toe



**Trash Can Pull-Outs**

- Designed to fit standard 24" deep Cabinet Systems cabinets.
- Available in Natural Birch and Hard Maple.
- 3/4" thick Hard Maple edgebanded plywood top.
- Front height is 10" to accommodate door mounting. Rear height is 3", depth is fixed at 21-3/4".
- Ball bearing full extension drawer slides are standard – no options.
- Trash can pull-out size must be ordered the width and depth of the cabinet it is to be installed in.

**TCPS/CSTCPS - Trash Can Pull-Out Single**

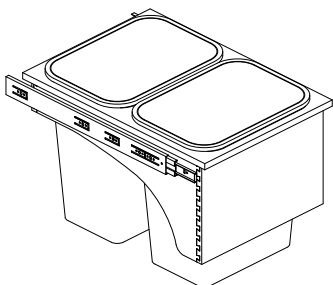


Custom Size Ranges  
 Width: 15"– 21"  
 Height: Min. opening 16"  
 Depth: 24"

- Includes one Rubbermaid® 7-gallon, almond color waste can.

Cabinet Code	Price
TCPS1524	
TCPS1824	
TCPS2124	

**TCPD/CSTCPD - Trash Can Pull-Out Double**

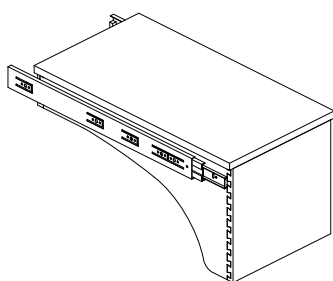


Custom Size Ranges  
 Width: 21"– 30"  
 Height: Min. opening 16"  
 Depth: 24"

- Includes two Rubbermaid® 7-gallon, almond color waste cans.

Cabinet Code	Price
TCPD2124	
TCPD2424	
TCPD2724	
TCPD3024	

**TCPN/CSTCPN - Trash Can Pull-Out No Cut-Out**



Custom Size Ranges  
 Width: 15"– 30"  
 Height: Min. opening 16"  
 Depth: 24"

- Does not include waste can.
- Plywood top is shipped loose.

Cabinet Code	Price
TCPN1524	
TCPN1824	
TCPN2124	
TCPN2424	
TCPN2724	
TCPN3024	

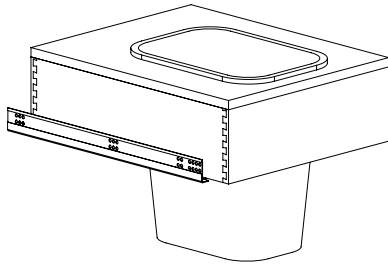
**Options Key:** D=Number of Doors DF=Number of Drawer Fronts DB=Drawer Boxes EXT=Extended Stiles EXP=Exposed End(s)  
 FL=Flush End(s) WS=Solid Wood Shelves MI=Matching Interior FT=Flush Toe



**Trash Can Pull-Outs**

- Designed to fit standard 24" deep Cabinet Systems cabinets.
- Natural Birch box and 3/4" thick Hard Maple edgebanded plywood top.
- Unit height is 6" to accommodate door mounting. Depth is fixed at 21-3/4".
- Blum TANDEM Plus full extension drawer slides are standard – no options.
- Trash can pull-out size must be ordered the width and depth of the cabinet it is to be installed in.

**TCPTS/CSTCPTS - Trash Can Pull-Out TANDEM Single**

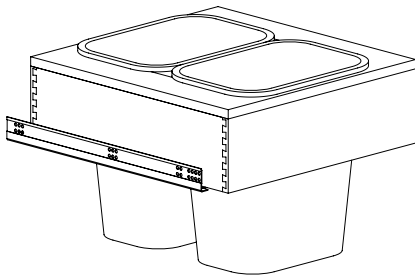


Custom Size Ranges  
Width: 18"– 21"  
Height: Min. opening 16"  
Depth: 24"

- Includes one Rubbermaid® 7-gallon, almond color waste can.

Cabinet Code	Price
TCPTS1824	
TCPTS2124	

**TCPTD/CSTCPTD - Trash Can Pull-Out TANDEM Double**

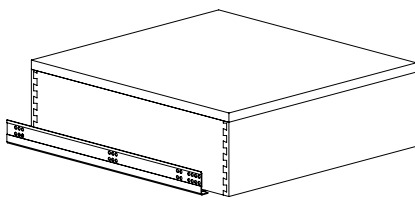


Custom Size Ranges  
Width: 24"– 30"  
Height: Min. opening 16"  
Depth: 24"

- Includes two Rubbermaid® 7-gallon, almond color waste cans.

Cabinet Code	Price
TCPTD2424	
TCPTD2724	
TCPTD3024	

**TCPTN/CSTCPTN - Trash Can Pull-Out TANDEM No Cut-Out**



Custom Size Ranges  
Width: 18"– 30"  
Height: Min. opening 16"  
Depth: 24"

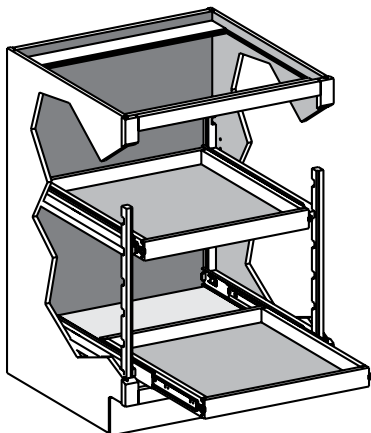
- Does not include waste can.
- Plywood top is shipped loose.

Cabinet Code	Price
TCPTN1824	
TCPTN2124	
TCPTN2424	
TCPTN2724	
TCPTN3024	

**Options Key:** D=Number of Doors DF=Number of Drawer Fronts DB=Drawer Boxes EXT=Extended Stiles EXP=Exposed End(s)  
FL=Flush End(s) WS=Solid Wood Shelves MI=Matching Interior FT=Flush Toe



**Pull-Out Trays**



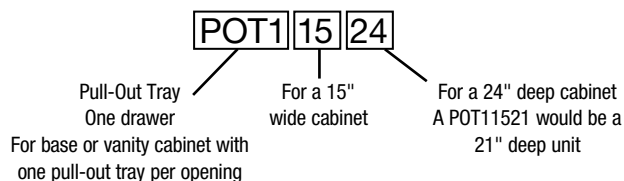
- POT system includes corner cleats and dovetail trays.
- Provides tool free location change of pull out trays.
- Adjustable pull-out system features unfinished Soft Maple components.
- Boxes are 2" high and available for 21" or 24" deep base, vanity or tall cabinets.
- Cabinets ordered with Blum STANDARD 230 slides will receive ball bearing full extension drawer slides.
- Cabinets ordered with Blum TANDEM slides will receive TANDEM slides.
- All POT kits available sized for inset (1-1/2" less in drawer box width) to allow for door clearance with non-mortise hinges. Also can be used in cabinets adjacent to a wall or a tall cabinet where doors may not open fully for additional clearance. Add "I" to the end of the POT code for inset sizing. Example: POT21524-I.
- Pricing: per POT system.

**Pull-Out Trays - Product Code Descriptions**

Code	Name	Description
POT1	Pull-Out Tray	For base or vanity cabinet with 1 pull-out tray per opening
POT2	Pull-Out Tray	For base or vanity cabinet with 2 pull-out trays per opening
POTT	Pull-Out Tray Tall	For tall cabinets with 4 pull-out trays
POTS	Pull-Out Tray Single	Individual pull-out tray: drawer cleats, slide, bumpers and one drawer box
BD	Butt Door Indicator	Codes ending in "BD" indicate pull-out trays designed for use with butt door cabinets

On the Cabinet Systems order form, enter the desired pull-out tray code number in the column "Conestoga Cabinet Code #". This pull-out tray must match the width, depth and door configuration of the cabinet it is to be installed in.

Example of pull-out tray code number

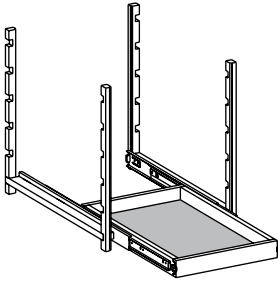


**Options Key:** D=Number of Doors DF=Number of Drawer Fronts DB=Drawer Boxes EXT=Extended Stiles EXP=Exposed End(s)  
 FL=Flush End(s) WS=Solid Wood Shelves MI=Matching Interior FT=Flush Toe





**POT1/CSPOT1 - Pull-Out Trays**

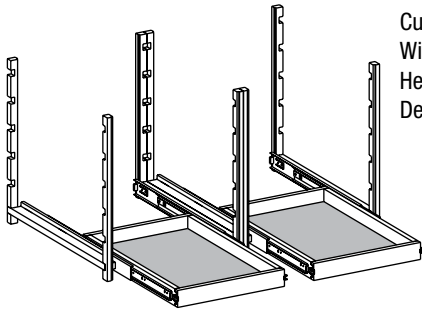


Custom Size Ranges  
Width: 15"– 36"  
Height: 34-1/2"  
Depth: 21", 24"

- Corner cleats can be trimmed to size when used with a shelf.

24" Deep	Price	24" Deep w/Butt Doors	Price	21" Deep	Price	21" Deep w/Butt Doors	Price
POT11524		—	—	POT11521		—	—
POT11824		—	—	POT11821		—	—
POT12124		—	—	POT12121		—	—
POT12424		—	—	POT12421		—	—
—	—	POT12724BD		—	—	POT12721BD	
—	—	POT13024BD		—	—	POT13021BD	
—	—	POT13324BD		—	—	—	—
—	—	POT13624BD		—	—	POT13621BD	
—	—	POT13924BD		—	—	—	—
—	—	POT14224BD		—	—	—	—

**POT1/CSPOT1CS - Pull-Out Trays**



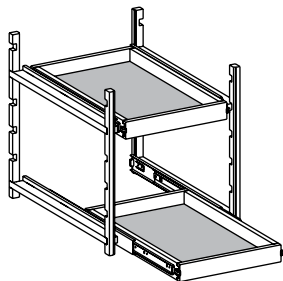
Custom Size Ranges  
Width: 30"– 48"  
Height: 34-1/2"  
Depth: 21", 24"

- Corner cleats can be trimmed to size when used with a shelf.

24" Deep	Price	24" Deep w/Butt Doors	Price	21" Deep	Price	21" Deep w/Butt Doors	Price
POT13024		—	—	POT13021N		—	—
POT13324		—	—	—	—	—	—
POT13624		—	—	POT13621N		—	—
POT13924		—	—	—	—	—	—
POT14224		—	—	—	—	—	—
POT14524		—	—	—	—	—	—
POT14824		—	—	—	—	—	—

**Options Key:** D=Number of Doors DF=Number of Drawer Fronts DB=Drawer Boxes EXT=Extended Stiles EXP=Exposed End(s)  
FL=Flush End(s) WS=Solid Wood Shelves MI=Matching Interior FT=Flush Toe

**POT2/CSPOT2 - Pull-Out Trays**

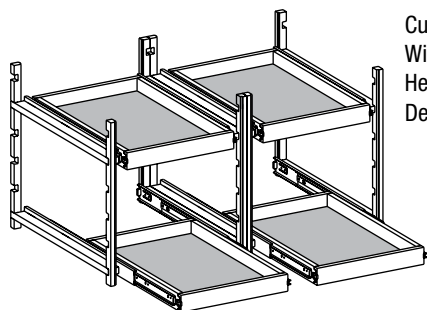


Custom Size Ranges  
 Width: 15"– 42"  
 Height: 34-1/2"  
 Depth: 21", 24"

- Corner cleats can be trimmed to size when used with a shelf.

24" Deep	Price	24" Deep w/Butt Doors	Price	21" Deep	Price	21" Deep w/Butt Doors	Price
POT21524		—	—	POT21521		—	—
POT21824		—	—	POT21821		—	—
POT22124		—	—	POT22121		—	—
POT22424		—	—	POT22421		—	—
—	—	POT22724BD	—	—	—	POT22721BD	—
—	—	POT23024BD	—	—	—	POT23021BD	—
—	—	POT23324BD	—	—	—	—	—
—	—	POT23624BD	—	—	—	POT23621BD	—
—	—	POT23924BD	—	—	—	—	—
—	—	POT24224BD	—	—	—	—	—

**POT2/CSPOT2CS - Pull-Out Trays**



Custom Size Ranges  
 Width: 30"– 48"  
 Height: 34-1/2"  
 Depth: 21", 24"

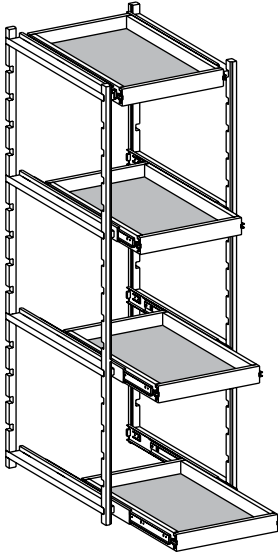
- Corner cleats can be trimmed to size when used with a shelf.

24" Deep	Price	24" Deep w/Butt Doors	Price	21" Deep	Price	21" Deep w/Butt Doors	Price
POT23024		—	—	POT23021		—	—
POT23324		—	—	—	—	—	—
POT23624		—	—	POT23621		—	—
POT23924		—	—	—	—	—	—
POT24224		—	—	—	—	—	—
POT24524		—	—	—	—	—	—
POT24824		—	—	—	—	—	—

**Options Key:** D=Number of Doors DF=Number of Drawer Fronts DB=Drawer Boxes EXT=Extended Stiles EXP=Exposed End(s)  
 FL=Flush End(s) WS=Solid Wood Shelves MI=Matching Interior FT=Flush Toe



**POTT/CSPOTT - Pull-Out Trays Tall**

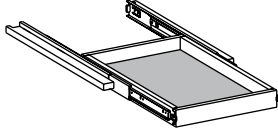


Custom Size Ranges  
Width: 15"– 36"  
Height: 84"– 96"  
Depth: 21", 24"

- Corner cleats can be trimmed to size when used with a shelf.
- Unit fits larger section of 84", 90", or 96" high cabinets.

24" Deep	Price	24" Deep w/Butt Doors	Price	21" Deep	Price	21" Deep w/Butt Doors	Price
POTT1524		POTT2724BD		—	—	—	—
POTT1824		POTT3024BD		POTT1821		—	—
POTT2124		POTT3324BD		POTT2121		—	—
POTT2424		POTT3624BD		POTT2421		—	—

**POTS/CSPOTS - Pull-Out Trays Single - Single Opening**

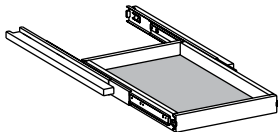


Custom Size Ranges  
Width: 15"– 48"  
Height: 34-1/2"  
Depth: 21", 24"

- No corner cleats included.
- Designed to be used when additional trays are needed within a POT system one opening wide.

24" Deep	Price	24" Deep w/Butt Doors	Price	21" Deep	Price	21" Deep w/Butt Doors	Price
POTS1524		POTS2724BD		POTS1521		POTS2721BD	
POTS1824		POTS3024BD		POTS1821		POTS3021BD	
POTS2124		POTS3324BD		POTS2121		—	—
POTS2424		POTS3624BD		POTS2421		POTS3621BD	

**POTS/CSPOTSCS - Pull-Out Trays Single - Double Opening**



Custom Size Ranges  
Width: 30"– 48"  
Height: 34-1/2"  
Depth: 21", 24"

- No corner cleats included.
- Designed to be used when additional trays are needed within a POT system two openings wide.

24" Deep	Price	24" Deep w/Butt Doors	Price	21" Deep	Price	21" Deep w/Butt Doors	Price
POTS3024		—	—	POTS3021		—	—
POTS3324		—	—	—	—	—	—
POTS3624		—	—	POTS3621		—	—
POTS3924		—	—	—	—	—	—
POTS4224		—	—	—	—	—	—
POTS4524		—	—	—	—	—	—
POTS4824		—	—	—	—	—	—


**Options Key:** D=Number of Doors DF=Number of Drawer Fronts DB=Drawer Boxes EXT=Extended Stiles EXP=Exposed End(s)  
FL=Flush End(s) WS=Solid Wood Shelves MI=Matching Interior FT=Flush Toe


**Moulding Pricing and Availability (All pricing per 8 ft. piece)**

Design and Profile	Size	Cherry	Maple, Hard	Maple, Soft	Oak, Red
Crown 6 <b>R</b>	2-9/16"				
Crown 24 <b>R</b>	4-5/16"				
Crown 33 <b>R</b>	1-9/16"				
Crown 619 <b>R</b>	3-3/8"				
Large Cove 1524 <b>R</b>	3-13/16"				
Crown 2324	3-7/8"				
Crown 2325	5-1/2"				
Crown 801 w/mounting plate <b>R</b>	3-9/16"				
Shaker Crown 1126 w/mounting plate <b>R</b>	3-5/8"				
Light Rail B11 <b>R</b>	1-1/2"				
Light Rail 2380 w/mounting plate	1-3/4"				
Batten 13 <b>R</b>	1-1/4"				
Scribe 14 <b>R</b>	1-1/4"				
Inside Corner Cove 11 <b>R</b>	3/4"				
Outside Corner 12	3/4"				
Colonial Base 10 <b>R</b>	4-1/2"				
Beaded Base 381 <b>R</b>	4-1/2"				
Beaded Panel B09	3-1/4"				

- Size is nominal. Actual 8 foot length is between 94" and 97".
- 12 ft. mouldings available in select profiles and species. See section 9 of the Custom Product Manual for availability and pricing.
- Maximum stock order per specific profile and specie is 25 pieces. Additional pieces take 10 days.
- When ordering dual-side profile products, specify "Face Side A" or "Face Side B".
- 8 foot mouldings can be ordered finished "Face Only" or finished "Face and Back". See section 9 of the Custom Product Manual for pricing details.
- See the Moulding section of the Custom Product Manual for additional moulding selections and pricing.

**Key**

 Non-stock item  
10 day lead-time.

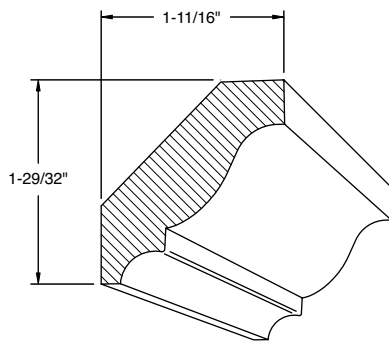
 Stock item—3 day lead-time/2 day red expedite (20% upcharge).

**R** See Radius Products section of Custom Manual for additional information.

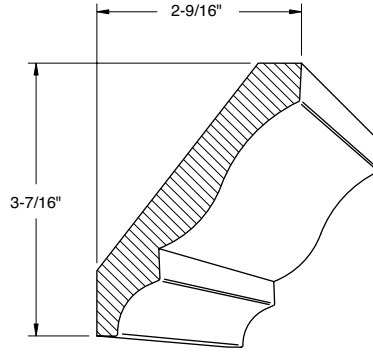
**Options Key:** **D**=Number of Doors **DF**=Number of Drawer Fronts **DB**=Drawer Boxes **EXT**=Extended Stiles **EXP**=Exposed End(s)  
**FL**=Flush End(s) **WS**=Solid Wood Shelves **MI**=Matching Interior **FT**=Flush Toe



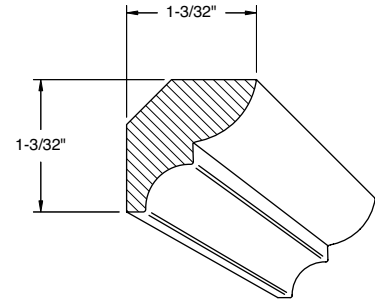
**Crown Mouldings**



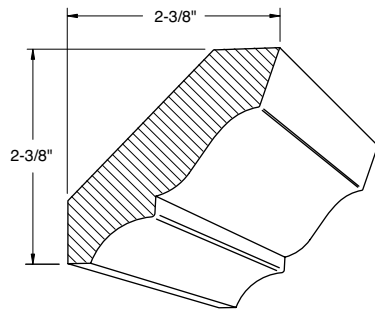
**Crown 6**



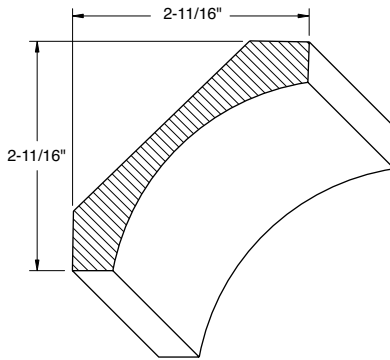
**Crown 24**



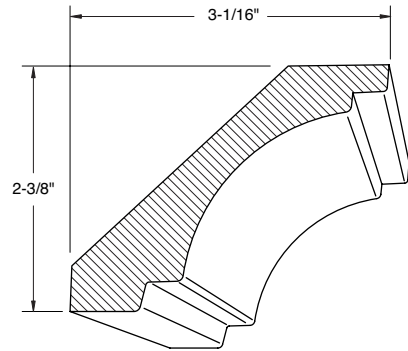
**Crown 33**



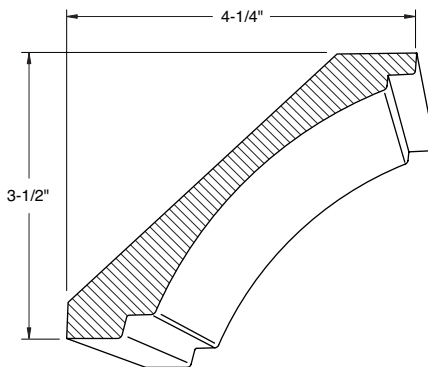
**Crown 619**



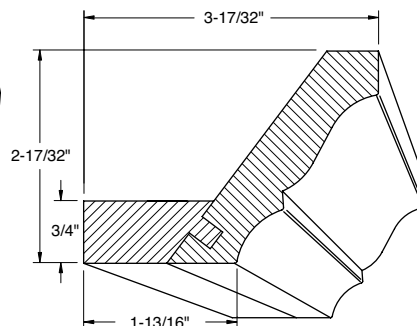
**Large Cove 1524**



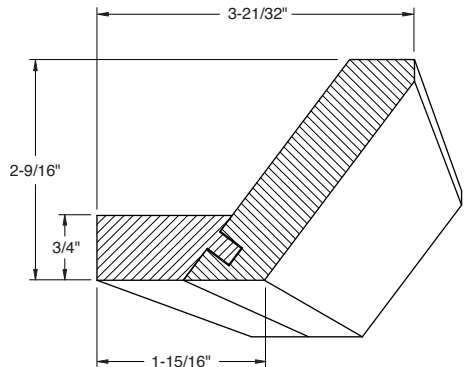
**Crown 2324**



**Crown 2325**



**Crown 801  
w/mounting plate**



**Shaker Crown 1126  
w/mounting plate**

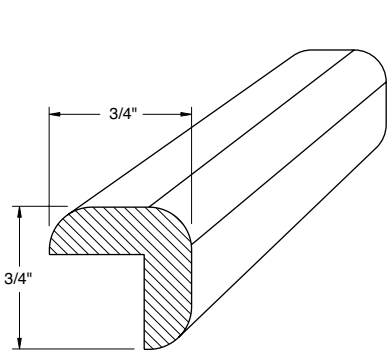
Note: Drawings not to scale.

See the Moulding section of the Custom Product Manual for additional moulding selections and pricing.

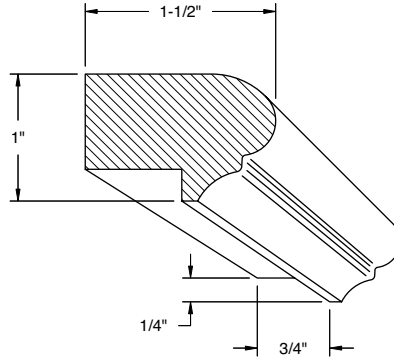
**Options Key:** D=Number of Doors DF=Number of Drawer Fronts DB=Drawer Boxes EXT=Extended Stiles EXP=Exposed End(s)  
FL=Flush End(s) WS=Solid Wood Shelves MI=Matching Interior FT=Flush Toe



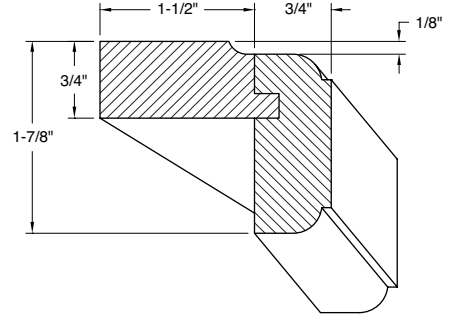
**Crown Mouldings**



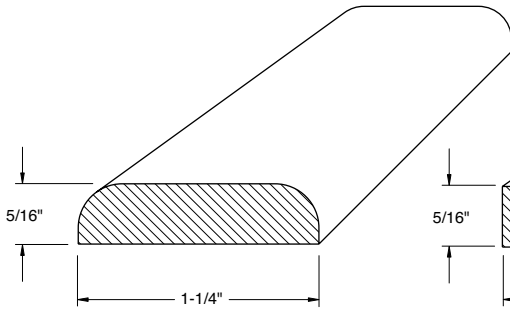
**Outside Corner 12**



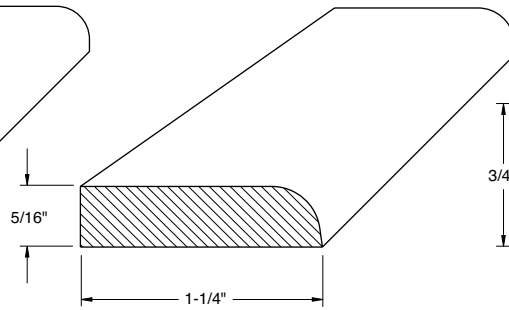
**Light Rail B11**



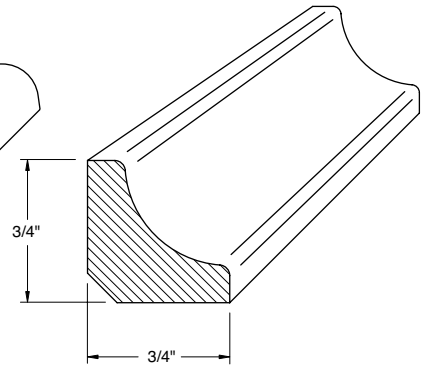
**Light Rail 2380†  
 w/mounting plate**



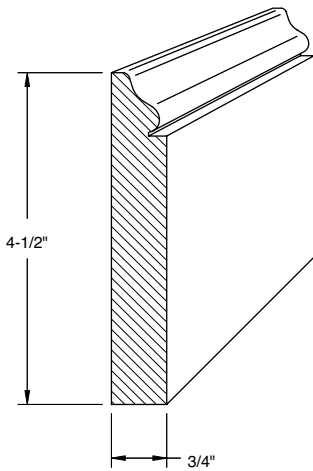
**Batten 13**



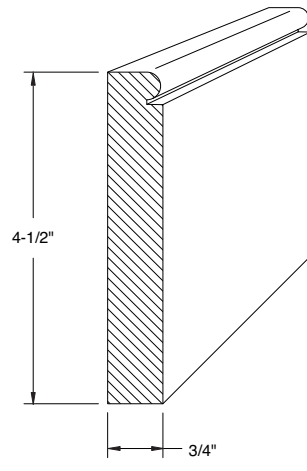
**Scribe 14**



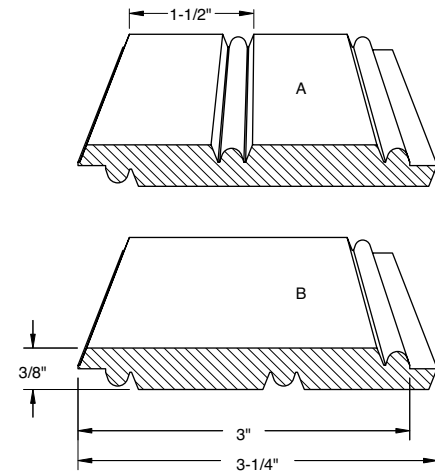
**Cove 11**



**Colonial Base 10**



**Beaded Base 381**



**Beaded Panel B09**

When ordering prefinished product, specify "Finish side A" or "Finish side B."  
 When ordering dual side profile product, specify "Face side A" or "Face side B".

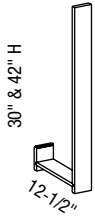
† Light Rail 2380 is manufactured with matching specie mounting plate. Option to choose edge profile to be applied to top and bottom. See the Moulding section of the Custom Product Manual for additional moulding selections and pricing.

Note: Drawings not to scale.

**Options Key:** D=Number of Doors DF=Number of Drawer Fronts DB=Drawer Boxes EXT=Extended Stiles EXP=Exposed End(s)  
 FL=Flush End(s) WS=Solid Wood Shelves MI=Matching Interior FT=Flush Toe



**FS/CSFSW - Filler Strip (Wall)**



Cabinet Code	Price
FS0330	
FS0630	
FS0342	
FS0642	

Custom Size Ranges  
Width: 3" & 6"  
Height: 12"– 65"  
Depth: 5-1/2"– 27"

- Solid wood front strip.

**FS/CSFSB - Filler Strip (Base)**



Cabinet Code	Price
FS0334.5	
FS0634.5	
FS0384	
FS0684	
FS0396	
FS0696	

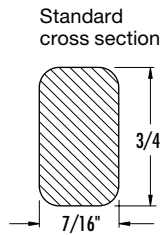
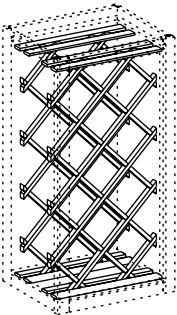
Custom Size Ranges  
Width: 3" & 6"  
Height: 31-1/2"– 96"  
Depth: 4"

- Solid wood front strip.

**Plywood Panel Program**

- See Specialty Products section of the Custom Product Manual for thickness and specie options.
- To calculate 1/4" thick end skin sizes for most cabinets: width = cabinet depth – 3/4", length = cabinet height.

**WLK - Wall Lattice Kits**



- Available in Cherry, Hard Maple and Red Oak only.
- Kit includes 2 pieces of lattice and 8 pieces of retainer moulding to secure rack in place.
- Order cabinet with matching specie interior.
- See chart for size availability.
- Available with standard lattice wine rack profile only.

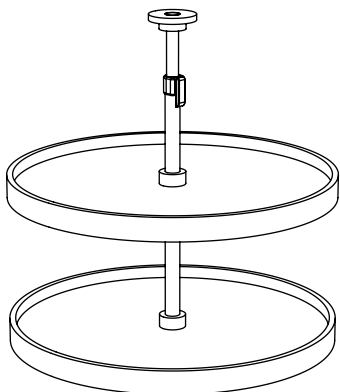
Kit Code	Sized For Cabinet	Number of Openings	Price	Kit Code	Sized for Cabinet	Number of Openings	Price
WLK3015	W3015	11		WLK1536	W1536	14	
WLK3615	W3615	14		WLK1836	W1836	14	
WLK3018	W3018	11		WLK2136	W2136	22	
WLK3618	W3618	14		WLK1542	W1542	17	
WLK1530	W1530	11		WLK1842	W1842	17	
WLK1830	W1830	11		WLK2142	W2142	27	
WLK2130	W2130	17		—	—	—	—

**Options Key:** D=Number of Doors DF=Number of Drawer Fronts DB=Drawer Boxes EXT=Extended Stiles EXP=Exposed End(s)  
FL=Flush End(s) WS=Solid Wood Shelves MI=Matching Interior FT=Flush Toe



**Standard Lazy Susan Shelves**

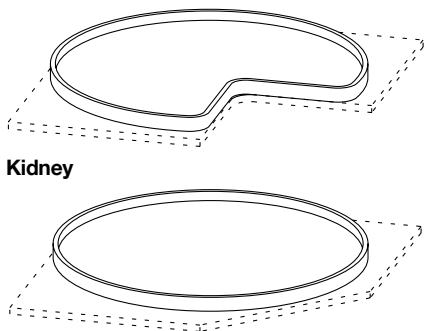
- Entry level plastic susan with two independently rotating shelves mounted on a center pole.
- Shelves feature self lubricating nylon bearing and tool free height adjustment.
- When standard lazy susan shelves are ordered, cabinet interior shelves are automatically omitted.
- See individual cabinet sections for standard lazy susan upgrade pricing.



Part No.	Sized for Cabinet	Description
2100009	WCS/CSWCSE WCA/CSWCA TTWCSE/CSTTWCE	18" Full Round
2100010	BCFD/CSBCFD	32" Full Round
2100011	BLS/CSBLS	32" Kidney
2100012	BLS30/CSBLS30	24" Kidney

**Wood Lazy Susan Shelves**

- Wood susans are designed to be installed onto adjustable shelves or cabinet floors.
- Pricing includes susan and mounting ring bearing only, cabinet shelves not included.
- No center pole is required.
- Sold individually and packaged with a center mounted ring bearing.
- All susans are prefinished with clear topcoat; unfinished units are not available.



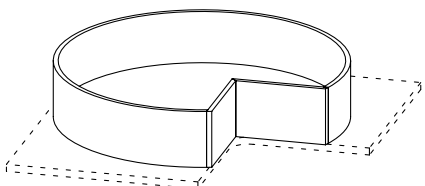
Kidney

Full Round

- 1/2" thick Maple plywood with a 1-1/2" high laminated edge.

Part No.	Sized for Cabinet	Description	Price
2100050A	BLS3634.5N	32" Kidney-Wood Lazy Susan	
2100051A	BCFD3634.5N	32" Full Round-Wood Lazy Susan	
2100053A	WCA/WCS	18" Full Round-Wood Lazy Susan	

**Deep Wood Lazy Susan Shelf**



Kidney

- 1/2" thick Maple plywood with a 6" high laminated edge.
- Note: Shelf diameter, profile and contour do not match standard wood kidney listed above.

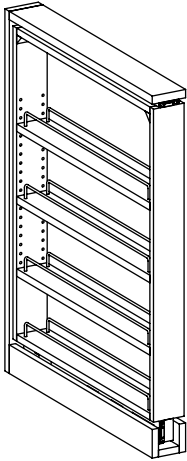
Part No.	Sized for Cabinet	Description	Price
2100032A	BLS3634.5N	30" Kidney-Wood Lazy Susan	

**Options Key:** D=Number of Doors DF=Number of Drawer Fronts DB=Drawer Boxes EXT=Extended Stiles EXP=Exposed End(s)  
 FL=Flush End(s) WS=Solid Wood Shelves MI=Matching Interior FT=Flush Toe



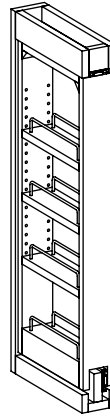


**Pull-Out Storage Units**



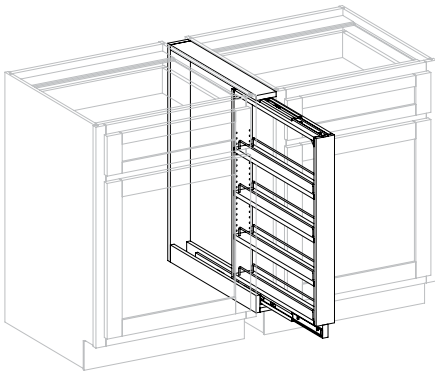
**Base Units**

- All base storage units 23" deep and 30" high



**Wall Units**

- Available in 30", 36" and 42" high
- All wall storage units 11-1/8" deep



**Pull-out Storage Unit Installed**

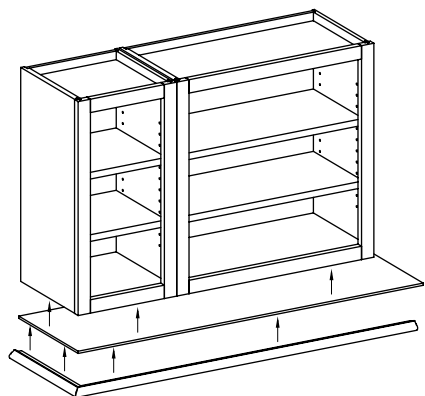
- Mount pull-out storage units to adjacent cabinets

- Pull-out storage units are designed for 3" or 6" spaces between cabinets and can be accessed from both sides.
- Storage units are fully assembled and packaged with installation instructions.
- Wall and base storage units include adjustable shelves with chrome rails and full-extension ball-bearing sides.
- Prefinished Natural Birch only; unfinished units are not available.
- Drawer fronts and overlay fillers are not included and must be ordered separately.

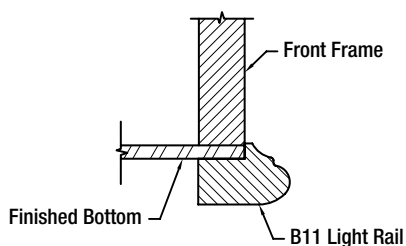
Part No.	Description	Price
2100750A	3" Base Pull-out Storage Unit	
2100751A	6" Base Pull-out Storage Unit	
2100752A	3" Wall Pull-out Storage Unit - 30" High	
2100753A	6" Wall Pull-out Storage Unit - 30" High	
2100754A	3" Wall Pull-out Storage Unit - 36" High	
2100755A	6" Wall Pull-out Storage Unit - 36" High	
2100756A	3" Wall Pull-out Storage Unit - 42" High	
2100757A	6" Wall Pull-out Storage Unit - 42" High	



**Finished Bottom Panels for Wall Cabinets**



- 1/4" plywood strips in Cherry, Hard Maple and Red Oak are available in common wall depths x 96" long.
- Diagonal corner wall panels are available for WCS and WCD cabinets.
- When attached to the underside of wall cabinets, these panels provide flush finished bottoms.
- Use B11 light rail to cover exposed plywood edges.
- For best results attaching B11 at end of run applications, order flush ends (Advantage Line Only).



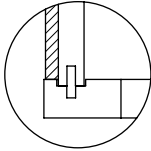
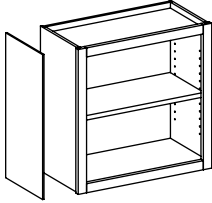
Panel Size/Design	Template No.	Cherry	Hard Maple	Red Oak
96" x 12-1/2"	TB5009			
96" x 15-1/2"				
96" x 18"				
96" x 21"				
96" x 24"				
Corner panel 24" x 24"	TB5010			
Corner panel 27" x 27"				

8 Ft. B11 Light Rail for Finished Bottom Panels		
Cherry	Hard Maple	Red Oak

**Options Key:** D=Number of Doors DF=Number of Drawer Fronts DB=Drawer Boxes EXT=Extended Stiles EXP=Exposed End(s)  
 FL=Flush End(s) WS=Solid Wood Shelves MI=Matching Interior FT=Flush Toe



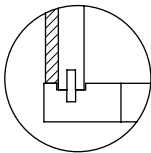
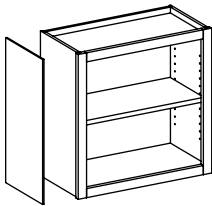
**End Skins - Program Species**



- Use endskins when exposed or flush ends are necessary.
- Endskins are 1/4" thick on veneer core with sound backs. Face species are Plain Sliced B grade veneers.
- Endskins are available finished or unfinished and will be sent separately from the cabinets. See Section 12, Finishing Program for offering and availability.
- When installed, 1/4" endskins provide a nearly flush end and need to be installed using adhesive.
- To calculate end skins for most cabinets: width = cabinet depth – 3/4"  
length = overall cabinet

1/4" Endskins - Program Species		
Specie	Material Charge (per sq. Ft.)	Design Charge
Cherry		
Hard Maple		
Red Oak		

**Non-standard Specie Option for Cabinet Systems**



- Species other than the standard program (Cherry, Hard Maple, Soft Maple and Red Oak) are available using custom specie front frames, and precut matching specie endskins for cabinet sides.
- Endskins are 1/4" thick on MDF core with same specie on face and back. Most species are Plain Sliced A faces with 1 backs except Red and White Birch which are rotary cut face and back.
- Endskins are available finished or unfinished and will be sent separately from the cabinets. See Section 9, Solid Wood Finishing in the Custom Product Manual for offering and availability.
- When installed, 1/4" endskins provide a nearly flush end and need to be installed using adhesive.
- Matching specie interior components are not available for non-standard species.
- Conestoga's online software will calculate precut end skins for visible cabinet ends based on the cabinet size. Specify left, right or both sides that require endskins.

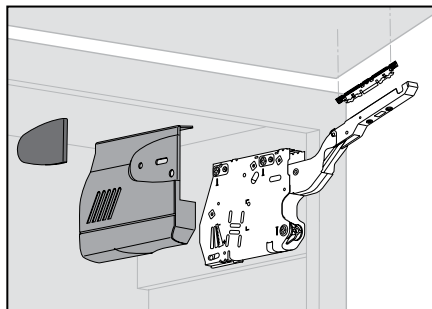
1/4" Endskins for Non-Standard Cabinet Systems Species		
Specie	Material Charge (per sq. Ft.)	Design Charge
Alder		
Birch, Red		
Birch White		
Caramelized Bamboo		
MDF* (Raw)		
Hickory		
Knotty Pine**		
Quarter Sawn Red Oak		
Quarter Sawn White Oak		
White Oak (Plain Sliced)		
Walnut		

\*MDF end skins are for painted applications. Face frames are not available in MDF and a specie and grade must be specified.

\*\*Custom face frames are not available in Knotty Pine. Frames are constructed using Clear Pine.



**Blum AVENTOS HK Lift System Hardware**



- Blum's AVENTOS HK hardware kits provide lift up access on select wall and tall cabinets.
- Available with single wide doors on cabinets up to 36" wide.
- Four AVENTOS kits provide all the necessary hardware to install lift up door access for wall cabinets.
- Kits are designed to accommodate different door design types, weights and overlay options.
- Each kit includes left and right lift mechanisms, cover caps and a separate pair of mounting hardware for framed or frameless cabinet construction.
- All AVENTOS mechanisms have an integrated BLUMOTION soft close feature.
- To determine which AVENTOS kit is suited for your particular application use the following resources:
  - ♦ A link to Blum Hardware's AVENTOS Lift System Calculator is provided on Conestoga's Customer Business Portal under the Marketing Resources tab. Use this tool to calculate the weight of your door.
  - ♦ After you have determined the weight of the door, calculate the Blum Power Factor required to adequately lift the door as follows:  

$$\text{Door Weight} + (\text{Handle/Pull Weight} \times 2) = \text{Subtotal} \times \text{Door Height} = \text{Power Factor}$$

**AVENTOS HK Reference Chart**

Power Factor	HK Kit Series	Part No.	Price
43 – 99	2300	2100350	
100 – 174	2500	2100351	
175 – 349	2700	2100352	
350 – 792	2900	2100353	

**AVENTOS Accessory Items**

Description	Blum Part No.	Part No.	Price
Mounting Hardware Set	20S4200A	2100354	
Restriction Clip	20K7041	2100355	
Restriction Clip	20K7011	2100356	

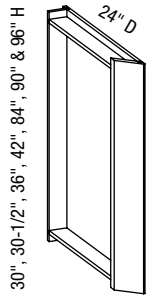
**Specie & Door Design Weight (approx. weight of 1 sq. ft. 3/4" thick door)**

Specie (all grades)	Slab Design	TW-series Design	CRP-series Design	Frame Only
Cherry	2 lb. 12 oz.	1 lb. 6 oz.	2 lb.	1 lb. 11 oz.
Hard Maple	2 lb. 12 oz.	1 lb. 11 oz.	2 lb.	
Red Oak	3 lb. 3 oz.	1 lb. 15 oz.	2 lb. 11 oz.	

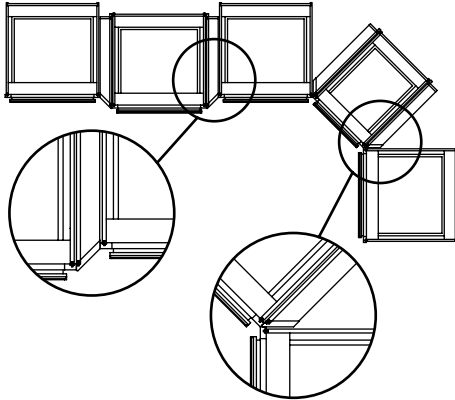
**Options Key:** D=Number of Doors DF=Number of Drawer Fronts DB=Drawer Boxes EXT=Extended Stiles EXP=Exposed End(s)  
 FL=Flush End(s) WS=Solid Wood Shelves MI=Matching Interior FT=Flush Toe



**Z AFL(R) CSZ AFL(R) - Zero Angle Filler Left (or Right)**



Custom Size Ranges  
Width: 3" fixed  
Height: 12" – 120"  
Depth: 12-1/2" – 24"



D	DF	DB	EXT	EXP	FL	WS	MI	FT
				✓				

- Advantage Line Only.
- Designed to turn 135° corners with standard cabinets or to facilitate break front designs.
- No toe kick; use 30-1/2" high unit for standard base applications with toe kicks or specify CS unit at 34-1/2" high when flush toe is required.
- Non-fluted face is standard; 3 flutes spaced evenly on angled face are optional. Specify tapered or rounded flutes. If not specified, flutes will be produced using the tapered design.
- Flute spacing (No option):
  - ZAF heights 30" – 42" have 2" spacing top and bottom.
  - ZAF heights 84" – 90" have 2" top spacing – specify 2" or 6" bottom spacing.

Cabinet Code	Price	Cabinet Code	Price	Cabinet Code	Price	Cabinet Code	Price
Z AFL0330		Z AFL0336		Z AFL0384		Z AFL0396	
Z AFR0330		Z AFR0336		Z AFR0384		Z AFR0396	
Z AFL0330.5		Z AFL0342		Z AFL0390			
Z AFR0330.5		Z AFR0342		Z AFR0390			

**Options Key:** D=Number of Doors DF=Number of Drawer Fronts DB=Drawer Boxes EXT=Extended Stiles EXP=Exposed End(s)  
FL=Flush End(s) WS=Solid Wood Shelves MI=Matching Interior FT=Flush Toe