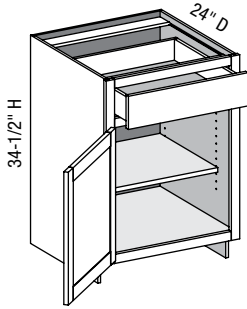




**B/CSB - Base**



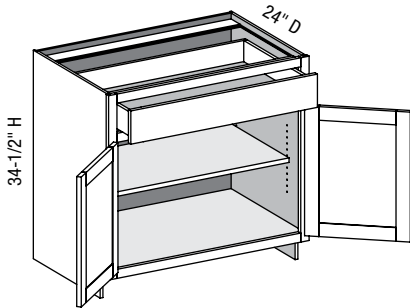
Custom Size Ranges  
Width: 9"– 24"  
Height: 31-1/2"– 42"  
Depth: 12", 15", 18", 21",  
24", 27", 30"

| D | DF | DB | EXT | EXP | FL | WS | MI | FT |
|---|----|----|-----|-----|----|----|----|----|
| 1 | 1  | 1  | ✓   | ✓   | ✓  | ✓  | ✓  | ✓  |

- When height changes, lower opening height changes. Drawer opening height fixed at 5".
- Specify single or butt doors on cabinets 24" wide.
- 12", 15", 27" and 30" cabinet depths are available with TANDEM slides only.

| Cabinet Code | Advantage |                   |                 |       | Essence | Doors |      |        | Drawer Fronts |      |        |
|--------------|-----------|-------------------|-----------------|-------|---------|-------|------|--------|---------------|------|--------|
|              | Price     | Exposed End (ea.) | Flush End (ea.) | Shelf | Price   | Inset | 1/2" | 1-1/4" | Inset         | 1/2" | 1-1/4" |
| B1234.5      |           |                   |                 |       |         | 1.3   | 1.5  | 1.9    | 0.3           | 0.4  | 0.5    |
| B1534.5      |           |                   |                 |       |         | 1.7   | 2.0  | 2.3    | 0.4           | 0.5  | 0.6    |
| B1834.5      |           |                   |                 |       |         | 2.1   | 2.4  | 2.8    | 0.5           | 0.7  | 0.8    |
| B2134.5      |           |                   |                 |       |         | 2.6   | 2.9  | 3.3    | 0.6           | 0.8  | 0.9    |
| B2434.5      |           |                   |                 |       |         | 3.0   | 3.4  | 3.8    | 0.7           | 0.9  | 1.0    |

**B/CSB - Base w/Butt Doors**



Custom Size Ranges  
Width: 24"– 36"  
Height: 31-1/2"– 42"  
Depth: 12", 15", 18", 21",  
24", 27", 30"

| D | DF | DB | EXT | EXP | FL | WS | MI | FT |
|---|----|----|-----|-----|----|----|----|----|
| 2 | 1  | 1  | ✓   | ✓   | ✓  | ✓  | ✓  | ✓  |

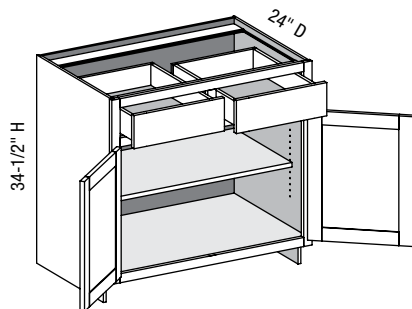
- When height changes, lower opening height changes. Drawer opening height fixed at 5".
- Specify single or butt doors on cabinets 24" wide.
- 12", 15", 27" and 30" cabinet depths are available with TANDEM slides only.

| Cabinet Code | Advantage |                   |                 |       | Essence | Doors |      |        | Drawer Fronts |      |        |
|--------------|-----------|-------------------|-----------------|-------|---------|-------|------|--------|---------------|------|--------|
|              | Price     | Exposed End (ea.) | Flush End (ea.) | Shelf | Price   | Inset | 1/2" | 1-1/4" | Inset         | 1/2" | 1-1/4" |
| B2434.5BD    |           |                   |                 |       |         | 3.0   | 3.3  | 3.8    | 0.7           | 0.9  | 1.0    |
| B2734.5BD    |           |                   |                 |       |         | 3.4   | 3.8  | 4.3    | 0.8           | 1.0  | 1.2    |
| B3034.5BD    |           |                   |                 |       |         | 3.8   | 4.3  | 4.7    | 0.9           | 1.2  | 1.3    |
| B3334.5BD    |           |                   |                 |       |         | 4.3   | 4.7  | 5.2    | 1.0           | 1.3  | 1.4    |
| B3634.5BD    |           |                   |                 |       |         | 4.7   | 5.2  | 5.7    | 1.1           | 1.4  | 1.5    |

**Options Key:** D=Number of Doors DF=Number of Drawer Fronts DB=Drawer Boxes EXT=Extended Stiles EXP=Exposed End(s)  
FL=Flush End(s) WS=Solid Wood Shelves MI=Matching Interior FT=Flush Toe



**B/CSBBD2D - Base Butt Door Two Drawer**



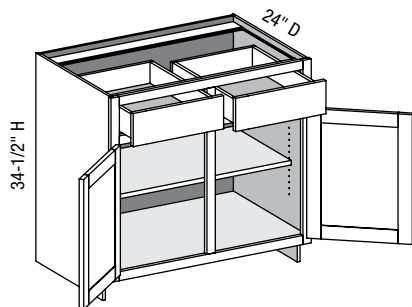
Custom Size Ranges  
 Width: 30"– 36"  
 Height: 31-1/2"– 42"  
 Depth: 12", 15", 18", 21",  
 24", 27", 30"

| D | DF | DB | EXT | EXP | FL | WS | MI | FT |
|---|----|----|-----|-----|----|----|----|----|
| 2 | 2  | 2  | ✓   | ✓   | ✓  | ✓  | ✓  | ✓  |

- When height changes, lower opening height changes. Drawer opening height fixed at 5".
- 12", 15", 27" and 30" cabinet depths are available with TANDEM slides only.

| Cabinet Code | Advantage |                   |                 |       | Essence | Doors |       |      | Drawer Fronts |       |      |
|--------------|-----------|-------------------|-----------------|-------|---------|-------|-------|------|---------------|-------|------|
|              | Price     | Exposed End (ea.) | Flush End (ea.) | Shelf |         | Price | Inset | 1/2" | 1-1/4"        | Inset | 1/2" |
| B3034.5BD2D  |           |                   |                 |       |         | 3.8   | 4.3   | 4.7  | 0.8           | 1.1   | 1.3  |
| B3334.5BD2D  |           |                   |                 |       |         | 4.3   | 4.7   | 5.2  | 0.9           | 1.3   | 1.4  |
| B3634.5BD2D  |           |                   |                 |       |         | 4.7   | 5.2   | 5.7  | 1.0           | 1.4   | 1.5  |

**B/CSB2D2D - Base Two Door Two Drawer**



Custom Size Ranges  
 Width: 30"– 48"  
 Height: 31-1/2"– 42"  
 Depth: 12", 15", 18", 21",  
 24", 27", 30"

| D | DF | DB | EXT | EXP | FL | WS | MI | FT |
|---|----|----|-----|-----|----|----|----|----|
| 2 | 2  | 2  | ✓   | ✓   | ✓  | ✓  | ✓  | ✓  |

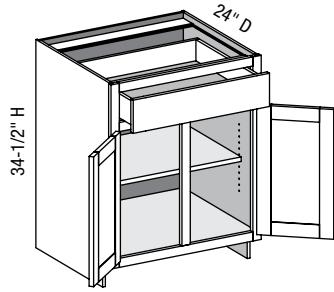
- When height changes, lower opening height changes. Drawer opening height fixed at 5".
- 12", 15", 27" and 30" cabinet depths are available with TANDEM slides only.

| Cabinet Code | Advantage |                   |                 |       | Essence | Doors |       |      | Drawer Fronts |       |      |
|--------------|-----------|-------------------|-----------------|-------|---------|-------|-------|------|---------------|-------|------|
|              | Price     | Exposed End (ea.) | Flush End (ea.) | Shelf |         | Price | Inset | 1/2" | 1-1/4"        | Inset | 1/2" |
| B3034.5      |           |                   |                 |       |         | 3.6   | 4.2   | 4.7  | 0.8           | 1.1   | 1.3  |
| B3334.5      |           |                   |                 |       |         | 4.1   | 4.7   | 5.2  | 0.9           | 1.3   | 1.4  |
| B3634.5      |           |                   |                 |       |         | 4.5   | 5.1   | 5.7  | 1.0           | 1.4   | 1.5  |
| B3934.5      |           |                   |                 |       |         | 4.9   | 5.6   | 6.1  | 1.1           | 1.5   | 1.6  |
| B4234.5      |           |                   |                 |       |         | 5.4   | 6.0   | 6.6  | 1.2           | 1.6   | 1.8  |
| B4534.5      |           |                   |                 |       |         | 5.8   | 6.5   | 7.1  | 1.3           | 1.8   | 1.9  |
| B4834.5      |           |                   |                 |       |         | 6.2   | 7.0   | 7.6  | 1.4           | 1.9   | 2.0  |

**Options Key:** D=Number of Doors DF=Number of Drawer Fronts DB=Drawer Boxes EXT=Extended Stiles EXP=Exposed End(s)  
 FL=Flush End(s) WS=Solid Wood Shelves MI=Matching Interior FT=Flush Toe



**B/CSB2D1D - Base Two Door One Drawer**



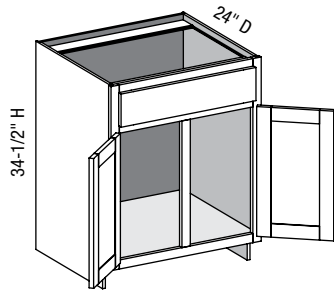
Custom Size Ranges  
Width: 27"– 36"  
Height: 31-1/2"– 42"  
Depth: 12", 15", 18", 21",  
24", 27", 30"

| D | DF | DB | EXT | EXP | FL | WS | MI | FT |
|---|----|----|-----|-----|----|----|----|----|
| 2 | 1  | 1  | ✓   | ✓   | ✓  | ✓  | ✓  | ✓  |

- When height changes, lower opening height changes. Drawer opening height fixed at 5".
- 12", 15", 27" and 30" cabinet depths are available with TANDEM slides only.

| Cabinet Code | Advantage |                   |                 |       | Essence | Doors |      |        | Drawer Fronts |      |        |
|--------------|-----------|-------------------|-----------------|-------|---------|-------|------|--------|---------------|------|--------|
|              | Price     | Exposed End (ea.) | Flush End (ea.) | Shelf | Price   | Inset | 1/2" | 1-1/4" | Inset         | 1/2" | 1-1/4" |
| B2734.5      |           |                   |                 |       |         | 3.2   | 3.7  | 4.2    | 0.8           | 1.0  | 1.2    |

**BS/CSBS2D1D - Base Sink Two Door One Drawer**



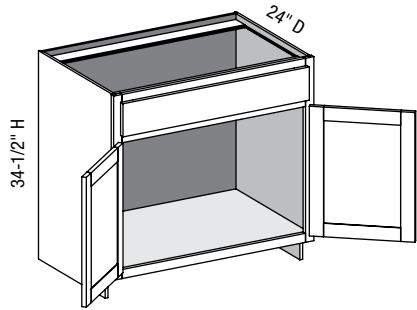
Custom Size Ranges  
Width: 27"– 36"  
Height: 31-1/2"– 42"  
Depth: 18"– 30"

| D | DF | DB | EXT | EXP | FL | WS | MI | FT |
|---|----|----|-----|-----|----|----|----|----|
| 2 | 1  |    | ✓   | ✓   | ✓  |    | ✓  | ✓  |

- False drawer.
- No drawer boxes, shelf support holes or shelf with sink units.
- When height changes, lower opening height changes. Drawer opening height fixed at 5".

| Cabinet Code | Advantage |                   |                 |       | Essence | Doors |      |        | Drawer Fronts |      |        |
|--------------|-----------|-------------------|-----------------|-------|---------|-------|------|--------|---------------|------|--------|
|              | Price     | Exposed End (ea.) | Flush End (ea.) | Shelf | Price   | Inset | 1/2" | 1-1/4" | Inset         | 1/2" | 1-1/4" |
| BS2734.5     |           |                   |                 | —     |         | 3.2   | 3.7  | 4.2    | 0.8           | 1.0  | 1.2    |

**BS/CSBS - Base Sink w/Butt Doors**



Custom Size Ranges  
Width: 24"– 36"  
Height: 31-1/2"– 42"  
Depth: 12", 15", 18", 21",  
24", 27", 30"

| D | DF | DB | EXT | EXP | FL | WS | MI | FT |
|---|----|----|-----|-----|----|----|----|----|
| 2 | 1  |    | ✓   | ✓   | ✓  |    | ✓  | ✓  |

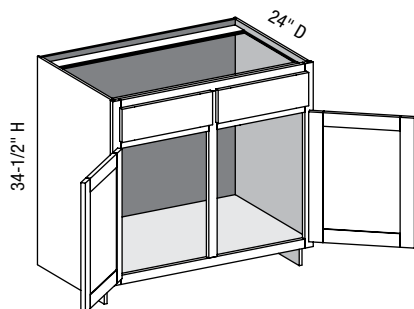
- False drawer.
- No drawer boxes, shelf support holes or shelf with sink units.
- When height changes, lower opening height changes. Drawer opening height fixed at 5".
- Specify single or butt doors on cabinets 24" wide.

| Cabinet Code | Advantage |                   |                 |       | Essence | Doors |      |        | Drawer Fronts |      |        |
|--------------|-----------|-------------------|-----------------|-------|---------|-------|------|--------|---------------|------|--------|
|              | Price     | Exposed End (ea.) | Flush End (ea.) | Shelf | Price   | Inset | 1/2" | 1-1/4" | Inset         | 1/2" | 1-1/4" |
| BS2434.5BD   |           |                   |                 | —     |         | 3.0   | 3.3  | 3.8    | 0.7           | 0.9  | 1.0    |
| BS2734.5BD   |           |                   |                 | —     |         | 3.4   | 3.8  | 4.3    | 0.8           | 1.0  | 1.2    |
| BS3034.5BD   |           |                   |                 | —     |         | 3.8   | 4.3  | 4.7    | 0.9           | 1.2  | 1.3    |
| BS3334.5BD   |           |                   |                 | —     |         | 4.3   | 4.7  | 5.2    | 1.0           | 1.3  | 1.4    |
| BS3634.5BD   |           |                   |                 | —     |         | 4.7   | 5.2  | 5.7    | 1.1           | 1.4  | 1.5    |

**Options Key:** D=Number of Doors DF=Number of Drawer Fronts DB=Drawer Boxes EXT=Extended Stiles EXP=Exposed End(s)  
FL=Flush End(s) WS=Solid Wood Shelves MI=Matching Interior FT=Flush Toe



**BS/CSBS2D2D - Base Sink Two Door Two Drawer**



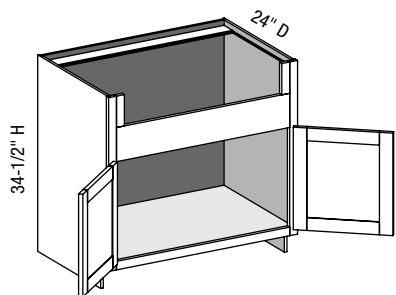
Custom Size Ranges  
 Width: 30"– 48"  
 Height: 31-1/2"– 42"  
 Depth: 18"– 30"

| D | DF | DB | EXT | EXP | FL | WS | MI | FT |
|---|----|----|-----|-----|----|----|----|----|
| 2 | 2  |    | ✓   | ✓   | ✓  |    | ✓  | ✓  |

- Two false drawers.
- No drawer boxes, shelf support holes or shelf with sink units.
- When height changes, lower opening height changes. Drawer opening height fixed at 5".
- Specify single or butt doors on cabinets 24" wide.

| Cabinet Code | Advantage |                   |                 |       | Essence | Doors |      |        | Drawer Fronts |      |        |
|--------------|-----------|-------------------|-----------------|-------|---------|-------|------|--------|---------------|------|--------|
|              | Price     | Exposed End (ea.) | Flush End (ea.) | Shelf | Price   | Inset | 1/2" | 1-1/4" | Inset         | 1/2" | 1-1/4" |
| BS3034.5     |           |                   |                 | —     |         | 3.6   | 4.2  | 4.7    | 0.8           | 1.1  | 1.3    |
| BS3334.5     |           |                   |                 | —     |         | 4.1   | 4.7  | 5.2    | 0.9           | 1.3  | 1.4    |
| BS3634.5     |           |                   |                 | —     |         | 4.5   | 5.1  | 5.7    | 1.0           | 1.4  | 1.5    |
| BS3934.5     |           |                   |                 | —     |         | 4.9   | 5.6  | 6.1    | 1.1           | 1.5  | 1.6    |
| BS4234.5     |           |                   |                 | —     |         | 5.4   | 6.0  | 6.6    | 1.2           | 1.6  | 1.8    |
| BS4534.5     |           |                   |                 | —     |         | 5.8   | 6.5  | 7.1    | 1.3           | 1.8  | 1.9    |
| BS4834.5     |           |                   |                 | —     |         | 6.2   | 7.0  | 7.6    | 1.4           | 1.9  | 2.0    |

**ASB/CSASB - Apron Sink Base w/Butt Doors**



Custom Size Ranges  
 Width: 24"– 36"  
 Height: 31-1/2"– 42"  
 Depth: 18"– 30"

| D | DF | DB | EXT | EXP | FL | WS | MI | FT |
|---|----|----|-----|-----|----|----|----|----|
| 2 |    |    | ✓   | ✓   | ✓  |    | ✓  | ✓  |

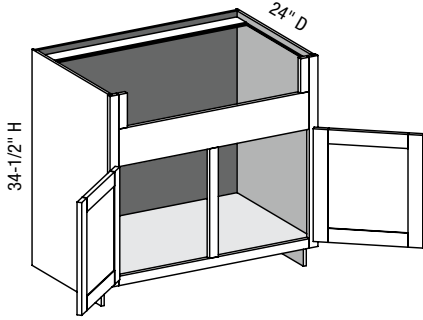
- Sink bowl opening is 5-1/2" high, width is 6" less than cabinet width.
- Sink opening is trimmable to 4-1/2" in height and 3" in width.
- 6" middle rail.
- No shelf with sink units.
- When height changes, lower opening height changes.
- No shelf support holes.

| Cabinet Code | Advantage |                   |                 |       | Essence | Doors |      |        | Drawer Fronts |      |        |
|--------------|-----------|-------------------|-----------------|-------|---------|-------|------|--------|---------------|------|--------|
|              | Price     | Exposed End (ea.) | Flush End (ea.) | Shelf | Price   | Inset | 1/2" | 1-1/4" | Inset         | 1/2" | 1-1/4" |
| ASB2434.5BD  |           |                   |                 | —     |         | 2.5   | 2.8  | 3.3    | —             | —    | —      |
| ASB2734.5BD  |           |                   |                 | —     |         | 2.8   | 3.2  | 3.7    | —             | —    | —      |
| ASB3034.5BD  |           |                   |                 | —     |         | 3.2   | 3.6  | 4.1    | —             | —    | —      |
| ASB3334.5BD  |           |                   |                 | —     |         | 3.6   | 4.0  | 4.6    | —             | —    | —      |
| ASB3634.5BD  |           |                   |                 | —     |         | 3.9   | 4.4  | 5.0    | —             | —    | —      |

**Options Key:** D=Number of Doors DF=Number of Drawer Fronts DB=Drawer Boxes EXT=Extended Stiles EXP=Exposed End(s)  
 FL=Flush End(s) WS=Solid Wood Shelves MI=Matching Interior FT=Flush Toe



**ASB/CSASBCS - Apron Sink Base w/Center Stile**



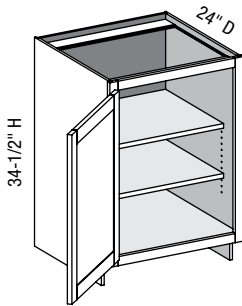
Custom Size Ranges  
Width: 27"– 48"  
Height: 31-1/2"– 42"  
Depth: 18"– 30"

| D | DF | DB | EXT | EXP | FL | WS | MI | FT |
|---|----|----|-----|-----|----|----|----|----|
| 2 |    |    | ✓   | ✓   | ✓  |    | ✓  | ✓  |

- Sink bowl opening is 5-1/2" high, width is 6" less than cabinet width.
- Sink opening is trimmable to 4-1/2" in height and 3" in width.
- 6" middle rail.
- No shelf with sink units.
- When height changes, lower opening height changes.
- No shelf support holes.

| Cabinet Code | Advantage |                   |                 |       | Essence | Doors |      |        | Drawer Fronts |      |        |
|--------------|-----------|-------------------|-----------------|-------|---------|-------|------|--------|---------------|------|--------|
|              | Price     | Exposed End (ea.) | Flush End (ea.) | Shelf | Price   | Inset | 1/2" | 1-1/4" | Inset         | 1/2" | 1-1/4" |
| ASB2734.5    |           |                   |                 | —     |         | 2.7   | 3.1  | 3.7    | —             | —    | —      |
| ASB3034.5    |           |                   |                 | —     |         | 3.0   | 3.5  | 4.1    | —             | —    | —      |
| ASB3334.5    |           |                   |                 | —     |         | 3.4   | 3.9  | 4.5    | —             | —    | —      |
| ASB3634.5    |           |                   |                 | —     |         | 3.7   | 4.3  | 4.9    | —             | —    | —      |
| ASB3934.5    |           |                   |                 | —     |         | 4.1   | 4.7  | 5.3    | —             | —    | —      |
| ASB4234.5    |           |                   |                 | —     |         | 4.5   | 5.1  | 5.8    | —             | —    | —      |
| ASB4534.5    |           |                   |                 | —     |         | 4.8   | 5.5  | 6.2    | —             | —    | —      |
| ASB4834.5    |           |                   |                 | —     |         | 5.2   | 5.8  | 6.6    | —             | —    | —      |

**BFD/CSBFD - Base Full Door**



Custom Size Ranges  
Width: 9"– 24"  
Height: 10"– 48"  
Depth: 5-1/2"– 30"

| D | DF | DB | EXT | EXP | FL | WS | MI | FT |
|---|----|----|-----|-----|----|----|----|----|
| 1 |    |    | ✓   | ✓   | ✓  | ✓  | ✓  | ✓  |

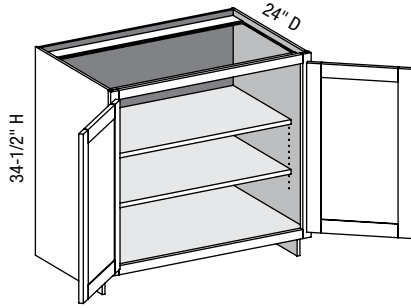
- 10"– 22" high has no shelves.
- 22-1/16"– 28" high has 1 shelf.
- 28-1/16"– 40" high has 2 shelves.
- 40-1/16"– 48" high has 3 shelves.
- Specify single or butt doors on cabinets 24" wide.
- BFD0934.5 does not get shelves.

| Cabinet Code | Advantage |                   |                 |       | Essence | Doors |      |        | Drawer Fronts |      |        |
|--------------|-----------|-------------------|-----------------|-------|---------|-------|------|--------|---------------|------|--------|
|              | Price     | Exposed End (ea.) | Flush End (ea.) | Shelf | Price   | Inset | 1/2" | 1-1/4" | Inset         | 1/2" | 1-1/4" |
| BFD0934.5    |           |                   |                 | —     |         | 1.1   | 1.4  | 1.8    | —             | —    | —      |
| BFD1234.5    |           |                   |                 | —     |         | 1.7   | 2.0  | 2.4    | —             | —    | —      |
| BFD1534.5    |           |                   |                 | —     |         | 2.2   | 2.6  | 3.0    | —             | —    | —      |
| BFD1834.5    |           |                   |                 | —     |         | 2.8   | 3.2  | 3.6    | —             | —    | —      |
| BFD2134.5    |           |                   |                 | —     |         | 3.4   | 3.8  | 4.3    | —             | —    | —      |
| BFD2434.5    |           |                   |                 | —     |         | 3.9   | 4.4  | 4.9    | —             | —    | —      |

**Options Key:** D=Number of Doors DF=Number of Drawer Fronts DB=Drawer Boxes EXT=Extended Stiles EXP=Exposed End(s)  
FL=Flush End(s) WS=Solid Wood Shelves MI=Matching Interior FT=Flush Toe



**BFD/CSBFD - Base Full Door w/Butt Doors**



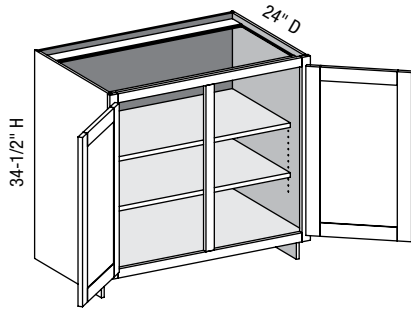
Custom Size Ranges  
 Width: 24"– 36"  
 Height: 10"– 48"  
 Depth: 5-1/2"– 30"

| D | DF | DB | EXT | EXP | FL | WS | MI | FT |
|---|----|----|-----|-----|----|----|----|----|
| 2 |    |    | ✓   | ✓   | ✓  | ✓  | ✓  | ✓  |

- 10"– 22" high has no shelves.
- 22-1/16"– 28" high has 1 shelf.
- 28-1/16"– 40" high has 2 shelves.
- 40-1/16"– 48" high has 3 shelves.
- Specify single or butt doors on cabinets 24" wide.

| Cabinet Code | Advantage |                   |                 |       | Essence | Doors |      |        | Drawer Fronts |      |        |
|--------------|-----------|-------------------|-----------------|-------|---------|-------|------|--------|---------------|------|--------|
|              | Price     | Exposed End (ea.) | Flush End (ea.) | Shelf | Price   | Inset | 1/2" | 1-1/4" | Inset         | 1/2" | 1-1/4" |
| BFD2434.5BD  |           |                   |                 |       |         | 3.9   | 4.3  | 4.9    | —             | —    | —      |
| BFD2734.5BD  |           |                   |                 |       |         | 4.5   | 4.9  | 5.5    | —             | —    | —      |
| BFD3034.5BD  |           |                   |                 |       |         | 5.0   | 5.5  | 6.1    | —             | —    | —      |
| BFD3334.5BD  |           |                   |                 |       |         | 5.6   | 6.1  | 6.7    | —             | —    | —      |
| BFD3634.5BD  |           |                   |                 |       |         | 6.2   | 6.7  | 7.4    | —             | —    | —      |

**BFD/CSBFDCS - Base Full Door w/Center Stile**



Custom Size Ranges  
 Width: 27"– 48"  
 Height: 10"– 48"  
 Depth: 5-1/2"– 30"

| D | DF | DB | EXT | EXP | FL | WS | MI | FT |
|---|----|----|-----|-----|----|----|----|----|
| 2 |    |    | ✓   | ✓   | ✓  | ✓  | ✓  | ✓  |

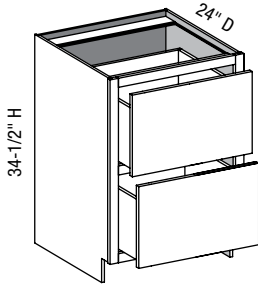
- 10"– 22" high has no shelves.
- 22-1/16"– 28" high has 1 shelf.
- 28-1/16"– 40" high has 2 shelves.
- 40-1/16"– 48" high has 3 shelves.

| Cabinet Code | Advantage |                   |                 |       | Essence | Doors |      |        | Drawer Fronts |      |        |
|--------------|-----------|-------------------|-----------------|-------|---------|-------|------|--------|---------------|------|--------|
|              | Price     | Exposed End (ea.) | Flush End (ea.) | Shelf | Price   | Inset | 1/2" | 1-1/4" | Inset         | 1/2" | 1-1/4" |
| BFD2734.5    |           |                   |                 |       |         | 4.2   | 4.8  | 5.4    | —             | —    | —      |
| BFD3034.5    |           |                   |                 |       |         | 4.8   | 5.4  | 6.0    | —             | —    | —      |
| BFD3334.5    |           |                   |                 |       |         | 5.3   | 6.0  | 6.7    | —             | —    | —      |
| BFD3634.5    |           |                   |                 |       |         | 5.9   | 6.6  | 7.3    | —             | —    | —      |
| BFD3934.5    |           |                   |                 |       |         | 6.5   | 7.2  | 7.9    | —             | —    | —      |
| BFD4234.5    |           |                   |                 |       |         | 7.0   | 7.8  | 8.5    | —             | —    | —      |
| BFD4534.5    |           |                   |                 |       |         | 7.6   | 8.4  | 9.2    | —             | —    | —      |
| BFD4834.5    |           |                   |                 |       |         | 8.2   | 9.0  | 9.8    | —             | —    | —      |

**Options Key:** D=Number of Doors DF=Number of Drawer Fronts DB=Drawer Boxes EXT=Extended Stiles EXP=Exposed End(s)  
 FL=Flush End(s) WS=Solid Wood Shelves MI=Matching Interior FT=Flush Toe



**B2D/CSB2D - Base Two Drawer**



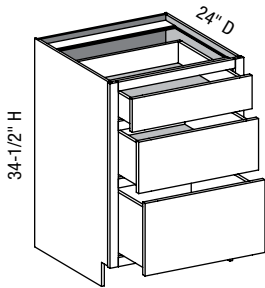
Custom Size Ranges  
Width: 12" – 39"  
Height: 31-1/2" – 34-1/2"  
Depth: 12", 15", 18", 21",  
24", 27", 30"

| D | DF | DB | EXT | EXP | FL | WS | MI | FT |
|---|----|----|-----|-----|----|----|----|----|
|   | 2  | 2  | ✓   | ✓   | ✓  |    | ✓  | ✓  |

- When height changes, both drawer heights are equal.
- 12", 15", 27" and 30" cabinet depths are available with TANDEM slides only.
- No shelf support holes.

| Cabinet Code | Advantage |                   |                 |       | Essence | Doors |      |        | Drawer Fronts |      |        |
|--------------|-----------|-------------------|-----------------|-------|---------|-------|------|--------|---------------|------|--------|
|              | Price     | Exposed End (ea.) | Flush End (ea.) | Shelf | Price   | Inset | 1/2" | 1-1/4" | Inset         | 1/2" | 1-1/4" |
| B2D1234.5    |           |                   |                 | —     |         | —     | —    | —      | 2.0           | 1.9  | 2.4    |
| B2D1534.5    |           |                   |                 | —     |         | —     | —    | —      | 2.1           | 2.5  | 3.0    |
| B2D1834.5    |           |                   |                 | —     |         | —     | —    | —      | 2.6           | 3.1  | 3.6    |
| B2D2134.5    |           |                   |                 | —     |         | —     | —    | —      | 3.2           | 3.7  | 4.2    |
| B2D2434.5    |           |                   |                 | —     |         | —     | —    | —      | 3.7           | 4.3  | 4.8    |
| B2D2734.5    |           |                   |                 | —     |         | —     | —    | —      | 4.2           | 4.9  | 5.4    |
| B2D3034.5    |           |                   |                 | —     |         | —     | —    | —      | 4.8           | 5.4  | 6.0    |
| B2D3334.5    |           |                   |                 | —     |         | —     | —    | —      | 5.3           | 6.0  | 6.7    |
| B2D3634.5    |           |                   |                 | —     |         | —     | —    | —      | 5.8           | 6.6  | 7.3    |
| B2D3934.5    |           |                   |                 | —     |         | —     | —    | —      | 6.4           | 7.2  | 7.9    |

**B3D/CSB3D - Base Three Drawer**



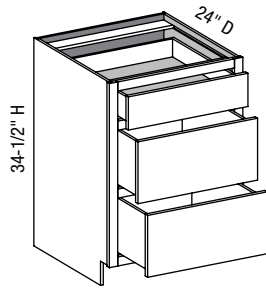
Custom Size Ranges  
Width: 9" – 39"  
Height: 31-1/2" – 34-1/2"  
Depth: 12", 15", 18", 21",  
24", 27", 30"

| D | DF | DB | EXT | EXP | FL | WS | MI | FT |
|---|----|----|-----|-----|----|----|----|----|
|   | 3  | 3  | ✓   | ✓   | ✓  |    | ✓  | ✓  |

- When height changes, lower opening heights change. Upper and middle opening heights fixed at 5" and 8".
- 12", 15", 27" and 30" cabinet depths are available with TANDEM slides only.
- No shelf support holes.

| Cabinet Code | Advantage |                   |                 |       | Essence | Doors |      |        | Drawer Fronts |      |        |
|--------------|-----------|-------------------|-----------------|-------|---------|-------|------|--------|---------------|------|--------|
|              | Price     | Exposed End (ea.) | Flush End (ea.) | Shelf | Price   | Inset | 1/2" | 1-1/4" | Inset         | 1/2" | 1-1/4" |
| B3D1234.5    |           |                   |                 | —     |         | —     | —    | —      | 1.5           | 1.9  | 2.3    |
| B3D1534.5    |           |                   |                 | —     |         | —     | —    | —      | 2.0           | 2.5  | 2.9    |
| B3D1834.5    |           |                   |                 | —     |         | —     | —    | —      | 2.5           | 3.1  | 3.5    |
| B3D2134.5    |           |                   |                 | —     |         | —     | —    | —      | 3.0           | 3.6  | 4.1    |
| B3D2434.5    |           |                   |                 | —     |         | —     | —    | —      | 3.5           | 4.2  | 4.7    |
| B3D2734.5    |           |                   |                 | —     |         | —     | —    | —      | 4.0           | 4.8  | 5.3    |
| B3D3034.5    |           |                   |                 | —     |         | —     | —    | —      | 4.5           | 5.3  | 5.9    |
| B3D3334.5    |           |                   |                 | —     |         | —     | —    | —      | 5.0           | 5.9  | 6.5    |
| B3D3634.5    |           |                   |                 | —     |         | —     | —    | —      | 5.5           | 6.5  | 7.1    |
| B3D3934.5    |           |                   |                 | —     |         | —     | —    | —      | 6.0           | 7.1  | 7.8    |

**Options Key:** D=Number of Doors DF=Number of Drawer Fronts DB=Drawer Boxes EXT=Extended Stiles EXP=Exposed End(s)  
FL=Flush End(s) WS=Solid Wood Shelves MI=Matching Interior FT=Flush Toe

**B3DEH/CSB3DEH - Base Three Drawer w/Two Equal Height Lower Drawers**


Custom Size Ranges  
 Width: 12"– 39"  
 Height: 31-1/2"– 34-1/2"  
 Depth: 12", 15", 18",  
 21", 24", 27", 30"

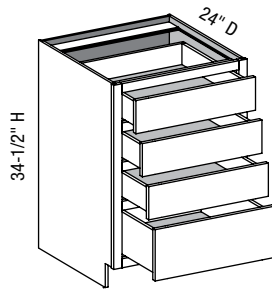
| D | DF | DB | EXT | EXP | FL | WS | MI | FT |
|---|----|----|-----|-----|----|----|----|----|
|   | 3  | 3  | ✓   | ✓   | ✓  | ✓  |    | ✓  |

- When height changes, both lower opening heights change. Upper opening height fixed at 5".
- 12", 15", 27" and 30" cabinet depths are available with TANDEM slides only.
- No shelf support holes.

**6**

Base Cabinets

| Cabinet Code | Advantage |                   |                 |       | Essence | Doors |      |        | Drawer Fronts |      |        |
|--------------|-----------|-------------------|-----------------|-------|---------|-------|------|--------|---------------|------|--------|
|              | Price     | Exposed End (ea.) | Flush End (ea.) | Shelf | Price   | Inset | 1/2" | 1-1/4" | Inset         | 1/2" | 1-1/4" |
| B3DEH1234.5  |           |                   |                 | —     |         | —     | —    | —      | 1.5           | 1.9  | 2.3    |
| B3DEH1534.5  |           |                   |                 | —     |         | —     | —    | —      | 2.0           | 2.5  | 2.9    |
| B3DEH1834.5  |           |                   |                 | —     |         | —     | —    | —      | 2.5           | 3.1  | 3.5    |
| B3DEH2134.5  |           |                   |                 | —     |         | —     | —    | —      | 3.0           | 3.6  | 4.1    |
| B3DEH2434.5  |           |                   |                 | —     |         | —     | —    | —      | 3.5           | 4.2  | 4.7    |
| B3DEH2734.5  |           |                   |                 | —     |         | —     | —    | —      | 4.0           | 4.8  | 5.3    |
| B3DEH3034.5  |           |                   |                 | —     |         | —     | —    | —      | 4.5           | 5.3  | 5.9    |
| B3DEH3334.5  |           |                   |                 | —     |         | —     | —    | —      | 5.0           | 5.9  | 6.5    |
| B3DEH3634.5  |           |                   |                 | —     |         | —     | —    | —      | 5.5           | 6.5  | 7.1    |
| B3DEH3934.5  |           |                   |                 | —     |         | —     | —    | —      | 6.0           | 7.1  | 7.8    |

**B4D/CSB4D - Base Four Drawer**


Custom Size Ranges  
 Width: 9"– 39"  
 Height: 31-1/2"– 34-1/2"  
 Depth: 12", 15", 18", 21",  
 24", 27", 30"

| D | DF | DB | EXT | EXP | FL | WS | MI | FT |
|---|----|----|-----|-----|----|----|----|----|
|   | 4  | 4  | ✓   | ✓   | ✓  |    | ✓  | ✓  |

- When height changes, lower opening height changes. Upper opening heights fixed at 5".
- 12", 15", 27" and 30" cabinet depths are available with TANDEM slides only.
- No shelf support holes.

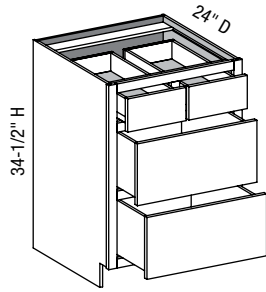
| Cabinet Code | Advantage |                   |                 |       | Essence | Doors |      |        | Drawer Fronts |      |        |
|--------------|-----------|-------------------|-----------------|-------|---------|-------|------|--------|---------------|------|--------|
|              | Price     | Exposed End (ea.) | Flush End (ea.) | Shelf | Price   | Inset | 1/2" | 1-1/4" | Inset         | 1/2" | 1-1/4" |
| B4D1234.5    |           |                   |                 | —     |         | —     | —    | —      | 1.4           | 1.9  | 2.3    |
| B4D1534.5    |           |                   |                 | —     |         | —     | —    | —      | 1.8           | 2.4  | 2.9    |
| B4D1834.5    |           |                   |                 | —     |         | —     | —    | —      | 2.3           | 3.0  | 3.5    |
| B4D2134.5    |           |                   |                 | —     |         | —     | —    | —      | 2.8           | 3.6  | 4.1    |
| B4D2434.5    |           |                   |                 | —     |         | —     | —    | —      | 3.2           | 4.1  | 4.7    |
| B4D2734.5    |           |                   |                 | —     |         | —     | —    | —      | 3.7           | 4.7  | 5.2    |

**Options Key:** D=Number of Doors DF=Number of Drawer Fronts DB=Drawer Boxes EXT=Extended Stiles EXP=Exposed End(s)  
 FL=Flush End(s) WS=Solid Wood Shelves MI=Matching Interior FT=Flush Toe





**B4D2S2EH/CSB4D2S2EH - Base Four Drawer w/Two Side by Side Equal Height Lower Drawers**



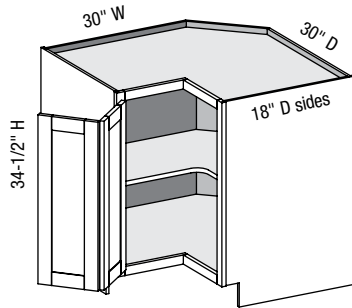
Custom Size Ranges  
Width: 30"– 39"  
Height: 31-1/2"– 34-1/2"  
Depth: 12", 15", 18",  
21", 24", 27", 30"

| D | DF | DB | EXT | EXP | FL | WS | MI | FT |
|---|----|----|-----|-----|----|----|----|----|
|   | 4  | 4  | ✓   | ✓   | ✓  | ✓  |    | ✓  |

- When height changes, both lower opening heights change. Upper opening height fixed at 5".
- 12", 15", 27" and 30" cabinet depths are available with TANDEM slides only.
- No shelf support holes.

| Cabinet Code   | Advantage |                   |                 |       | Essence | Doors |      |        | Drawer Fronts |      |        |
|----------------|-----------|-------------------|-----------------|-------|---------|-------|------|--------|---------------|------|--------|
|                | Price     | Exposed End (ea.) | Flush End (ea.) | Shelf | Price   | Inset | 1/2" | 1-1/4" | Inset         | 1/2" | 1-1/4" |
| B4D2S2EH3034.5 |           |                   |                 | —     |         | —     | —    | —      | 4.5           | 5.3  | 6.1    |
| B4D2S2EH3334.5 |           |                   |                 | —     |         | —     | —    | —      | 5.1           | 5.8  | 6.7    |
| B4D2S2EH3634.5 |           |                   |                 | —     |         | —     | —    | —      | 5.6           | 6.4  | 7.3    |
| B4D2S2EH3934.5 |           |                   |                 | —     |         | —     | —    | —      | 6.1           | 7.0  | 7.7    |

**BLS/CSBLS30 - Base Lazy Susan 30"**



Custom Size Ranges  
Width: 30"  
Height: 31-1/2"– 42"  
Depth: 30"

| D | DF | DB | EXT | EXP | FL | WS | MI | FT |
|---|----|----|-----|-----|----|----|----|----|
| 2 |    |    | ✓   | ✓   | ✓  |    | ✓  | ✓  |

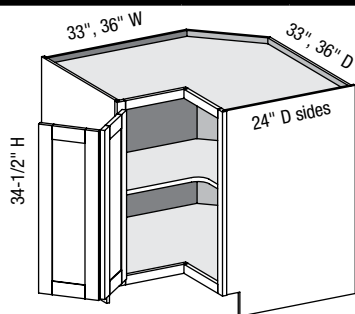
- Cabinet size is 30"W x 30"D, but wall space required is 36"W x 36"D when used adjacent to 24" deep cabinets.
- When Blum hinges are ordered in 1-1/4" and 1-3/8" overlay applications, cabinets will have their doors sized as 1/2" overlay in width only.
- Shelf standard.
- Minimum entry opening width required is 30" (doorways, hallways, etc.).
- Optional 24" dia. plastic kidney shaped susan available.
- Optional Soss hinges available (2100061A).

| Susan Option Upgrade |           |         |
|----------------------|-----------|---------|
| Cab. Code            | Advantage | Essence |
| BLS3034.5            |           |         |

| Cabinet Code | Advantage |                   |                 |       | Essence | Doors |      |        | Drawer Fronts |      |        |
|--------------|-----------|-------------------|-----------------|-------|---------|-------|------|--------|---------------|------|--------|
|              | Price     | Exposed End (ea.) | Flush End (ea.) | Shelf | Price   | Inset | 1/2" | 1-1/4" | Inset         | 1/2" | 1-1/4" |
| BLS3034.5    |           |                   |                 | —     |         | 3.9   | 4.0  | 4.6    | —             | —    | —      |



**BLS/CSBLS - Base Lazy Susan**



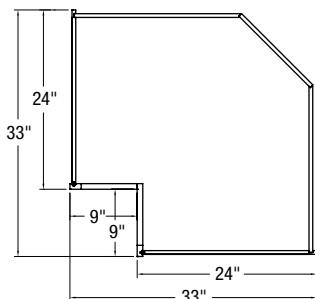
Custom Size Ranges  
Width: 33"– 42"  
Height: 31-1/2"– 42"  
Depth: 33"– 42"

| D | DF | DB | EXT | EXP | FL | WS | MI | FT |
|---|----|----|-----|-----|----|----|----|----|
| 2 |    |    | ✓   | ✓   | ✓  |    | ✓  | ✓  |

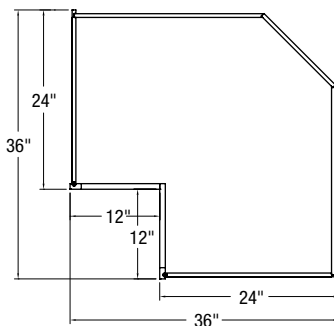
- When Blum hinges are ordered in 1-1/4" and 1-3/8" overlay applications, cabinets will have their doors sized as 1/2" overlay in width only.
- Plywood shelf standard; wood shelf upgrade available on BLS3634.5 only.
- Minimum entry opening width required for BLS3634.5 is 35" (doorways, hallways, etc.).
- Optional 24" dia. plastic kidney shaped susan available with stock sizes only.
- 36" uses a 32" susan, 33" uses a 24" susan.
- Optional Soss hinges available (2100061A).
- CSBLS available with custom size legs. Specify width (left dimension) and depth (right dimension). Side depth remains fixed; front frame pie cut opening adjusts as size changes.

| Susan Option Upgrade |           |         |
|----------------------|-----------|---------|
| Cab. Code            | Advantage | Essence |
| BLS3334.5            |           |         |
| BLS3634.5            |           |         |

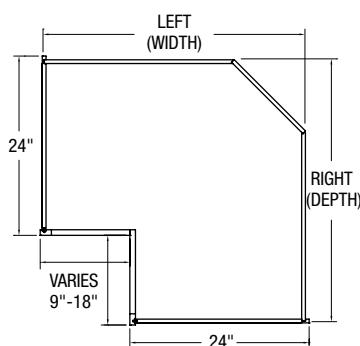
**BLS3334.5**



**BLS3634.5**

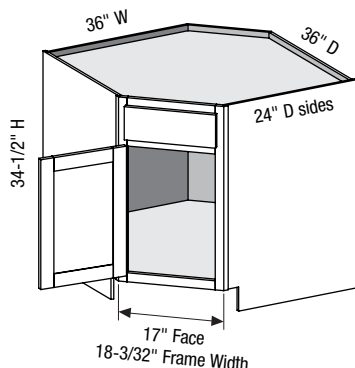


**Custom**



| Cabinet Code | Advantage |                   |                 |       | Essence | Doors |      |        | Drawer Fronts |      |        |
|--------------|-----------|-------------------|-----------------|-------|---------|-------|------|--------|---------------|------|--------|
|              | Price     | Exposed End (ea.) | Flush End (ea.) | Shelf | Price   | Inset | 1/2" | 1-1/4" | Inset         | 1/2" | 1-1/4" |
| BLS3334.5    |           |                   |                 | —     |         | 2.7   | 2.8  | 3.3    | —             | —    | —      |
| BLS3634.5    |           |                   |                 |       |         | 3.9   | 4.0  | 4.6    | —             | —    | —      |

**BSC/CSBSC - Base Sink Corner**



Custom Size Ranges  
Width: 36"  
Height: 31-1/2"– 42"  
Depth: 36"

| D | DF | DB | EXT | EXP | FL | WS | MI | FT |
|---|----|----|-----|-----|----|----|----|----|
| 1 | 1  |    |     | ✓   | ✓  |    | ✓  | ✓  |

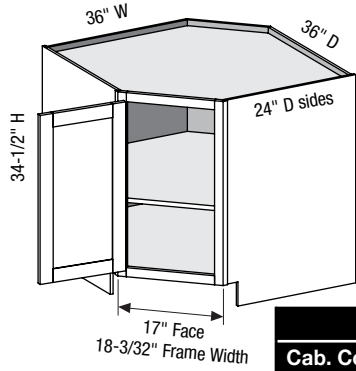
- Minimum entry opening width required is 35" (doorways, hallways, etc.).
- False drawer front.
- No shelf support holes.
- When Blum hinges are ordered in 1-1/4" and 1-3/8" overlay applications, cabinets will have their doors sized as 1/2" overlay in width only.
- 1-1/4" and 1-3/8" overlays require adequate clearance for door functionality between corner and adjacent cabinets. Use filler or extended stiles accordingly.

| Cabinet Code | Advantage |                   |                 |       | Essence | Doors |      |        | Drawer Fronts |      |        |
|--------------|-----------|-------------------|-----------------|-------|---------|-------|------|--------|---------------|------|--------|
|              | Price     | Exposed End (ea.) | Flush End (ea.) | Shelf | Price   | Inset | 1/2" | 1-1/4" | Inset         | 1/2" | 1-1/4" |
| BSC3634.5    |           |                   |                 | —     |         | 1.9   | 2.3  | 2.5    | 0.4           | 0.6  | 0.7    |

**Options Key:** D=Number of Doors DF=Number of Drawer Fronts DB=Drawer Boxes EXT=Extended Stiles EXP=Exposed End(s) FL=Flush End(s) WS=Solid Wood Shelves MI=Matching Interior FT=Flush Toe



**BCFD/CSBCFD - Base Corner Full Door**



Custom Size Ranges  
Width: 36"  
Height: 31-1/2" – 42"  
Depth: 36"

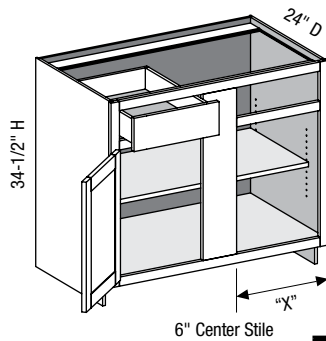
| D | DF | DB | EXT | EXP | FL | WS | MI | FT |
|---|----|----|-----|-----|----|----|----|----|
| 1 | 1  |    |     | ✓   | ✓  |    | ✓  | ✓  |

- Minimum entry opening width required is 35" (doorways, hallways, etc.).
- Shelf standard.
- Optional 32" round plastic susan available with 34-1/2" height only.
- When Blum hinges are ordered in 1-1/4" and 1-3/8" overlay applications, cabinets will have their doors sized as 1/2" overlay in width only.
- 1-1/4" and 1-3/8" overlays require adequate clearance for door functionality between corner and adjacent cabinets. Use filler or extended stiles accordingly.

| Susan Option Upgrade |           |         |
|----------------------|-----------|---------|
| Cab. Code            | Advantage | Essence |
| BCFD3634.5           |           |         |

| Cabinet Code | Advantage |                   |                 |       | Essence | Doors |      |        | Drawer Fronts |      |        |
|--------------|-----------|-------------------|-----------------|-------|---------|-------|------|--------|---------------|------|--------|
|              | Price     | Exposed End (ea.) | Flush End (ea.) | Shelf | Price   | Inset | 1/2" | 1-1/4" | Inset         | 1/2" | 1-1/4" |
| BCFD3634.5   |           |                   |                 |       |         | 2.5   | 3.0  | 3.2    | —             | —    | —      |

**BBC/CSBBC - Base Blind Corner**



Custom Size Ranges  
Width: 36", 39", 42", 45", 48"  
Height: 31-1/2" – 42"  
Depth: 12", 15", 18", 21", 24", 27", 30"

| D | DF | DB | EXT | EXP | FL | WS | MI | FT |
|---|----|----|-----|-----|----|----|----|----|
| 1 | 1  | 1  | ✓   | ✓   | ✓  | ✓  | ✓  | ✓  |

- Units are reversible right or left (left shown).
- For 1-1/4" or 1-3/8" overlays, doors may require custom sizes depending on hardware.
- Cabinet can be pulled an additional 2-1/4" beyond recommended space for most hardware.
- 12", 15", 27" and 30" cabinet depths are available with TANDEM slides only.

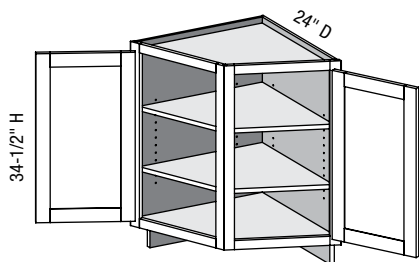
| Cabinet Code | Cabinet Width | Cabinet Width Opening | "X"     | Minimum Space Required | Recommended Space For Most Hardware |
|--------------|---------------|-----------------------|---------|------------------------|-------------------------------------|
| BBC3634.5    | 27"           | 9"                    | 10-1/2" | 36"                    | 37-1/2"                             |
| BBC3934.5    | 33"           | 12"                   | 13-1/2" | 39"                    | 40-1/2"                             |
| BBC4234.5    | 39"           | 15"                   | 16-1/2" | 42"                    | 43-1/2"                             |
| BBC4534.5    | 45"           | 18"                   | 19-1/2" | 45"                    | 46-1/2"                             |
| BBC4834.5    | 48"           | 19-1/2"               | 21"     | 48"                    | 48"                                 |

| Cabinet Code | Advantage |                   |                 |       | Essence | Doors |      |        | Drawer Fronts |      |        |
|--------------|-----------|-------------------|-----------------|-------|---------|-------|------|--------|---------------|------|--------|
|              | Price     | Exposed End (ea.) | Flush End (ea.) | Shelf | Price   | Inset | 1/2" | 1-1/4" | Inset         | 1/2" | 1-1/4" |
| BBC3634.5    |           |                   |                 |       |         | 1.3   | 1.5  | 1.9    | 0.3           | 0.4  | 0.5    |
| BBC3934.5    |           |                   |                 |       |         | 1.7   | 2.0  | 2.3    | 0.4           | 0.5  | 0.6    |
| BBC4234.5    |           |                   |                 |       |         | 2.1   | 2.4  | 2.8    | 0.5           | 0.7  | 0.8    |
| BBC4534.5    |           |                   |                 |       |         | 2.6   | 2.9  | 3.3    | 0.6           | 0.8  | 0.9    |
| BBC4834.5    |           |                   |                 |       |         | 2.8   | 3.1  | 3.6    | 0.6           | 0.9  | 1.0    |

**Options Key:** D=Number of Doors DF=Number of Drawer Fronts DB=Drawer Boxes EXT=Extended Stiles EXP=Exposed End(s) FL=Flush End(s) WS=Solid Wood Shelves MI=Matching Interior FT=Flush Toe



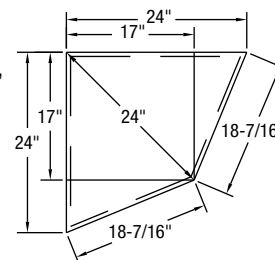
**BAE/CSBAE - Base Angle End**



Custom Size Ranges  
 Width: 24"  
 Height: 31-1/2" – 42"  
 Depth: 24"

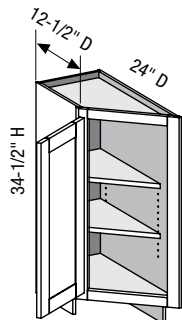
| D | DF | DB | EXT | EXP | FL | WS | MI | FT |
|---|----|----|-----|-----|----|----|----|----|
| 1 | 1  |    |     | ✓   | ✓  |    | ✓  | ✓  |

- Two 15" wide openings.
- 1-13/16" wide stiles outside, 1-5/8" wide stiles inside.



| Cabinet Code | Advantage |                   |                 |       | Essence | Doors |      |        | Drawer Fronts |      |        |
|--------------|-----------|-------------------|-----------------|-------|---------|-------|------|--------|---------------|------|--------|
|              | Price     | Exposed End (ea.) | Flush End (ea.) | Shelf | Price   | Inset | 1/2" | 1-1/4" | Inset         | 1/2" | 1-1/4" |
| BAE2434.5    |           | —                 | —               |       |         | 5.6   | 6.3  | 7.3    | —             | —    | —      |

**BEAL(R)/CSBEAL(R) - Base End Angle Left (or Right)**



Custom Size Ranges  
 Width: 12"  
 Height: 31-1/2" – 42"  
 Depth: 24"

| D | DF | DB | EXT | EXP | FL | WS | MI | FT |
|---|----|----|-----|-----|----|----|----|----|
| 1 |    |    | ✓   | ✓   | ✓  | ✓  | ✓  | ✓  |

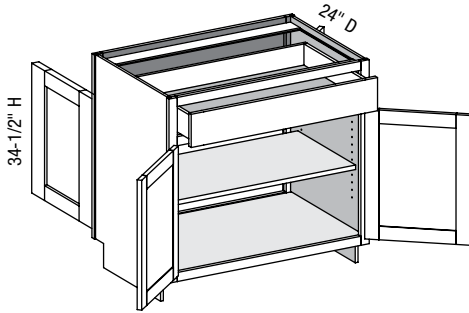
- Units are reversible right or left (left shown).
- 1-13/16" stile face width.
- Flush end available on 12-1/2" deep side.
- Exposed end available on 24" deep side.

| Cabinet Code | Advantage |                   |                 |       | Essence | Doors |      |        | Drawer Fronts |      |        |
|--------------|-----------|-------------------|-----------------|-------|---------|-------|------|--------|---------------|------|--------|
|              | Price     | Exposed End (ea.) | Flush End (ea.) | Shelf | Price   | Inset | 1/2" | 1-1/4" | Inset         | 1/2" | 1-1/4" |
| BEAL1234.5   |           |                   |                 |       |         | 2.3   | 2.7  | 3.1    | —             | —    | —      |
| BEAR1234.5   |           |                   |                 |       |         | 2.3   | 2.7  | 3.1    | —             | —    | —      |

**Options Key:** D=Number of Doors DF=Number of Drawer Fronts DB=Drawer Boxes EXT=Extended Stiles EXP=Exposed End(s)  
 FL=Flush End(s) WS=Solid Wood Shelves MI=Matching Interior FT=Flush Toe



**BDE/CSBDE - Base Double Entry w/Butt Doors**



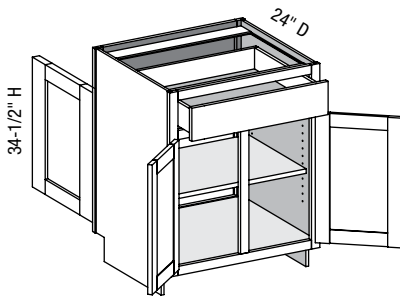
Custom Size Ranges  
Width: 24" – 36"  
Height: 31-1/2" – 42"  
Depth: 12", 15", 18",  
21", 24", 27", 30"

| D | DF | DB | EXT | EXP | FL | WS | MI | FT |
|---|----|----|-----|-----|----|----|----|----|
| 4 | 2  | 1  | ✓   | ✓   | ✓  |    | ✓  | ✓  |

- One false drawer front.
- When height changes, lower opening height changes. Drawer height fixed at 5".
- Specify single or butt doors on cabinets 24" wide.
- 12", 15", 27" and 30" cabinet depths are available with TANDEM slides only.

| Cabinet Code | Advantage |                   |                 |       | Essence | Doors |      |        | Drawer Fronts |      |        |
|--------------|-----------|-------------------|-----------------|-------|---------|-------|------|--------|---------------|------|--------|
|              | Price     | Exposed End (ea.) | Flush End (ea.) | Shelf | Price   | Inset | 1/2" | 1-1/4" | Inset         | 1/2" | 1-1/4" |
| BDE2434.5BD  |           |                   |                 | —     |         | 6.0   | 6.7  | 7.5    | 1.4           | 1.8  | 2.0    |
| BDE2734.5BD  |           |                   |                 | —     |         | 6.8   | 7.6  | 8.5    | 1.6           | 2.1  | 2.3    |
| BDE3034.5BD  |           |                   |                 | —     |         | 7.7   | 8.5  | 9.5    | 1.8           | 2.3  | 2.6    |
| BDE3634.5BD  |           |                   |                 | —     |         | 9.4   | 10.4 | 11.4   | 2.2           | 2.8  | 3.1    |

**BDE/CSBDE2D1D - Base Double Entry Two Door One Drawer**



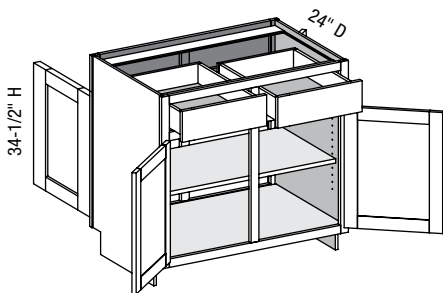
Custom Size Ranges  
Width: 27" – 36"  
Height: 31-1/2" – 42"  
Depth: 12", 15", 18",  
21", 24", 27", 30"

| D | DF | DB | EXT | EXP | FL | WS | MI | FT |
|---|----|----|-----|-----|----|----|----|----|
| 4 | 2  | 1  | ✓   | ✓   | ✓  |    | ✓  | ✓  |

- One false drawer front.
- When height changes, lower opening height changes. Drawer height fixed at 5".
- 12", 15", 27" and 30" cabinet depths are available with TANDEM slides only.

| Cabinet Code | Advantage |                   |                 |       | Essence | Doors |      |        | Drawer Fronts |      |        |
|--------------|-----------|-------------------|-----------------|-------|---------|-------|------|--------|---------------|------|--------|
|              | Price     | Exposed End (ea.) | Flush End (ea.) | Shelf | Price   | Inset | 1/2" | 1-1/4" | Inset         | 1/2" | 1-1/4" |
| BDE2734.5    |           |                   |                 | —     |         | 6.4   | 7.5  | 8.4    | 1.6           | 2.1  | 2.3    |

**BDE/CSBDECS - Base Double Entry w/Center Stile**



Custom Size Ranges  
Width: 30" – 48"  
Height: 31-1/2" – 42"  
Depth: 12", 15", 18",  
21", 24", 27", 30"

| D | DF | DB | EXT | EXP | FL | WS | MI | FT |
|---|----|----|-----|-----|----|----|----|----|
| 4 | 4  | 1  | ✓   | ✓   | ✓  |    | ✓  | ✓  |

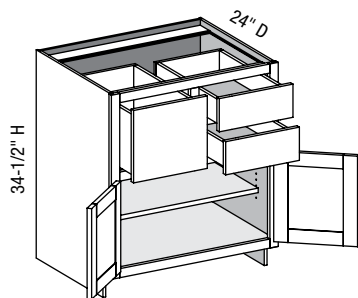
- One false drawer front.
- When height changes, lower opening height changes. Drawer height fixed at 5".
- 12", 15", 27" and 30" cabinet depths are available with TANDEM slides only.

| Cabinet Code | Advantage |                   |                 |       | Essence | Doors |      |        | Drawer Fronts |      |        |
|--------------|-----------|-------------------|-----------------|-------|---------|-------|------|--------|---------------|------|--------|
|              | Price     | Exposed End (ea.) | Flush End (ea.) | Shelf | Price   | Inset | 1/2" | 1-1/4" | Inset         | 1/2" | 1-1/4" |
| BDE3034.5    |           |                   |                 | —     |         | 7.3   | 8.4  | 9.4    | 1.7           | 2.3  | 2.5    |
| BDE3634.5    |           |                   |                 | —     |         | 9.0   | 10.2 | 11.3   | 2.1           | 2.8  | 3.0    |
| BDE4234.5    |           |                   |                 | —     |         | 10.7  | 12.1 | 13.2   | 2.5           | 3.3  | 3.6    |
| BDE4834.5    |           |                   |                 | —     |         | 12.5  | 13.9 | 15.2   | 2.9           | 3.8  | 4.1    |

**Options Key:** D=Number of Doors DF=Number of Drawer Fronts DB=Drawer Boxes EXT=Extended Stiles EXP=Exposed End(s)  
FL=Flush End(s) WS=Solid Wood Shelves MI=Matching Interior FT=Flush Toe



**BC3DL/CSBC3DL - Base Combo Three Drawer Left w/Butt Doors**



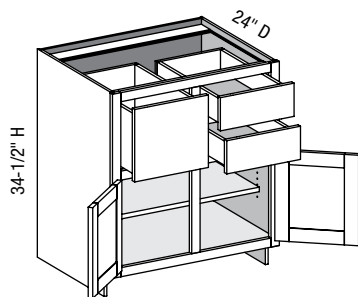
Custom Size Ranges  
 Width: 24"– 36"  
 Height: 31-1/2"– 42"  
 Depth: 12", 15", 18",  
 21", 24", 27", 30"

| D | DF | DB | EXT | EXP | FL | WS | MI | FT |
|---|----|----|-----|-----|----|----|----|----|
| 2 | 3  | 3  | ✓   | ✓   | ✓  | ✓  | ✓  | ✓  |

- When height changes, lower opening height changes. Drawer opening height fixed at 5" and 11-1/2".
- When width changes, drawer opening widths are equal.
- 12", 15", 27" and 30" cabinet depths are available with TANDEM slides only.

| Cabinet Code  | Advantage |                   |                 |       | Essence | Doors |      |        | Drawer Fronts |      |        |
|---------------|-----------|-------------------|-----------------|-------|---------|-------|------|--------|---------------|------|--------|
|               | Price     | Exposed End (ea.) | Flush End (ea.) | Shelf | Price   | Inset | 1/2" | 1-1/4" | Inset         | 1/2" | 1-1/4" |
| BC3DL2434.5BD |           |                   |                 |       |         | 2.0   | 2.4  | 2.7    | 1.4           | 1.8  | 2.0    |
| BC3DL2734.5BD |           |                   |                 |       |         | 2.3   | 2.7  | 3.0    | 1.6           | 2.1  | 2.3    |
| BC3DL3034.5BD |           |                   |                 |       |         | 2.6   | 3.0  | 3.4    | 1.8           | 2.3  | 2.6    |
| BC3DL3334.5BD |           |                   |                 |       |         | 2.9   | 3.3  | 3.7    | 2.0           | 2.6  | 2.8    |
| BC3DL3634.5BD |           |                   |                 |       |         | 3.2   | 3.6  | 4.1    | 2.3           | 2.9  | 3.1    |

**BC3DL/CSBC3DLCS - Base Combo Three Drawer Left w/Center Stile**



Custom Size Ranges  
 Width: 27"– 48"  
 Height: 31-1/2"– 42"  
 Depth: 12", 15", 18",  
 21", 24", 27", 30"

| D | DF | DB | EXT | EXP | FL | WS | MI | FT |
|---|----|----|-----|-----|----|----|----|----|
| 2 | 3  | 3  | ✓   | ✓   | ✓  | ✓  | ✓  | ✓  |

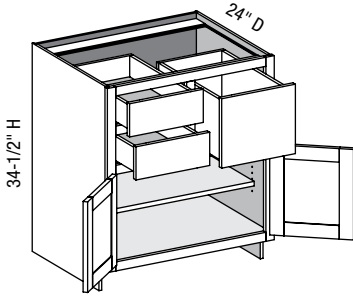
- When height changes, lower opening height changes. Drawer opening height fixed at 5" and 11-1/2".
- When width changes, drawer opening widths are equal.
- 12", 15", 27" and 30" cabinet depths are available with TANDEM slides only.

| Cabinet Code | Advantage |                   |                 |       | Essence | Doors |      |        | Drawer Fronts |      |        |
|--------------|-----------|-------------------|-----------------|-------|---------|-------|------|--------|---------------|------|--------|
|              | Price     | Exposed End (ea.) | Flush End (ea.) | Shelf | Price   | Inset | 1/2" | 1-1/4" | Inset         | 1/2" | 1-1/4" |
| BC3DL2734.5  |           |                   |                 |       |         | 2.2   | 2.6  | 3.0    | 1.6           | 2.1  | 2.3    |
| BC3DL3034.5  |           |                   |                 |       |         | 2.5   | 3.0  | 3.3    | 1.8           | 2.3  | 2.6    |
| BC3DL3334.5  |           |                   |                 |       |         | 2.8   | 3.3  | 3.7    | 2.0           | 2.6  | 2.8    |
| BC3DL3634.5  |           |                   |                 |       |         | 3.1   | 3.6  | 4.0    | 2.3           | 2.9  | 3.1    |

**Options Key:** D=Number of Doors DF=Number of Drawer Fronts DB=Drawer Boxes EXT=Extended Stiles EXP=Exposed End(s)  
 FL=Flush End(s) WS=Solid Wood Shelves MI=Matching Interior FT=Flush Toe



**BC3DR/CSBC3DR - Base Combo Three Drawer Right w/Butt Doors**



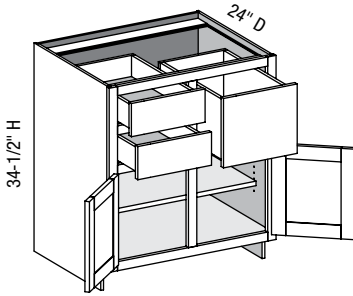
Custom Size Ranges  
Width: 24" – 36"  
Height: 31-1/2" – 42"  
Depth: 12", 15", 18",  
21", 24", 27", 30"

| D | DF | DB | EXT | EXP | FL | WS | MI | FT |
|---|----|----|-----|-----|----|----|----|----|
| 2 | 3  | 3  | ✓   | ✓   | ✓  | ✓  | ✓  | ✓  |

- When height changes, lower opening height changes. Drawer opening height fixed at 5" and 11-1/2".
- When width changes, drawer opening widths are equal.
- 12", 15", 27" and 30" cabinet depths are available with TANDEM slides only.

| Cabinet Code  | Advantage |                   |                 |       | Essence | Doors |      |        | Drawer Fronts |      |        |
|---------------|-----------|-------------------|-----------------|-------|---------|-------|------|--------|---------------|------|--------|
|               | Price     | Exposed End (ea.) | Flush End (ea.) | Shelf | Price   | Inset | 1/2" | 1-1/4" | Inset         | 1/2" | 1-1/4" |
| BC3DR2434.5BD |           |                   |                 |       |         | 2.0   | 2.4  | 2.7    | 1.4           | 1.8  | 2.0    |
| BC3DR2734.5BD |           |                   |                 |       |         | 2.3   | 2.7  | 3.0    | 1.6           | 2.1  | 2.3    |
| BC3DR3034.5BD |           |                   |                 |       |         | 2.6   | 3.0  | 3.4    | 1.8           | 2.3  | 2.6    |
| BC3DR3334.5BD |           |                   |                 |       |         | 2.9   | 3.3  | 3.7    | 2.0           | 2.6  | 2.8    |
| BC3DR3634.5BD |           |                   |                 |       |         | 3.2   | 3.6  | 4.1    | 2.3           | 2.9  | 3.1    |

**BC3DR/CSBC3DRCS - Base Combo Three Drawer Right w/Center Stile**



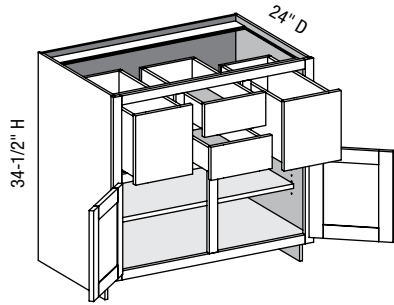
Custom Size Ranges  
Width: 27" – 48"  
Height: 31-1/2" – 42"  
Depth: 12", 15", 18",  
21", 24", 27", 30"

| D | DF | DB | EXT | EXP | FL | WS | MI | FT |
|---|----|----|-----|-----|----|----|----|----|
| 2 | 3  | 3  | ✓   | ✓   | ✓  | ✓  | ✓  | ✓  |

- When height changes, lower opening height changes. Drawer opening height fixed at 5" and 11-1/2".
- When width changes, drawer opening widths are equal.
- 12", 15", 27" and 30" cabinet depths are available with TANDEM slides only.

| Cabinet Code | Advantage |                   |                 |       | Essence | Doors |      |        | Drawer Fronts |      |        |
|--------------|-----------|-------------------|-----------------|-------|---------|-------|------|--------|---------------|------|--------|
|              | Price     | Exposed End (ea.) | Flush End (ea.) | Shelf | Price   | Inset | 1/2" | 1-1/4" | Inset         | 1/2" | 1-1/4" |
| BC3DR2734.5  |           |                   |                 |       |         | 2.2   | 2.6  | 3.0    | 1.6           | 2.1  | 2.3    |
| BC3DR3034.5  |           |                   |                 |       |         | 2.5   | 3.0  | 3.3    | 1.8           | 2.3  | 2.6    |
| BC3DR3334.5  |           |                   |                 |       |         | 2.8   | 3.3  | 3.7    | 2.0           | 2.6  | 2.8    |
| BC3DR3634.5  |           |                   |                 |       |         | 3.1   | 3.6  | 4.0    | 2.3           | 2.9  | 3.1    |

**Options Key:** D=Number of Doors DF=Number of Drawer Fronts DB=Drawer Boxes EXT=Extended Stiles EXP=Exposed End(s)  
FL=Flush End(s) WS=Solid Wood Shelves MI=Matching Interior FT=Flush Toe

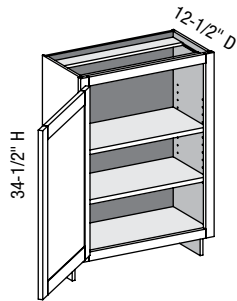
**BC4D/CSBC4DCS - Base Combo Four Drawer**


Custom Size Ranges  
 Width: 36" – 48"  
 Height: 31-1/2" – 42"  
 Depth: 12", 15", 18",  
 21", 24", 27", 30"

| D | DF | DB | EXT | EXP | FL | WS | MI | FT |
|---|----|----|-----|-----|----|----|----|----|
| 2 | 4  | 4  | ✓   | ✓   | ✓  | ✓  | ✓  | ✓  |

- When height changes, lower opening height changes. Drawer opening height fixed at 5" and 11-1/2".
- When width changes, drawer opening widths are equal.
- 12", 15", 27" and 30" cabinet depths are available with TANDEM slides only.

| Cabinet Code | Advantage |                   |                 |       | Essence | Doors |      |        | Drawer Fronts |      |        |
|--------------|-----------|-------------------|-----------------|-------|---------|-------|------|--------|---------------|------|--------|
|              | Price     | Exposed End (ea.) | Flush End (ea.) | Shelf | Price   | Inset | 1/2" | 1-1/4" | Inset         | 1/2" | 1-1/4" |
| BC4D2434.5BD |           |                   |                 |       |         | 2.0   | 2.4  | 2.7    | 1.4           | 1.8  | 2.0    |
| BC4D2734.5BD |           |                   |                 |       |         | 2.3   | 2.7  | 3.0    | 1.6           | 2.1  | 2.3    |
| BC4D3034.5BD |           |                   |                 |       |         | 2.6   | 3.0  | 3.4    | 1.8           | 2.3  | 2.6    |
| BC4D3334.5BD |           |                   |                 |       |         | 2.9   | 3.3  | 3.7    | 2.0           | 2.6  | 2.8    |
| BC4D3634.5BD |           |                   |                 |       |         | 3.2   | 3.6  | 4.1    | 2.3           | 2.9  | 3.1    |

**BWD/CSBFD - Base Full Door**


Custom Size Ranges  
 Width: 9" – 24"  
 Height: 10" – 48"  
 Depth: 5-1/2" – 30"

| D | DF | DB | EXT | EXP | FL | WS | MI | FT |
|---|----|----|-----|-----|----|----|----|----|
| 1 |    |    | ✓   | ✓   | ✓  | ✓  | ✓  | ✓  |

- 10" – 22" high has no shelves.
- 22-1/16" – 28" high has 1 shelf.
- 28-1/16" – 40" high has 2 shelves.
- 40-1/16" – 48" high has 3 shelves.
- Specify single or butt doors on cabinets 24" wide.

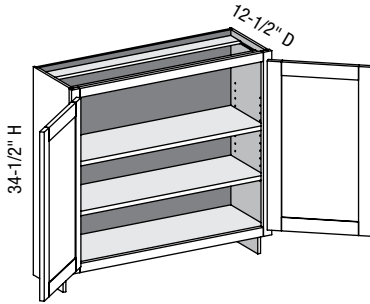
| Cabinet Code | Advantage |                   |                 |       | Essence | Doors |      |        | Drawer Fronts |      |        |
|--------------|-----------|-------------------|-----------------|-------|---------|-------|------|--------|---------------|------|--------|
|              | Price     | Exposed End (ea.) | Flush End (ea.) | Shelf | Price   | Inset | 1/2" | 1-1/4" | Inset         | 1/2" | 1-1/4" |
| BWD1234.5    |           |                   |                 |       |         | 1.7   | 2.0  | 2.4    | —             | —    | —      |
| BWD1534.5    |           |                   |                 |       |         | 2.2   | 2.6  | 3.0    | —             | —    | —      |
| BWD1834.5    |           |                   |                 |       |         | 2.8   | 3.2  | 3.6    | —             | —    | —      |
| BWD2134.5    |           |                   |                 |       |         | 3.4   | 3.8  | 4.3    | —             | —    | —      |
| BWD2434.5    |           |                   |                 |       |         | 3.9   | 4.4  | 4.9    | —             | —    | —      |

**Options Key:** D=Number of Doors DF=Number of Drawer Fronts DB=Drawer Boxes EXT=Extended Stiles EXP=Exposed End(s)  
 FL=Flush End(s) WS=Solid Wood Shelves MI=Matching Interior FT=Flush Toe





**BWD/CSBFD - Base Full Door w/Butt Doors**



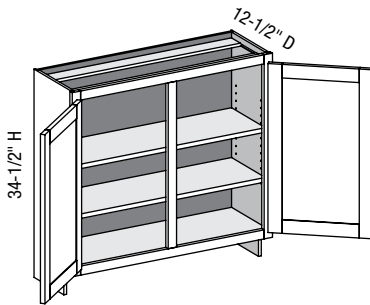
Custom Size Ranges  
Width: 24" – 36"  
Height: 10" – 48"  
Depth: 5-1/2" – 30"

| D | DF | DB | EXT | EXP | FL | WS | MI | FT |
|---|----|----|-----|-----|----|----|----|----|
| 2 |    |    | ✓   | ✓   | ✓  | ✓  | ✓  | ✓  |

- 10" – 22" high has no shelves.
- 22-1/16" – 28" high has 1 shelf.
- 28-1/16" – 40" high has 2 shelves.
- 40-1/16" – 48" high has 3 shelves.
- Specify single or butt doors on cabinets 24" wide.

| Cabinet Code | Advantage |                   |                 |       | Essence | Doors |      |        | Drawer Fronts |      |        |
|--------------|-----------|-------------------|-----------------|-------|---------|-------|------|--------|---------------|------|--------|
|              | Price     | Exposed End (ea.) | Flush End (ea.) | Shelf | Price   | Inset | 1/2" | 1-1/4" | Inset         | 1/2" | 1-1/4" |
| BWD2434.5BD  |           |                   |                 |       |         | 3.9   | 4.3  | 4.9    | —             | —    | —      |
| BWD2734.5BD  |           |                   |                 |       |         | 4.5   | 4.9  | 5.5    | —             | —    | —      |
| BWD3034.5BD  |           |                   |                 |       |         | 5.0   | 5.5  | 6.1    | —             | —    | —      |
| BWD3334.5BD  |           |                   |                 |       |         | 5.6   | 6.1  | 6.7    | —             | —    | —      |
| BWD3634.5BD  |           |                   |                 |       |         | 6.2   | 6.7  | 7.4    | —             | —    | —      |

**BWD/CSBFDCS - Base Full Door w/Center Stile**



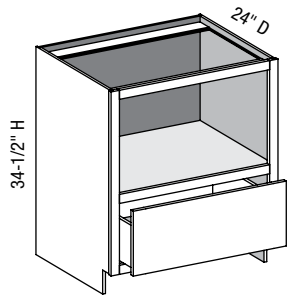
Custom Size Ranges  
Width: 27" – 48"  
Height: 10" – 48"  
Depth: 5-1/2" – 30"

| D | DF | DB | EXT | EXP | FL | WS | MI | FT |
|---|----|----|-----|-----|----|----|----|----|
| 2 |    |    | ✓   | ✓   | ✓  | ✓  | ✓  | ✓  |

- 10" – 22" high has no shelves.
- 22-1/16" – 28" high has 1 shelf.
- 28-1/16" – 40" high has 2 shelves.
- 40-1/16" – 48" high has 3 shelves.

| Cabinet Code | Advantage |                   |                 |       | Essence | Doors |      |        | Drawer Fronts |      |        |
|--------------|-----------|-------------------|-----------------|-------|---------|-------|------|--------|---------------|------|--------|
|              | Price     | Exposed End (ea.) | Flush End (ea.) | Shelf | Price   | Inset | 1/2" | 1-1/4" | Inset         | 1/2" | 1-1/4" |
| BWD2734.5    |           |                   |                 |       |         | 4.2   | 4.8  | 5.4    | —             | —    | —      |
| BWD3034.5    |           |                   |                 |       |         | 4.8   | 5.4  | 6.0    | —             | —    | —      |
| BWD3334.5    |           |                   |                 |       |         | 5.3   | 6.0  | 6.7    | —             | —    | —      |
| BWD3634.5    |           |                   |                 |       |         | 5.9   | 6.6  | 7.3    | —             | —    | —      |
| BWD3934.5    |           |                   |                 |       |         | 6.5   | 7.2  | 7.9    | —             | —    | —      |
| BWD4234.5    |           |                   |                 |       |         | 7.0   | 7.8  | 8.5    | —             | —    | —      |
| BWD4534.5    |           |                   |                 |       |         | 7.6   | 8.4  | 9.2    | —             | —    | —      |
| BWD4834.5    |           |                   |                 |       |         | 8.2   | 9.0  | 9.8    | —             | —    | —      |

**Options Key:** D=Number of Doors DF=Number of Drawer Fronts DB=Drawer Boxes EXT=Extended Stiles EXP=Exposed End(s)  
FL=Flush End(s) WS=Solid Wood Shelves MI=Matching Interior FT=Flush Toe

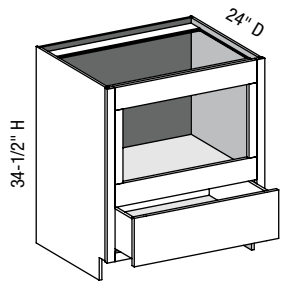
**BUCM/CSBUM - Base Under Counter Microwave**


Custom Size Ranges  
 Width: 24"– 36"  
 Height: 31-1/2"– 42"  
 Depth: 12", 15", 18",  
 21", 24", 27", 30"

| D | DF | DB | EXT | EXP | FL | WS | MI | FT |
|---|----|----|-----|-----|----|----|----|----|
|   | 1  | 1  | ✓   | ✓   | ✓  |    | ✓  | ✓  |

- For 34-1/2" high cabinets, top opening height is 15-3/4".
- When height changes, upper opening height changes. Lower opening height fixed at 10-1/4".
- 12", 15", 27" and 30" cabinet depths are available with TANDEM slides only.

| Cabinet Code | Advantage |                   |                 |       | Essence | Doors |      |        | Drawer Fronts |      |        |
|--------------|-----------|-------------------|-----------------|-------|---------|-------|------|--------|---------------|------|--------|
|              | Price     | Exposed End (ea.) | Flush End (ea.) | Shelf | Price   | Inset | 1/2" | 1-1/4" | Inset         | 1/2" | 1-1/4" |
| BUCM2434.5   |           |                   |                 | —     |         | —     | —    | —      | 1.5           | 1.7  | 2.1    |
| BUCM2734.5   |           |                   |                 | —     |         | —     | —    | —      | 1.7           | 2.0  | 2.3    |
| BUCM3034.5   |           |                   |                 | —     |         | —     | —    | —      | 1.9           | 2.2  | 2.6    |

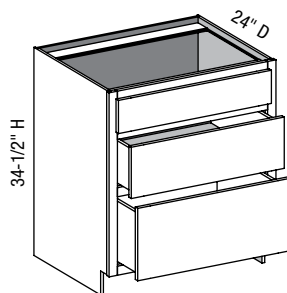
**BIUCM/CSBIUCM - Built-In Under Counter Microwave**


Custom Size Ranges  
 Width: 24"– 36"  
 Height: 31-1/2"– 42"  
 Depth: 12", 15", 18",  
 21", 24", 27", 30"

| D | DF | DB | EXT | EXP | FL | WS | MI | FT |
|---|----|----|-----|-----|----|----|----|----|
|   | 1  | 1  | ✓   | ✓   | ✓  |    | ✓  | ✓  |

- Microwave opening is 13" high, width is 6" less than cabinet width.
- Microwave opening is trimmable to 5" in height and 3" in width.
- For 34-1/2" high cabinets, top opening height is 13".
- When height changes, upper opening height changes. Lower opening height fixed at 8".
- 12", 15", 27" and 30" cabinet depths are available with TANDEM slides only.
- No shelf support holes.

| Cabinet Code | Advantage |                   |                 |       | Essence | Doors |      |        | Drawer Fronts |      |        |
|--------------|-----------|-------------------|-----------------|-------|---------|-------|------|--------|---------------|------|--------|
|              | Price     | Exposed End (ea.) | Flush End (ea.) | Shelf | Price   | Inset | 1/2" | 1-1/4" | Inset         | 1/2" | 1-1/4" |
| BIUCM2734.5  |           |                   |                 | —     |         | —     | —    | —      | 1.3           | 1.6  | 1.9    |
| BIUCM3034.5  |           |                   |                 | —     |         | —     | —    | —      | 1.5           | 1.8  | 2.1    |
| BIUCM3334.5  |           |                   |                 | —     |         | —     | —    | —      | 1.6           | 1.9  | 2.3    |
| BIUCM3634.5  |           |                   |                 | —     |         | —     | —    | —      | 1.8           | 2.1  | 2.5    |

**BR3D/CSBR3D - Base Range Three Drawer**


Custom Size Ranges  
 Width: 30"– 39"  
 Height: 31-1/2"– 34-1/2"  
 Depth: 12", 15", 18",  
 21", 24", 27", 30"

| D | DF | DB | EXT | EXP | FL | WS | MI | FT |
|---|----|----|-----|-----|----|----|----|----|
|   | 3  | 2  | ✓   | ✓   | ✓  |    | ✓  | ✓  |

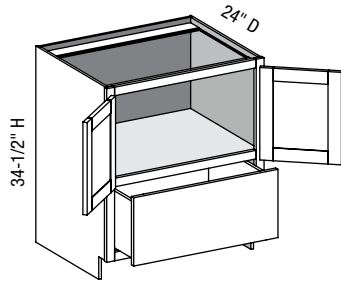
- False top drawer front.
- When height changes, lower opening height changes. Upper drawer opening heights fixed at 5" and 8".
- 12", 15", 27" and 30" cabinet depths are available with TANDEM slides only.
- No shelf support holes.

| Cabinet Code | Advantage |                   |                 |       | Essence | Doors |      |        | Drawer Fronts |      |        |
|--------------|-----------|-------------------|-----------------|-------|---------|-------|------|--------|---------------|------|--------|
|              | Price     | Exposed End (ea.) | Flush End (ea.) | Shelf | Price   | Inset | 1/2" | 1-1/4" | Inset         | 1/2" | 1-1/4" |
| BR3D2434.5   |           |                   |                 | —     |         | —     | —    | —      | 1.5           | 1.7  | 2.1    |
| BR3D3034.5   |           |                   |                 | —     |         | —     | —    | —      | 1.9           | 2.2  | 2.6    |

**Options Key:** D=Number of Doors DF=Number of Drawer Fronts DB=Drawer Boxes EXT=Extended Stiles EXP=Exposed End(s)  
 FL=Flush End(s) WS=Solid Wood Shelves MI=Matching Interior FT=Flush Toe



**BCT/CSBCT - Base Cook Top w/Butt Doors**



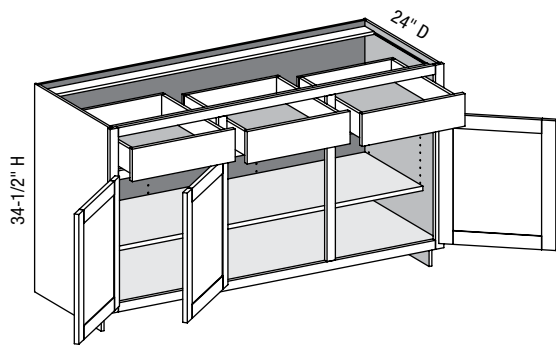
Custom Size Ranges  
Width: 30"– 42"  
Height: 31-1/2"– 42"  
Depth: 12", 15", 18",  
21", 24", 27", 30"

| D | DF | DB | EXT | EXP | FL | WS | MI | FT |
|---|----|----|-----|-----|----|----|----|----|
| 2 | 1  | 1  | ✓   | ✓   | ✓  |    | ✓  | ✓  |

- When height changes, upper opening height changes. Lower opening height fixed at 11-1/2".
- 12", 15", 27" and 30" cabinet depths are available with TANDEM slides only.

| Cabinet Code | Advantage |                   |                 |       | Essence | Doors |      |        | Drawer Fronts |      |        |
|--------------|-----------|-------------------|-----------------|-------|---------|-------|------|--------|---------------|------|--------|
|              | Price     | Exposed End (ea.) | Flush End (ea.) | Shelf | Price   | Inset | 1/2" | 1-1/4" | Inset         | 1/2" | 1-1/4" |
| BCT3034.5BD  |           |                   |                 | —     |         | 2.6   | 3.0  | 3.2    | 2.1           | 2.4  | 2.8    |
| BCT3334.5BD  |           |                   |                 | —     |         | 2.9   | 3.3  | 3.5    | 2.3           | 2.7  | 3.1    |
| BCT3634.5BD  |           |                   |                 | —     |         | 3.2   | 3.6  | 3.9    | 2.6           | 3.0  | 3.4    |
| BCT3934.5BD  |           |                   |                 | —     |         | 3.5   | 4.0  | 4.2    | 2.8           | 3.2  | 3.7    |
| BCT4234.5BD  |           |                   |                 | —     |         | 3.8   | 4.3  | 4.5    | 3.0           | 3.5  | 4.0    |

**B/CSB3D3D - Base Three Door Three Drawer**



Custom Size Ranges  
Width: 48"– 72"  
Height: 31-1/2"– 42"  
Depth: 12", 15", 18",  
21", 24", 27",  
30"

| D | DF | DB | EXT | EXP | FL | WS | MI | FT |
|---|----|----|-----|-----|----|----|----|----|
| 3 | 3  | 3  | ✓   | ✓   | ✓  |    | ✓  | ✓  |

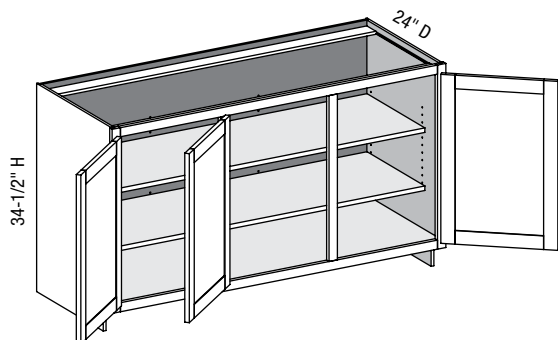
- Additional shelf holes are provided in cabinet back to support wide shelves.
- Doors hinged on center stile require 1/2" overlay hinges for 1-1/4" or 1-3/8" overlay.
- When height changes, lower opening height changes. Drawer opening height fixed at 5".
- 12", 15", 27" and 30" cabinet depths are available with TANDEM slides only.

| Cabinet Code | Advantage |                   |                 |       | Essence | Doors |      |        | Drawer Fronts |      |        |
|--------------|-----------|-------------------|-----------------|-------|---------|-------|------|--------|---------------|------|--------|
|              | Price     | Exposed End (ea.) | Flush End (ea.) | Shelf | Price   | Inset | 1/2" | 1-1/4" | Inset         | 1/2" | 1-1/4" |
| B5134.5      |           |                   |                 | —     |         | 6.6   | 7.3  | 7.9    | 1.6           | 1.9  | 2.1    |
| B5434.5      |           |                   |                 | —     |         | 7.0   | 7.8  | 8.5    | 1.6           | 2.1  | 2.2    |
| B5734.5      |           |                   |                 | —     |         | 7.4   | 8.3  | 9.0    | 1.8           | 2.2  | 2.4    |
| B6034.5      |           |                   |                 | —     |         | 7.8   | 8.7  | 9.4    | 1.9           | 2.4  | 2.5    |
| B6334.5      |           |                   |                 | —     |         | 8.3   | 9.2  | 9.9    | 2.0           | 2.5  | 2.7    |
| B6634.5      |           |                   |                 | —     |         | 8.7   | 9.6  | 10.4   | 2.1           | 2.6  | 2.8    |
| B6934.5      |           |                   |                 | —     |         | 9.2   | 10.1 | 11.0   | 2.2           | 2.7  | 2.9    |
| B7234.5      |           |                   |                 | —     |         | 9.6   | 10.5 | 11.3   | 2.3           | 2.9  | 3.1    |

**Options Key:** D=Number of Doors DF=Number of Drawer Fronts DB=Drawer Boxes EXT=Extended Stiles EXP=Exposed End(s)  
FL=Flush End(s) WS=Solid Wood Shelves MI=Matching Interior FT=Flush Toe



**BFD/CSBFD2CS - Base Full Door w/Two Center Stiles**



Custom Size Ranges  
 Width: 48"– 72"  
 Height: 10"– 42"  
 Depth: 5-1/2"– 30"

| D | DF | DB | EXT | EXP | FL | WS | MI | FT |
|---|----|----|-----|-----|----|----|----|----|
| 3 |    |    | ✓   | ✓   | ✓  |    | ✓  | ✓  |

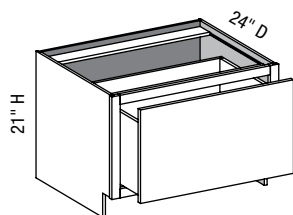
- Additional shelf holes are provided in cabinet back to support wide shelves.
- Doors hinged on center stile require 1/2" overlay hinges for 1-1/4" or 1-3/8" overlay.
- 10"– 22" high has no shelves.
- 22-1/16"– 28" high has 1 shelf.
- 28-1/16"– 40" high has 2 shelves.
- 40-1/16"– 48" high has 3 shelves.

6

Base Cabinets

| Cabinet Code | Advantage |                   |                 |       | Essence | Doors |      |        | Drawer Fronts |      |        |
|--------------|-----------|-------------------|-----------------|-------|---------|-------|------|--------|---------------|------|--------|
|              | Price     | Exposed End (ea.) | Flush End (ea.) | Shelf | Price   | Inset | 1/2" | 1-1/4" | Inset         | 1/2" | 1-1/4" |
| BFD5134.5    |           |                   |                 | —     |         | 10.6  | 11.7 | 12.5   | —             | —    | —      |
| BFD5434.5    |           |                   |                 | —     |         | 11.9  | 12.4 | 13.3   | —             | —    | —      |
| BFD5734.5    |           |                   |                 | —     |         | 12.0  | 13.1 | 14.1   | —             | —    | —      |
| BFD6034.5    |           |                   |                 | —     |         | 12.8  | 13.9 | 14.8   | —             | —    | —      |
| BFD6334.5    |           |                   |                 | —     |         | 13.5  | 14.6 | 15.6   | —             | —    | —      |
| BFD6634.5    |           |                   |                 | —     |         | 14.1  | 15.3 | 16.3   | —             | —    | —      |
| BFD6934.5    |           |                   |                 | —     |         | 14.9  | 16.0 | 17.1   | —             | —    | —      |
| BFD7234.5    |           |                   |                 | —     |         | 15.6  | 16.7 | 17.9   | —             | —    | —      |

**B1D/CSB1D - Base One Drawer**



Custom Size Ranges  
 Width: 12"– 36"  
 Height: 12"– 21"  
 Depth: 12", 15", 18",  
 21", 24", 27", 30"

| D | DF | DB | EXT | EXP | FL | WS | MI | FT |
|---|----|----|-----|-----|----|----|----|----|
| 1 | 1  |    | ✓   | ✓   | ✓  |    |    | ✓  |

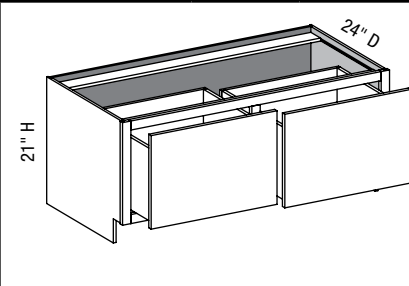
- When height changes, drawer box height changes proportionately.
- 12", 15", 27" and 30" cabinet depths are available with TANDEM slides only.
- No shelf support holes.

| Cabinet Code | Advantage |                   |                 |       | Essence | Doors |      |        | Drawer Fronts |      |        |
|--------------|-----------|-------------------|-----------------|-------|---------|-------|------|--------|---------------|------|--------|
|              | Price     | Exposed End (ea.) | Flush End (ea.) | Shelf | Price   | Inset | 1/2" | 1-1/4" | Inset         | 1/2" | 1-1/4" |
| B1D1221      |           |                   |                 | —     |         | —     | —    | —      | 0.8           | 1.0  | 1.3    |
| B1D1521      |           |                   |                 | —     |         | —     | —    | —      | 1.2           | 1.4  | 1.7    |
| B1D1821      |           |                   |                 | —     |         | —     | —    | —      | 1.5           | 1.7  | 2.0    |
| B1D2121      |           |                   |                 | —     |         | —     | —    | —      | 1.8           | 2.0  | 2.3    |
| B1D2421      |           |                   |                 | —     |         | —     | —    | —      | 2.0           | 2.3  | 2.7    |
| B1D2721      |           |                   |                 | —     |         | —     | —    | —      | 2.3           | 2.6  | 3.0    |
| B1D3021      |           |                   |                 | —     |         | —     | —    | —      | 2.6           | 2.9  | 3.4    |
| B1D3321      |           |                   |                 | —     |         | —     | —    | —      | 2.9           | 3.2  | 3.7    |
| B1D3621      |           |                   |                 | —     |         | —     | —    | —      | 3.2           | 3.5  | 4.0    |

**Options Key:** D=Number of Doors DF=Number of Drawer Fronts DB=Drawer Boxes EXT=Extended Stiles EXP=Exposed End(s)  
 FL=Flush End(s) WS=Solid Wood Shelves MI=Matching Interior FT=Flush Toe



**B1D/CSB1DCS - Base One Drawer w/Center Stile**



Custom Size Ranges  
Width: 30"– 48"  
Height: 12"– 21"  
Depth: 12", 15", 18",  
21", 24", 27", 30"

| D | DF | DB | EXT | EXP | FL | WS | MI | FT |
|---|----|----|-----|-----|----|----|----|----|
|   | 2  | 2  | ✓   | ✓   | ✓  |    |    | ✓  |

- When height changes, drawer box height changes proportionately.
- 12", 15", 27" and 30" cabinet depths are available with TANDEM slides only.
- No shelf support holes.

| Cabinet Code | Advantage |                   |                 |       | Essence | Doors |      |        | Drawer Fronts |      |        |
|--------------|-----------|-------------------|-----------------|-------|---------|-------|------|--------|---------------|------|--------|
|              | Price     | Exposed End (ea.) | Flush End (ea.) | Shelf | Price   | Inset | 1/2" | 1-1/4" | Inset         | 1/2" | 1-1/4" |
| B1D3921      |           |                   |                 | —     |         | —     | —    | —      | 3.4           | 3.8  | 4.3    |
| B1D4221      |           |                   |                 | —     |         | —     | —    | —      | 3.6           | 4.1  | 4.7    |
| B1D4521      |           |                   |                 | —     |         | —     | —    | —      | 3.9           | 4.4  | 5.0    |
| B1D4821      |           |                   |                 | —     |         | —     | —    | —      | 4.2           | 4.7  | 5.4    |