



Wood Feet

Square Taper Foot

| Specie | Part No. | Whole | Split |
|-------------|----------|-------|-------|
| Cherry* | 2650623A | | |
| Maple | 2650624A | | |
| Paint Grade | 2655751A | | |
| Red Oak | 2650625A | | |

Square Taper Foot

| Specie | Part No. | Whole | Split |
|-------------|----------|-------|-------|
| Cherry* | 2650629A | | |
| Maple | 2650630A | | |
| Paint Grade | 2655753A | | |
| Red Oak | 2650631A | | |

Albion Square Foot

| Specie | Part No. | Whole |
|-------------|----------|-------|
| Cherry* | 2652630A | |
| Maple | 2652631A | |
| Paint Grade | 2652632A | |
| Red Oak | 2652633A | |

Albion Square Foot

| Specie | Part No. | Whole |
|-------------|----------|-------|
| Cherry* | 2652635A | |
| Maple | 2652636A | |
| Paint Grade | 2652637A | |
| Red Oak | 2652638A | |

Hobart Square Foot

| Specie | Part No. | Whole |
|-------------|----------|-------|
| Cherry | 2652474A | |
| Maple | 2652475A | |
| Paint Grade | 2652476A | |

*Alder available, price as Cherry.

Standard lead-time is 7-10 days. Expedites available: 3 day red expedite (20% upcharge) and 5 day blue expedite (10% upcharge).



Wood Feet (continued)

Kennett Square Foot

| Specie | Part No. | Whole |
|-------------|----------|-------|
| Cherry | 2655800A | |
| Maple | 2655801A | |
| Paint Grade | 2655802A | |

Bailey Square Foot

| Specie | Part No. | Whole |
|-------------|----------|-------|
| Cherry* | 2652625A | |
| Maple | 2652626A | |
| Paint Grade | 2652627A | |
| Red Oak | 2652628A | |

Kreswick Foot

| Specie | Part No. | Whole |
|-------------|----------|-------|
| Cherry* | 2653057A | |
| Maple | 2653058A | |
| Paint Grade | 2653059A | |
| Red Oak | 2653060A | |

Harlow Square Foot

| Specie | Part No. | Whole |
|-------------|----------|-------|
| Cherry | 2652640A | |
| Maple | 2652641A | |
| Paint Grade | 2652642A | |
| Red Oak | 2652643A | |

Harlow Square Plain

| Specie | Part No. | Whole |
|-------------|----------|-------|
| Cherry* | 2655643A | |
| Maple | 2655644A | |
| Paint Grade | 2655645A | |
| Red Oak | 2655646A | |

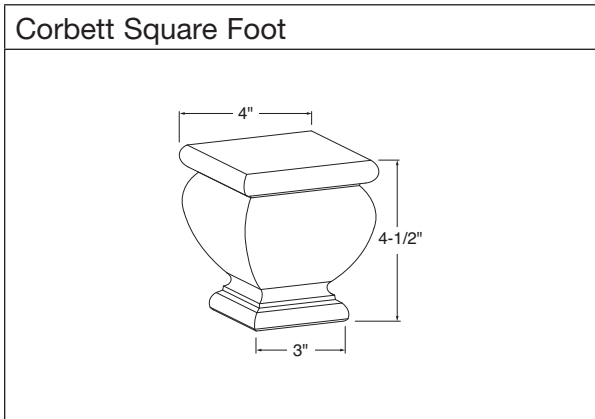
Shaker Square Foot

| Specie | Part No. | Whole |
|-------------|----------|-------|
| Cherry* | 2655628A | |
| Maple | 2655629A | |
| Paint Grade | 2655630A | |
| Red Oak | 2655631A | |

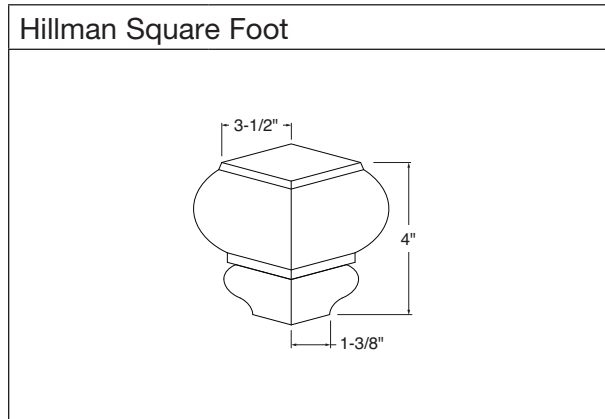
*Alder available, price as Cherry.
Standard lead-time is 7-10 days, expedites not available.



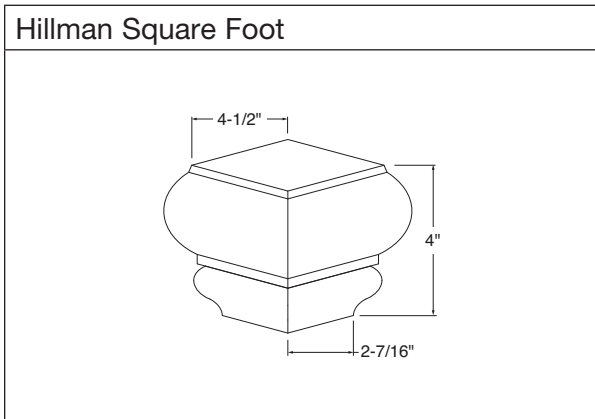
Wood Feet (continued)



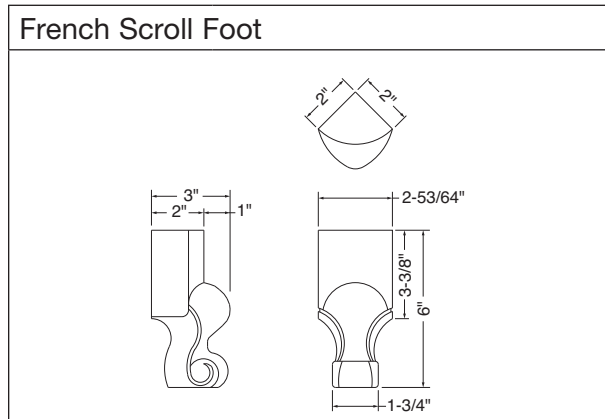
| Specie | Part No. | Whole |
|-------------|----------|-------|
| Cherry* | 2655648A | |
| Maple | 2655649A | |
| Paint Grade | 2655650A | |
| Red Oak | 2655651A | |



| Specie | Part No. | Whole |
|-------------|----------|-------|
| Cherry* | 2652615A | |
| Maple | 2652616A | |
| Paint Grade | 2652617A | |
| Red Oak | 2652618A | |



| Specie | Part No. | Whole |
|-------------|----------|-------|
| Cherry* | 2652620A | |
| Maple | 2652621A | |
| Paint Grade | 2652622A | |
| Red Oak | 2652623A | |

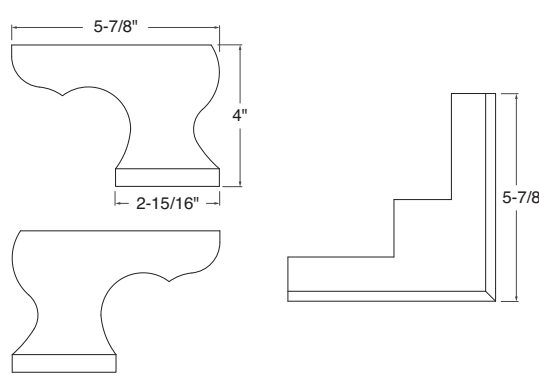


| Specie | Part No. | Whole |
|--------|------------|-------|
| Cherry | 634.27.616 | |
| Maple | 634.27.116 | |

*Alder available, price as Cherry.
Standard lead-time is 7-10 days, expedites not available.
Custom Products | Summer 2021

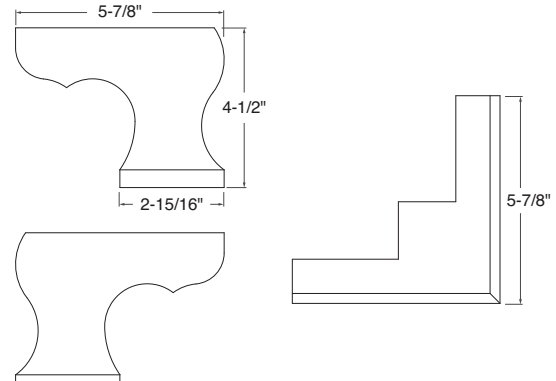
Wood Feet (continued)

Rochelle Foot (Corner)



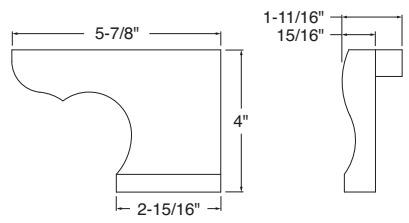
| Specie | Part No. | Whole |
|-------------|----------|-------|
| Cherry | 2652480A | |
| Maple | 2652481A | |
| Paint Grade | 2652482A | |

Rochelle Foot (Corner)



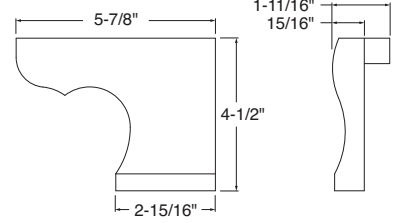
| Specie | Part No. | Whole |
|-------------|----------|-------|
| Cherry | 2652477A | |
| Maple | 2652478A | |
| Paint Grade | 2652479A | |

Rochelle Straight Foot (Left & Right)



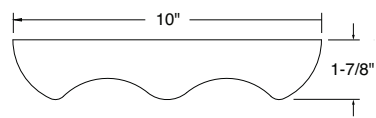
| Specie | Part No. | Price per pair |
|-------------|----------|----------------|
| Cherry | 2652517A | |
| Maple | 2652518A | |
| Paint Grade | 2652519A | |

Rochelle Straight Foot (Left & Right)



| Specie | Part No. | Price per pair |
|-------------|----------|----------------|
| Cherry | 2652514A | |
| Maple | 2652515A | |
| Paint Grade | 2652516A | |

Rochelle Moulding



| Specie | Part No. | Whole |
|-------------|----------|-------|
| Cherry* | 2651000A | |
| Maple | 2651001A | |
| Paint Grade | 2655561A | |

*Alder available, price as Cherry.
 Standard lead-time is 7-10 days, expedites not available.

Wood Feet (continued)

Tulip Foot

| Specie | Part No. | Whole | Split |
|-------------|----------|-------|-------|
| Cherry* | 2650563A | | |
| Maple | 2650564A | | |
| Paint Grade | 2655547A | | |
| Red Oak | 2650565A | | |

Tulip Foot

| Specie | Part No. | Whole | Split |
|-------------|----------|-------|-------|
| Cherry* | 2650569A | | |
| Maple | 2650570A | | |
| Paint Grade | 2655549A | | |
| Red Oak | 2650571A | | |

Country French Foot

| Specie | Part No. | Whole | Split |
|-------------|----------|-------|-------|
| Cherry* | 2650551A | | |
| Maple | 2650552A | | |
| Paint Grade | 2655735A | | |
| Red Oak | 2650553A | | |

Country French Foot

| Specie | Part No. | Whole | Split |
|-------------|----------|-------|-------|
| Cherry* | 2650557A | | |
| Maple | 2650558A | | |
| Paint Grade | 2655737A | | |
| Red Oak | 2650559A | | |

Estate Foot Plain

| Specie | Part No. | Whole | Split |
|-------------|----------|-------|-------|
| Cherry* | 2650587A | | |
| Maple | 2650588A | | |
| Paint Grade | 2655741A | | |
| Red Oak | 2650589A | | |

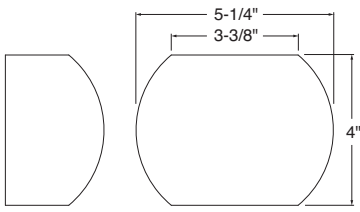
Estate Foot Reeded

| Specie | Part No. | Whole | Split |
|-------------|----------|-------|-------|
| Cherry* | 2650599A | | |
| Maple | 2650600A | | |
| Paint Grade | 2655745A | | |
| Red Oak | 2650601A | | |

*Alder available, price as Cherry.
 Standard lead-time is 7-10 days. Expedites available: 3 day red expedite (20% upcharge) and 5 day blue expedite (10% upcharge).

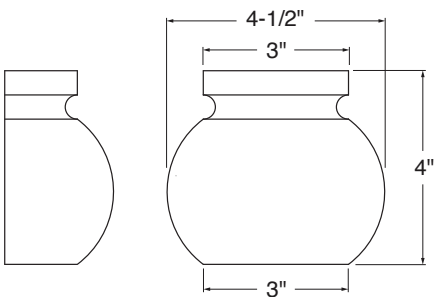
Wood Feet (continued)

Bun Foot



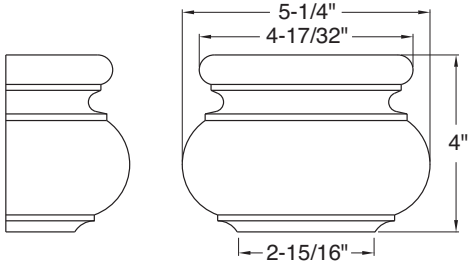
| Specie | Part No. | Whole | Split |
|-------------|----------|-------|-------|
| Cherry* | 2650581A | | |
| Maple | 2650582A | | |
| Paint Grade | 2655739A | | |
| Red Oak | 2650583A | | |

Orwell Foot



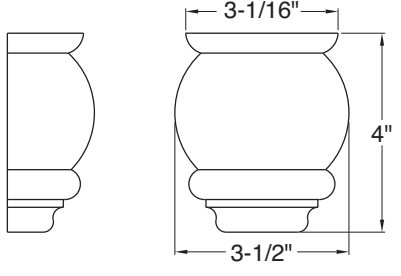
| Specie | Part No. | Whole | Split |
|-------------|----------|-------|-------|
| Cherry | 2652419A | | |
| Maple | 2652420A | | |
| Paint Grade | 2652421A | | |
| Red Oak | 2652422A | | |

Cosmopolitan Foot



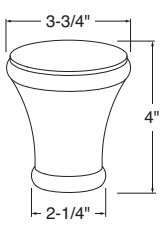
| Specie | Part No. | Whole | Split |
|-------------|----------|-------|-------|
| Cherry* | 2650611A | | |
| Maple | 2650612A | | |
| Paint Grade | 2655747A | | |
| Red Oak | 2650613A | | |

Countryside Foot



| Specie | Part No. | Whole | Split |
|-------------|----------|-------|-------|
| Cherry* | 2650605A | | |
| Maple | 2650606A | | |
| Paint Grade | 2655551A | | |
| Red Oak | 2650607A | | |

Vessel Foot



| Specie | Part No. | Whole | Split |
|-------------|----------|-------|-------|
| Cherry* | 2652409A | | |
| Maple | 2652410A | | |
| Paint Grade | 2652411A | | |
| Red Oak | 2652412A | | |

*Alder available, price as Cherry.

Standard lead-time is 7-10 days. Expedites available: 3 day red expedite (20% upcharge) and 5 day blue expedite (10% upcharge).



Metal Feet



Ascent Foot

- Made from steel, laser cut, then hand welded.
- Choice of Gold, Gunmetal Grey, Raw Steel, Satin Nickel and Wrought Iron powder coated finishes.
- Available in 6" and 9" heights.
- Usable outdoors as well as indoors.
- Works well with free-standing cabinets. 9" feet make free standing cabinets ADA compliant.
- Sold as individual pieces – for a pair, must order two feet.

| Ascent Foot | | | | |
|---------------|----------|--------|----------|--------|
| Finish | 6" Foot | | 9" Foot | |
| | Part No. | Price* | Part No. | Price* |
| Gold | 2655922A | | 2655927A | |
| Gunmetal Grey | 2655923A | | 2655928A | |
| Wrought Iron | 2655926A | | 2655931A | |

*Price each.



Triframe Foot

- Made from steel, laser cut, then hand welded.
- Choice of Gold, Gunmetal Grey, Raw Steel, Satin Nickel and Wrought Iron powder coated finishes.
- Available in 6" and 9" heights.
- Usable outdoors as well as indoors.
- Works well with free-standing cabinets. 9" feet make free standing cabinets ADA compliant.
- Sold as individual pieces – for a pair, must order two feet.

| Triframe Foot | | | | |
|---------------|----------|--------|----------|--------|
| Finish | 6" Foot | | 9" Foot | |
| | Part No. | Price* | Part No. | Price* |
| Gold | 2655972A | | 2655977A | |
| Gunmetal Grey | 2655973A | | 2655978A | |
| Wrought Iron | 2655976A | | 2655981A | |

*Price each.