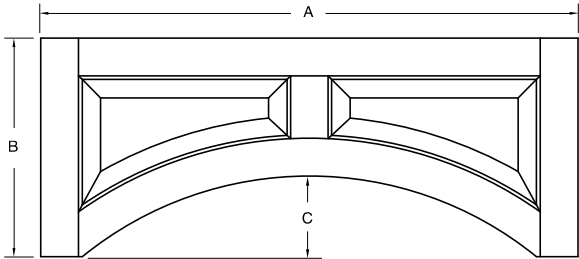


Custom Valances - Special Designs

Conestoga offers a wide variety of arched panel configurations and options. Valances illustrated on the following pages represent popular custom arched panel designs. The manufacturing of custom valances is based off of customer-supplied dimensioned drawings. **If any of the following illustrations below match the look you desire, please copy the appropriate page, designate the necessary dimensions and forward it to Customer Service.**

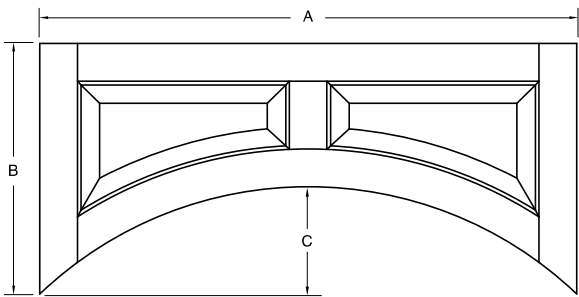
- Arched panel valances are available in most mortise and tenon and miter designs. Applied moulding designs, while commonly available, depend on the radius of the panel.
- Design options include, but are not limited to all published panel raises and framing beads, edge profiles, grooved panels, wide framing, and custom rise dimensions.
- A CAD drawing will be created prior to the manufacturing of any custom arched panel. After a review and sign off by the customer, the drawing must be returned to Special Designs in order for production to begin. Lead-time calculations will not begin until Conestoga has received an approved drawing.
- Framing widths will match door style selected unless otherwise noted by customer.
- Please provide all necessary dimensions when ordering.

Design Option A



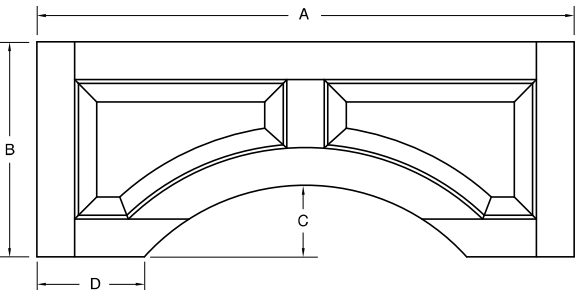
Sizes	
A	
B	
C	
Grain Direction	
Vertical	Horizontal

Design Option B



Sizes	
A	
B	
C	
Grain Direction	
Vertical	Horizontal

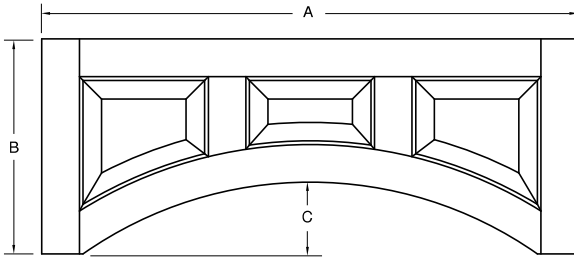
Design Option C



Sizes	
A	
B	
C	
D	
Grain Direction	
Vertical	Horizontal

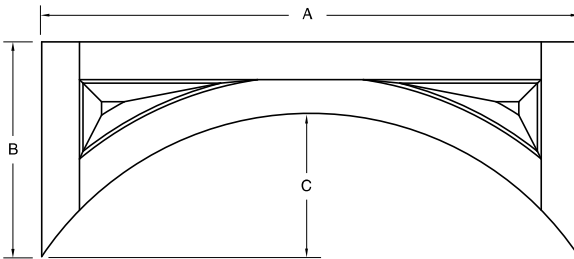
Custom Valances - Special Designs (continued)

Design Option D



Sizes	
A	
B	
C	
Grain Direction	
Vertical	Horizontal

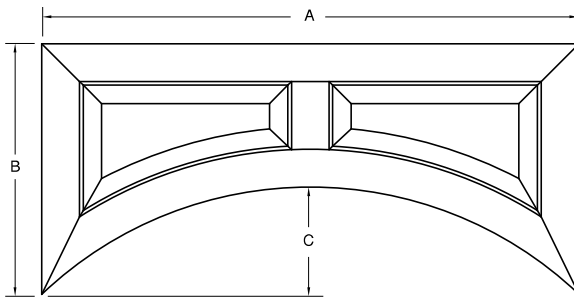
Design Option E (horizontal grain only)



Sizes	
A	
B	
C	

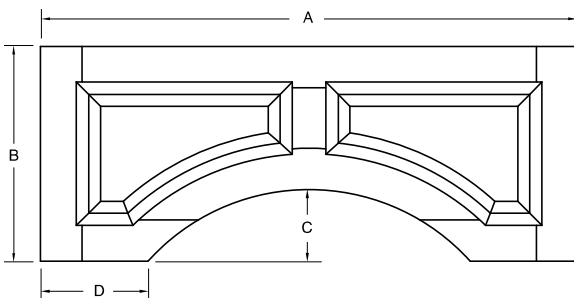
Horizontal grain direction only.

Design Option F



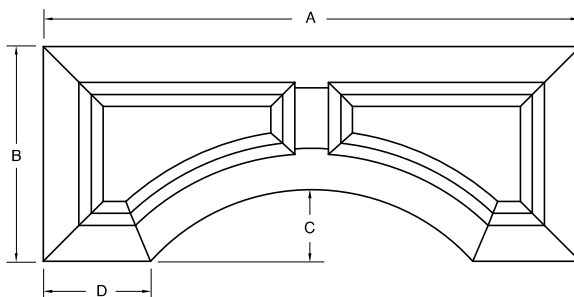
Sizes	
A	
B	
C	
Grain Direction	
Vertical	Horizontal

Design Option G (applied moulding)



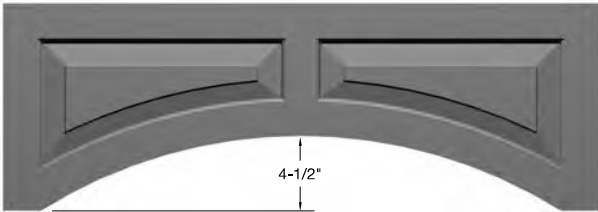
Sizes	
A	
B	
C	
D	
Grain Direction	
Vertical	Horizontal

Design Option H (available with or without applied moulding)



Sizes	
A	
B	
C	
D	
Grain Direction	
Vertical	Horizontal

Standard Arched Valances



Arched Valance
 Valances 30" to 48" – Design Charge
 Valances 51" to 72" – Design Charge

- Standard Arched Raised Panel Valances are available in three inch wide increments from 30" to 72" only.
- Minimum size – 30" wide x 12-1/2" high. Maximum size – 72" wide x 30" high. Framing widths: 2-3/4" stiles, 2-5/16" rails, 2-1/2" center stile. The rise is always 4-1/2", regardless of valance width.
- Horizontal grain panels are standard, vertical grain is available with a list per valance upcharge.
- Design standard as shown. Individual designs, including applied moulding, must be ordered through Special Designs.

Offering And Availability	
Species	
Material Pricing Guide	All 3/4" and 1" species available except Rustic Knotty.
Edge Profiles	
pg 7.1	Machine Edge only.
Framing Beads	
pg 7.2	All 3/4" and 1" available.
Panel Raises	
pg 7.2A	All 3/4" and 1" available.
Options	
pgs 7.3-7.15	Available with pegs, distressing, cross grain sanding, wear sanding, putty pin holes, weathered grain and cut down in width only.

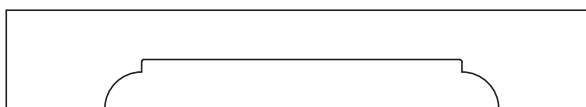
Standard 1-Piece Valances

- 1-Piece Valances are available in 4-1/2" to 6" heights except Traditional Arch which is available in 6" height only.
- 1-Piece Valance pricing is determined using design plus material calculations. See the drawings below to determine appropriate Design Charge. Calculate overall square footage of valances and refer to Category B of the specie desired in the Material Pricing Guide to determine Material Charge.



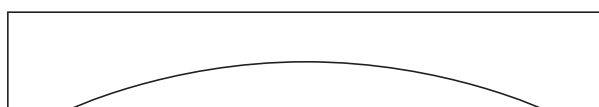
Classic Arch

Valances 21" to 60" – Design Charge
 Valances 60-1/16" to 96" – Design Charge



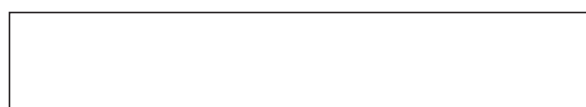
Elegant Arch

Valances 21" to 60" – Design Charge
 Valances 60-1/16" to 96" – Design Charge



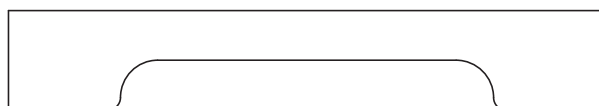
Roman Arch

Valances 12" to 60" – Design Charge
 Valances 60-1/16" to 96" – Design Charge



Straight

Valances 12" to 60" – Design Charge
 Valances 60-1/16" to 96" – Design Charge



Traditional Arch

Valances 16" to 60" – Design Charge Valances
 60-1/16" to 96" – Design Charge

Edge Profile Options

- Straight valance comes standard with Machine Edge, but is available with any edge profile. Specify which edges receive an edge profile, other than Machine Edge.
- Roman Arch valance and Traditional Arch valance come standard with Machine Edge. These valances are available with edge profiles: B-2, C-2, CFP-2, E-2, H-2, J-2, L-059, L-120, L-149, L-281, L-382, L-772, L-803, L-1160, LC-2, PRS-2, RC-2 and V-2. Specify which edges receive profiles other than Machine Edge.
- Classic Arch valance and Elegant Arch valance are available with a Machine Edge only.
- See matrix on next page to determine pattern related dimensions.

Standard 1-Piece Valances (continued)

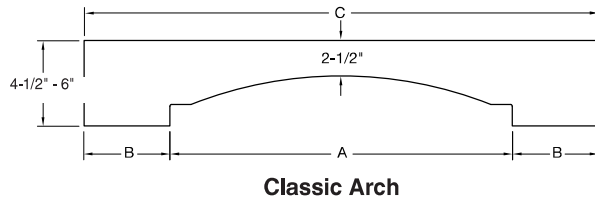
Valance Matrix Instructions

Use the matrix below to determine the specifications for patterned valances. Find the desired valance length in one of the C rows. The top number (white numbers in black) in the column with the desired length is the pattern length. The pattern will be centered on the valance.

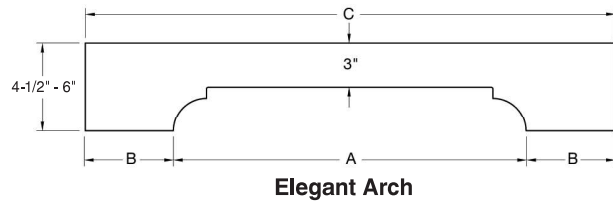
From the C block containing the desired overall valance length, the extreme right number in that row, which is under column B is the size of the flat areas on the left and right side of the pattern.

Example: If ordering a Traditional Arch valance with an overall length of 30" (dimension C), note that:

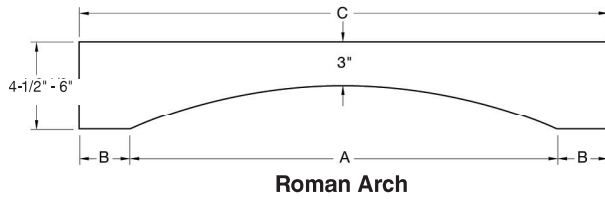
- 30" appears in the sixth C row, fourth column of the matrix.
- Referring to the top of the column, in row A, a pattern length of 19" will be found.
- Referring back to the 30" C row, at the right end of the row, in column B, flat areas of 5-1/2" on both the left and right ends of the valance will be found.
- The selected 30" valance will have a pattern 19" wide, centered on the valance, with 5-1/2" wide flat areas at both ends of the valance.



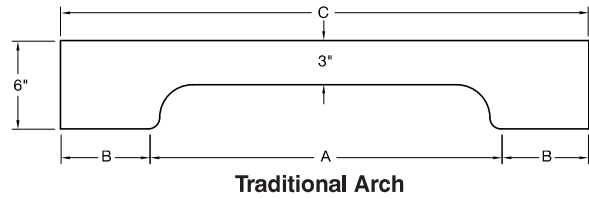
Classic Arch



Elegant Arch



Roman Arch



Traditional Arch

Valance Matrix											
A*	9"	11"	14"	19"	24"	30"	42"	54"	66"	78"	B
C	15"	17"									3"
C	16"	18"	21"	26"	31"	37"	49"	61"	73"	85"	3-1/2"
C		19"	22"	27"	32"	38"	50"	62"	74"	86"	4"
C		20"	23"	28"	33"	39"	51"	63"	75"	87"	4-1/2"
C			24"	29"	34"	40"	52"	64"	76"	88"	5"
C			25"	30"	35"	41"	53"	65"	77"	89"	5-1/2"
C					36"	42"	54"	66"	78"	90"	6"
C						43"	55"	67"	79"	91"	6-1/2"
C						44"	56"	68"	80"	92"	7"
C						45"	57"	69"	81"	93"	7-1/2"
C						46"	58"	70"	82"	94"	8"
C						47"	59"	71"	83"	95"	8-1/2"
C						48"	60"	72"	84"	96"	9"

*Note: Dimensions above are based on a 6" height. Any increment 1/2" or less round down to nearest measurement in row "A". Any increment 9/16" or greater round up to nearest measurement in row "A".

Slab Fillers



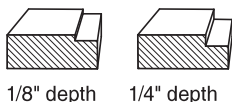
Slab Filler

- Slab fillers can be ordered in widths from 1-1/2" to 48" and heights from 4-1/2" to 96". Available in all 3/4" and 1" species.
- All 3/4" and 1" edge profiles are available.
- Slab fillers are available with pegs, radius corners, grooves, back-routed hand pulls, distressing, wear sanding and weathered grain.

1-Piece Design Upcharges

Width	Height			
	Minimum – 39-15/16"	40" – 54-15/16"	55" – 69-15/16"	70"+
Minimum – 11-15/16"	Design Charge	Design Charge	Design Charge +	Design Charge +
12" – 23-15/16"	Design Charge	Design Charge +	Design Charge +	Design Charge +
24"+	Design Charge	Design Charge +	Design Charge +	Design Charge +

Glass Shelves



1/8" depth 1/4" depth

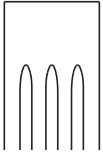
Grafton

8" x 12"
2" Framing

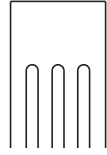
- Used in conjunction with a frame only door or a Wire Grille Insert.
- Allows light to flow through the entire cabinet, accentuating fine dinnerware, glassware or other collectibles.
- All 3/4" and 1" species available.
- Maximum size – 23-15/16" deep x 36" long.
- Edge profiles – defaults to machine edge on all 4 edges. Additional edge profiles include B-2, C-2, CFP-2, H-2, J-2, L-034, L-059, L-149, L-382, L-803, L-1160, LC-2 and PRS-2.
- Two framed options accept either 1/8" or 1/4" glass (glass not included).

Fluted Fillers

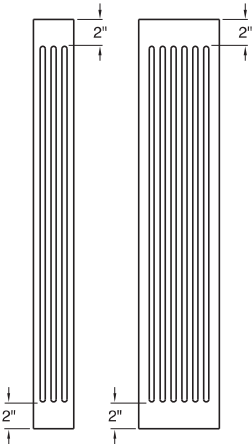
Tapered Flute



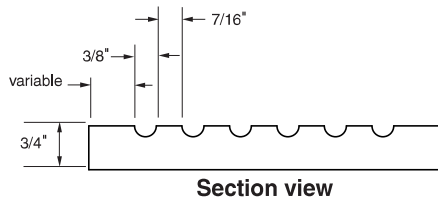
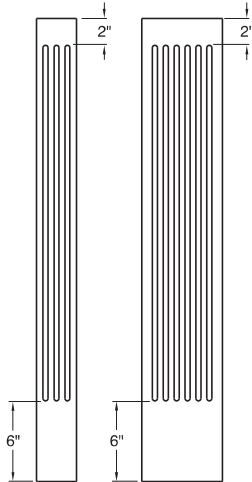
Rounded Flute



Wall



Base/Tail



- Fluted Fillers can be ordered in custom widths from 3" to 15-15/16" and heights up to 96" in all standard 3/4" species.
- Choose from either Tapered or Rounded flutes. If not specified, flutes will be produced using the Tapered design.
- Non-fluted or "flat" areas are design specific, but can be customized to meet your design needs. Simply specify the flat dimensions desired. Specify "Flats to measure 0" to extend flutes the entire length of filler.
- Fluted Filler pricing is determined using design plus material calculations. See the chart below to determine appropriate Design Charge. Calculate overall square footage of filler and refer to category B of the specie desired in the Material Pricing Guide to determine Material Charge.
- The number of flutes per filler width is indicated in the chart below. Custom flute spacing is available through Special Designs.

Fluted Filler Pricing

Filler Width	# Flutes	Under 60" in length	60" or greater in length
3" to 3-15/16"	3		
4" to 4-15/16"	4		
5" to 5-15/16"	5		
6" to 6-15/16"	6		
7" to 7-15/16"	7		
8" to 8-15/16"	9		
9" to 9-15/16"	10		
10" to 10-15/16"	11		
11" to 11-15/16"	12		
12" to 12-15/16"	14		
13" to 13-15/16"	15		
14" to 14-15/16"	16		
15" to 15-15/16"	17		

Edge Profile Options

- Fluted Fillers come standard with a Machine Edge, but can be ordered with a variety of edge profiles including B-2, C-2, LC-2, L-034, L-059, L-149, L-253, L-382, L-686, L-1160, PRS-2, RC-2 and V-2.
- Beveled edge profile selections include the L-991 (45 degree back bevel) and the L-423 (22-1/2 degree back bevel).
- Premium edge profiles include the L-297, L-304 and LC-Inset edge. Upcharge applies.

Wood Floating Shelves

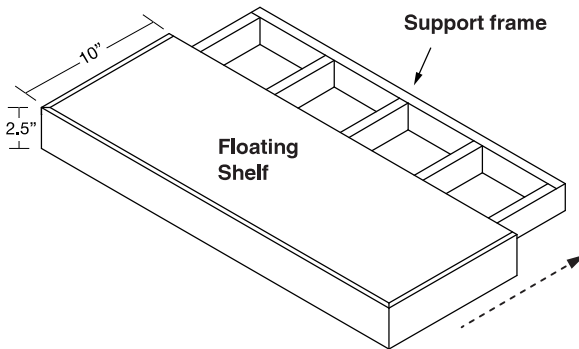
The Floating Shelf is a functional way to add style to the interior décor of kitchens, bathrooms and other living areas throughout a home. These shelves have a support frame that must be mounted securely to the studs in the wall, then the exterior portion of the shelf slides over the support frame to completely conceal the sub-structure. The result is an attractive, fashionable shelf to display pictures, dishware and other interior design accents.

Wood Floating Shelf, Beaded Floating Shelf and Crown Floating Shelf

- ◆ Available species include Cherry, Hard Maple, Paint Grade Hard Maple, Quarter Sawn White Oak, Red Oak and Walnut.
- ◆ The front and sides of the shelves are made from 3/4" solid hardwoods, mitered at the two front corners.
- ◆ The Beaded Floating Shelf includes a decorative bead on both the top and bottom of the front and side returns.
- ◆ The Crown Floating Shelf includes a modified crown moulding on the front and side returns.
- ◆ The shelf top and bottom is 3/8" thick plywood, matching the specie of the hardwood.
- ◆ Once the Floating Shelf is fully installed, it is recommended that the shelf be secured to the support frame using headless pins or small finishing nails so the shelf cannot inadvertently slide off of the support frame.
- ◆ Custom lengths available. Pricing rounded to next largest published size plus an additional.

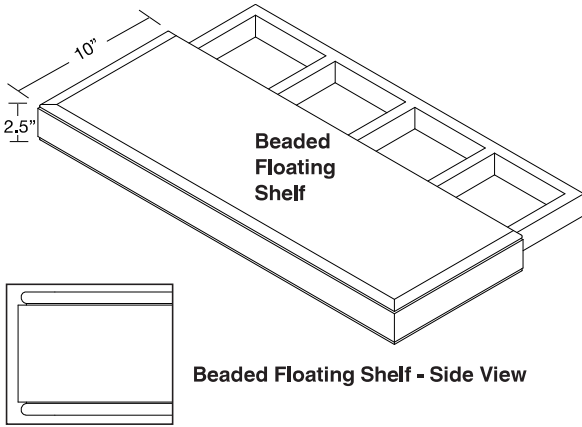
Support Frame

- ◆ Manufactured using 3/4" thick unselected hardwoods.
- ◆ It is imperative that Floating Shelves be mounted to two or more wall studs using four or more coarse thread screws at least 2-1/2" in length. The 60" Floating Shelf should be mounted to three or more studs.
- Maximum load capacity for the shelf and support frame is 10 lbs. per linear foot. While Floating Shelves are built from strong, sturdy materials, the load capacity of these shelves is dependent on upon the quality of the installation screws and whether the shelves are secured into the wall studs. If not secured into two or more studs using two or more high quality installation screws per stud, the shelf may not support the desired weight. Conestoga will not be responsible for shelf failure due to inadequate installation techniques or materials.
- All models of Wood Floating Shelves are available with primers, stains, Colourtones, Prism Paints and glazes.
- Finish pricing: Design Charge multiplier – 1.5x
Material Charge – actual sq. footage x 1.25

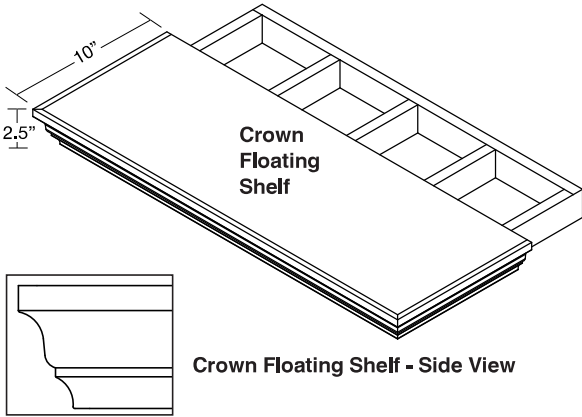


Floating Shelf (Includes Design & Material Charge)					
Specie	24" or 30"	36"	42"	48"	60"
Cherry					
Hard Maple					
PG Hard Maple					
QS White Oak					
Red Oak					
Walnut					

Wood Floating Shelves (continued)



Beaded Floating Shelf (Includes Design & Material Charge)					
Specie	24" or 30"	36"	42"	48"	60"
Cherry					
Hard Maple					
PG Hard Maple					
QS White Oak					
Red Oak					
Walnut					



Crown Floating Shelf (Includes Design & Material Charge)					
Specie	24" or 30"	36"	42"	48"	60"
Cherry					
Hard Maple					
PG Hard Maple					
QS White Oak					
Red Oak					
Walnut					

Alternative Material Floating Shelves

Stainless Floating Shelves

- ◆ A perfect complement of today's industrial, transitional and modern kitchens.
- ◆ Can be mounted between cabinets, at the end of a cabinet run, or free standing in any room of the home.

Support Frame

- ◆ The support frame consists of a wood mounting plate with protruding metal supports. The support frame must be secured to at least two wall studs using 3" coarse thread screws. The stainless shelf slides over the support frame, completely concealing it to provide the classic floating shelf appearance. Mounting instructions and installation screws are included.
- ◆ Maximum load capacity is 10 pounds per linear foot. While Floating Shelves are built from strong, sturdy materials, the load capacity of these shelves is dependent upon the quality of the installation screws and if the support frame is secured to the wall studs. If not secured into two or more studs using two 3" screws per stud, the shelf may not support the desired weight. Conestoga will not be responsible of shelf failure due to inadequate installation techniques or materials.



Stainless Steel Floating Shelf (Includes Design & Material Charge)				
Part Number	Length	Depth	Height	List Price
2200232A	24"	10"	2.5"	
2200233A	30"	10"	2.5"	
2200234A	36"	10"	2.5"	

Alternative Material Floating Shelves (continued)

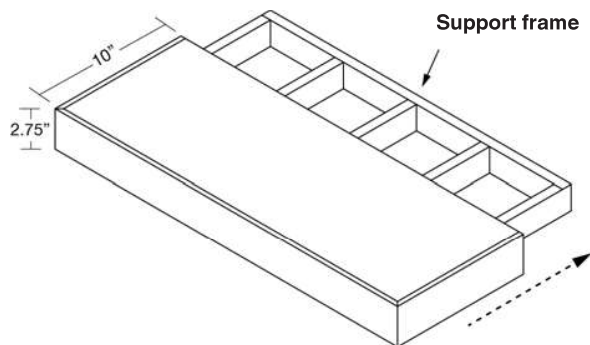
Super Matte Floating Shelves

- ◆ Available in select Super Matte colors – see pricing chart below.
- ◆ The front and sides of the shelf are made from 3/4" edgebanded material, mitered at the two front corners.
- ◆ The shelf top and bottom is 6mm thick Super Matte material.
- ◆ Once the Floating Shelf is fully installed, it is recommended that the shelf be secured to the support frame using headless pins, small screws or small finishing nails so the shelf cannot inadvertently slide off of the support frame.
- ◆ Custom lengths available - pricing rounded to next largest published size, plus an additional charge.

Support Frame

- ◆ Manufactured using 3/4" thick unselected hardwoods.
- ◆ It is imperative that Floating Shelves be mounted to two or more wall studs using four or more coarse thread screws at least 2-1/2" in length. The 60" Floating Shelf should be mounted to three or more studs.
- Maximum load capacity for the shelf and support frame is 10 pounds per linear foot. While Super Matte Floating Shelves are built from strong, sturdy materials, the load capacity of these shelves is dependent upon the quality of the installation screws and whether the shelves are secured into the wall studs. If not secured to two or more studs using two or more high quality installation screws per stud, the shelf may not support the desired weight. Conestoga will not be responsible for shelf failure due to inadequate installation techniques or materials.

Super Matte Floating Shelf						
Colors	24"	30"	36"	42"	48"	60"
Anthracite Matte, Black Matte, Light Grey Matte, White Matte						



Alternative Material Floating Shelves (continued)

Thermally Textured Surface Floating Shelves

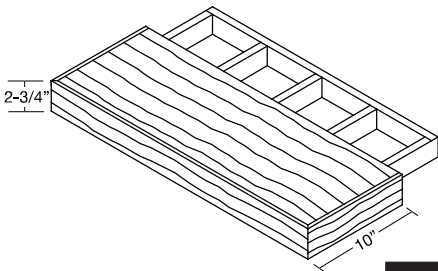
- ◆ Available in all Intrigue, Strata and Vogue TTS materials - see pricing charts below.
- ◆ The front and sides of the shelf are made from 3/4" banded TTS material, mitered at the two front corners.
- ◆ The shelf top and bottom is 8mm thick TTS material, except Intrigue which utilizes 1/4" material.
- ◆ Once the Floating Shelf is fully installed, it is recommended that the shelf be secured to the support frame using headless pins, small screws or small finishing nails so the shelf cannot inadvertently slide off of the support frame.
- ◆ Custom lengths available - pricing rounded to next largest published size, plus an additional charge.

Support Frame

- ◆ Manufactured using 3/4" thick unselected hardwoods.
- ◆ It is imperative that Floating Shelves be mounted to two or more wall studs using four or more coarse thread screws at least 2-1/2" in length. The 60" Floating Shelf should be mounted to three or more studs.
- Maximum load capacity for the shelf and support frame is 10 pounds per linear foot. While TTS Floating Shelves are built from strong, sturdy materials, the load capacity of these shelves is dependent on upon the quality of the installation screws and whether the shelves are secured into the wall studs. If not secured to two or more studs using two or more high quality installation screws per stud, the shelf may not support the desired weight. Conestoga will not be responsible for shelf failure due to inadequate installation techniques or materials.

Strata Floating Shelf						
Tier 1	24"	30"	36"	42"	48"	60"
Aspen Oak (LM67), Barn Oak (LN27), Bianco (BO11), Carbone (LM08), City Oak (LM69), Graphite (LG18), Oregon Pine (LK84), Palissandro (LK55), Swiss Almond (LM96), Vineyard Oak (LN30)						
Tier 3						
Burned (SO12), Cypress Point (SO13), Light Carbon (SO15), Nero (U129), Silver Sand (SO11)						

Vogue Floating Shelf						
Colors	24"	30"	36"	42"	48"	60"
Fresno Glacial (16N), Nogal Slow (5AE), Roble Aurora (98V), Roble Azabache (75V), Roble Colorado (97V), Roble Denver (84V), Roble Eternity (4AE), Roble Joplin (17N), Roble Stella (74V)						



Intrigue Floating Shelf						
Colors	24"	30"	36"	42"	48"	60"
Carbon Frozen Wood (H1292), Grey Vicenza Oak (H3158), Natural Carini Walnut (H3710), Stone Grey Frozen Wood (H1288), White Frozen Wood (H1290)						

Alternative Material Floating Shelves (continued)

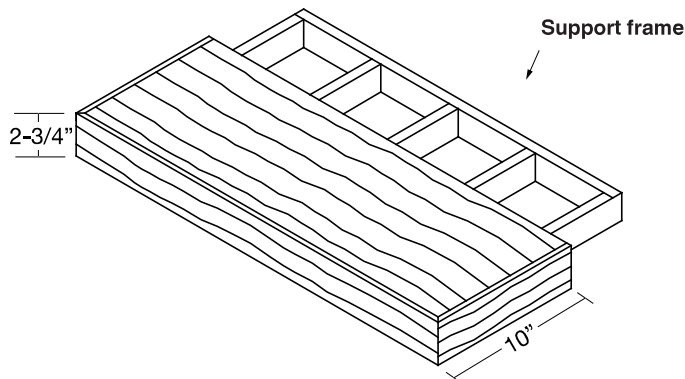
Decorative Laminate Veneer Floating Shelves

- ◆ Available in all Allure colors - see pricing chart below.
- ◆ The front and sides of the shelf are made from 3/4" banded DLV material, mitered at the two front corners.
 - ◆ Bright White and White Dove shelves are manufactured using 19mm DLV board; Canadian Grey, Monaco, Skye and White Chocolate shelves are manufactured using DLV center panel material sandwiched to 1/2" MDF, then edgebanded. Interior of sandwiched material is raw MDF.
- ◆ The shelf top and bottom utilizes DLV center panel material.
- ◆ Once the Floating Shelf is fully installed, it is recommended that the shelf be secured to the support frame using headless pins, small screws or small finishing nails so the shelf cannot inadvertently slide off of the support frame.
- ◆ Custom lengths available - pricing rounded to next largest published size, plus an additional charge.

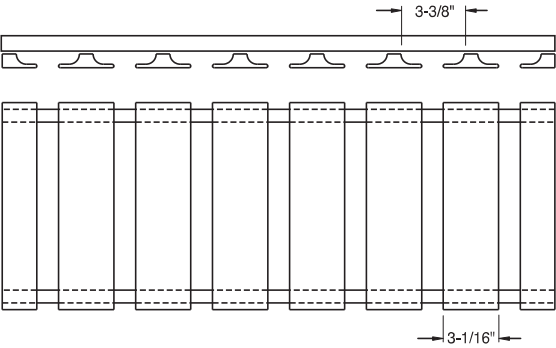
Support Frame

- ◆ Manufactured using 3/4" thick unselected hardwoods.
- ◆ It is imperative that Floating Shelves be mounted to two or more wall studs using four or more coarse thread screws at least 2-1/2" in length. The 60" Floating Shelf should be mounted to three or more studs.
- Maximum load capacity for the shelf and support frame is 10 pounds per linear foot. While DLV Floating Shelves are built from strong, sturdy materials, the load capacity of these shelves is dependent on upon the quality of the installation screws and whether the shelves are secured into the wall studs. If not secured to two or more studs using two or more high quality installation screws per stud, the shelf may not support the desired weight. Conestoga will not be responsible for shelf failure due to inadequate installation techniques or materials.

Allure DLV Floating Shelf						
Colors	24"	30"	36"	42"	48"	60"
Bright White						
White Dove						
Canadian Grey						
Monaco						
White Chocolate						
Skye						

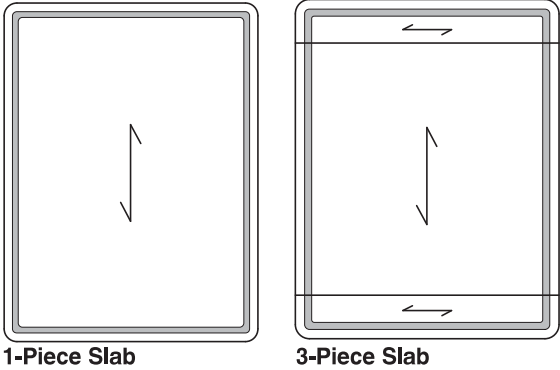


Stemware Holders



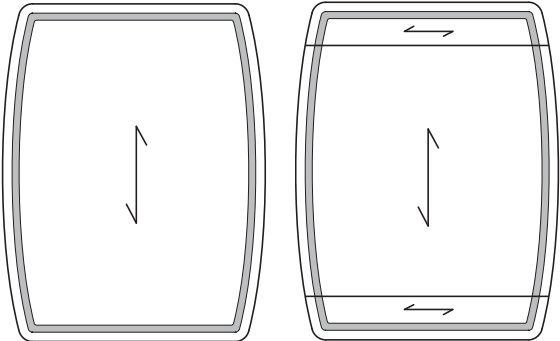
- Stemware holders are available in Cherry, Hard Maple and Red Oak.
- 30" (7 slots) or 36" (8 slots) lengths.
- Spacing between slats:
30" stemware holder – 1-1/8".
36" stemware holder – 1-3/8".
- Depth 11-1/4".
- Thickness 1-1/2".
- Accommodates most stemware styles.
- Available unfinished or finished. See the Finishing Program Section for pricing.

Custom Cutting Boards



1-Piece Slab

3-Piece Slab



1-Piece Barrel

3-Piece Barrel



Hand Pull - 1/4" deep, 3-1/2" long, 1/2" wide



Drip Groove - 5/32" deep

- Cutting boards are available in all published species except Rustic Knotty.
- All cutting boards utilize Category B Material Charge.
- Cutting boards available in 3/4" and 1" thickness.
- Minimum size for all styles is 10" x 10", maximum size is 18" x 22".
- All designs include 3/4" radius corners and 3/32" radius edges.
- 3-Piece designs are made using 2-5/16" wide rails on face (horizontal grain) with pinless construction.
- All cutting boards have a routed drip groove into the face of the board to collect liquids.
- No oils or finishing treatments will be applied by Conestoga.
- Care instructions for wood cutting boards:
 - ♦ Treat wood with butcher block oil or mineral oil only.
 - ♦ To clean, wipe with a mixture of warm water and a mild dish detergent. Never submerge cutting boards in water or place in dishwasher.
- Hand pull option on back of cutting board is available.
- Due to repetitive exposure to liquids, cutting boards will not be warranted against bowing, warping, splitting or twisting.

Please refer to pricing through Con-Nex, our online ordering program

Front Frame Specifications

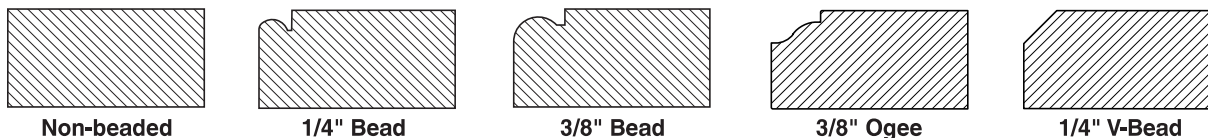
- Double dowel construction on standard width framing.
- Material will be Standard grade unless otherwise noted. Premium grade available, upcharges apply.
- Standard framing width is 1-1/2"; additional widths available, upcharges apply.
- 3/4" framing thickness standard; 1" thick material is available, upcharges apply.
- Minimum framing width 3/4"; 15/16" for front frames with an edge profile.
- Material surfaced on four sides.
- Assembled frames sanded on front only with 220 grit sandpaper.
- Maximum front frame sizes are 120" in one direction and 48" in the other direction. For example, a front frame can be ordered 48" x 120" or 120" x 48" but not 120" x 120".
- Framing wider than 4-1/2" may have one glue joint. Framing wider than 6-1/2" may have two glue joints.
- Minimum glue-in trimmable insert width is 1/2"; maximum glue-in trimmable insert width is 3".

Front Frame Tolerances

- A tolerance of +/- 1/32" is considered acceptable on front frame exterior and interior opening dimensions.
- A tolerance of +/- 1/16" out of square is considered acceptable on all front frames.
- 1/32" offset on frame back at any joint is considered acceptable.
- 1/64" offset at any exterior joint on the outside perimeter is considered acceptable.

Front Frame Ordering Information

- Conestoga's custom front frames can be ordered as beaded, non-beaded or profiled. To specify, check the appropriate box in the beaded area of the order form.



Non-beaded

1/4" Bead

3/8" Bead

3/8" Ogee

1/4" V-Bead

- Front frame exterior dimensions, interior opening dimensions and framing widths can be ordered to the nearest 1/16".
- On beaded orders, customers may select specific openings to be "non-beaded" by specifying the opening letter designation. Example: "Do not bead opening S."
- When ordering custom front frames for Conestoga Cabinet Systems, all framing and opening sizes must be specified by the customer. Only standard groove locations available.
- Front Frame Configuration Template Packet can be found on the Customer Business Portal. Contact Customer Service for sign on information or, request the Front Frame Configuration Template Packet.

Front Frame Pricing

Pricing Instructions

- Front frame pricing is based on the number of openings and the external frame perimeter.
- Use frame perimeter (linear inches) x specie price per linear inch. Use the appropriate column to determine the material price based on specie and the number of openings.
- Add the appropriate cost per opening charges from the chart below.

Cost per Opening	
First opening	
Additional openings, each	

Material Charge per Opening				
Specie	1 or 2	3 or 4	5 or 6	7 or 8
Alder				
Bamboo				
Birch, Red				
Birch, White*				
Cherry*				
Hickory*				
Maple, Hard*				
Paint Grade Hard Maple				
Maple, Soft				
Oak, Red*				
Oak, White*				
Pine, Knotty				
Walnut*				

Options Pricing	
Option	Additional Cost
Premium grade material (subject to availability)	
1" thick framing (Bamboo not available)	
Face and back sand	
Beaded inset framing (1/4" or 3/8" bead)	
Ogee or V-Bead framing	
Pre-fit inset door or drawer front	
Groove to fit Conestoga Cabinet Systems	
Edge profile around outside perimeter	
Glue-in trimmable inserts	
Cut Backs	
Roman shaped rails - non-beaded	
Beaded shaped rails available through Special Designs	Call for quote
Oversize front frame assembly Tier 1: 58" to 99-15/16" in width and height	
Oversize front frame assembly Tier 2: 100"+ in width or height	
Oversize front frame sanding (frames exceeding 48" in width or height)	
Unassembled front frames	No upcharge

*Indicates premium specie availability – upcharges apply.

Pricing Methodology for Finishing Custom Front Frames

Front frame Material Charges are calculated using the perimeter of the front frame multiplied by 4, and then divide the result by 144. Multiply the result by the applicable Material Charge. Add the appropriate number of Design Charges based on the number of front frame openings.

Example: 2 opening front frame 30" x 36" in Harvest Gold

Pricing for all parts will be based on design + material methodology using material charges from Conestoga's finishing program (see Finishing Program Section for Material and Design Charges).

Custom Front Frame Finishing	
Number of openings	Design Charge Multiplier
1	1
2 to 3	1.5
4 to 5	2
6 to 7	2.5
8+	3

Front Frame Pricing (continued)

Non-Standard Framing Widths	
Material Width	Upcharge per stile or rail
3/4" to 1-7/16"	
1-1/2"	no upcharge
1-9/16" to 5-15/16"	
6" to 7-7/16"	
7-1/2" and wider	




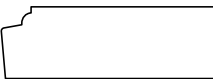

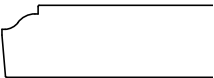
Front Frames Lead-Times			
Product	Standard Lead-Time	Expedite max. 6 frames	
		Code Red	Code Blue
Custom front frames	10	2	5
Options - additional working days			
Shaped rail	3	3	3
Pre-fit inset doors	2	2	2

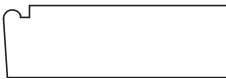

Non-standard frame configurations will be processed through Special Designs.

Orders containing products with different lead-times are given the longest lead-time date.

Inset Door and Drawer Front Information

- The following edge profile options are recommended for use with inset doors and drawer fronts.
- These edges have a 5 degree back bevel edge to ensure sufficient door clearance. Machine Edge and L-149 are available upon request at no additional upcharge.
- Front frames ordered with inset doors and drawer fronts will be pre-fit to the opening size. A 3/32" margin will be used on all sides for single doors and drawer fronts and between butt door pairs.

Standard Edge Profile Options	
 L-253	 L-686
 L-947	 L-967
 L-1117	 L-1120

Premium Prefit/Inset Edge Profiles
Additional charge per door or drawer front. (These 2 profiles require 2 additional working days.)
 L-304
 L-996

Design Exceptions

- The following door and drawer front styles are not available for inset applications due to their unique design characteristics: 1-1/8" Sandwich Drawer Front, #10 Drawer Front, 10141 Drawer Front, Alexandria, Aspen, AspenPP, Astoria, Aurora, Boulder, BoulderPP, CRP-1420, CRP-10191, CRP-10318, CRP-10334, CRP-10827, CRP-10875, CRP-10946, Fairhaven, Fargo, FargoPP, Hastings, Juno, Keystone Drawer Front, LaSalle, Marcel Drawer Front, Omaha, OmahaPP, Prestige, Rothbury, Rothsford, Savoy, Topeka, TopekaPP, TW-10827 and Venus.
- Alternative Material doors and drawer fronts are not available for inset applications, including Allure DLV, Intrigue TTS, Strata TTS, Vogue TTS, Synchronicity High Gloss and Super Matte products.
- Openings with trimmable inserts are not available beaded.
- L-253 and L-686 – only edge profiles available in MDF pre-fit products.
- Finished front frames are not available with antiquing or wear sanding.
- Distressed front frames will receive a modified distressing package.

Inset Door and Drawer Front Information (continued)

- Custom front frames that are ordered with Colourtones and glazes will receive the same hand glazed finishes as doors. Cabinet Systems parts that are ordered with Colourtones and glazes will be finished with the special Colourtones that have been tinted to match the Colourtones and glaze combination. They will not receive a hand rubbed glaze. Some options, such as Heirloom and Brushed glazes that are available on Custom front frames are not available on Cabinet Systems carcass.

Inset Option with Miter Designs Not Recommended

Only miter door designs with edge profile options are available with the inset option; however, miter designs are not recommended with the inset option. The following issues are associated with inset miter designs, and will not be considered defective:

- ◆ **Miter joint lines may not intersect door corner after pre-fit sanding.** This is not considered a defect as it is a necessary part of the pre-fit process to ensure the proper fit within the frame openings. This condition may not be pleasing to some customers.
- ◆ **Panel expansion caused by high humidity may cause miter doors to bind inside frame openings.** Although Conestoga's miter door joint construction is one of the most durable in the industry, high humidity will cause solid wood center panels to expand in width. This pressure can result in framing pushing outward and creating a "barrel" effect where the framing rubs against the front frame.
- ◆ If a miter design is selected, it is highly recommended that doors and drawer fronts be manufactured as 5-piece MDF, Hybrid products with MDF center panels or with plywood center panels. These materials will reduce the likelihood of product expansion and binding of inset doors within the front frame. While reducing the possibility of binding, expansion of solid wood framing can still occur and will not be considered defective.

1/8", 1/4" and 3/4" Plywood Program

- 1/8" thick sheet stock with Grade A face veneer applied over veneer core with sound back.
- 1/4" thick sheet stock with Grade A face and #1 back veneers applied over MDF core.
- 3/4" thick sheet stock with Grade A face veneer applied over veneer core with prefinished Natural Birch back, except where otherwise noted.
- 3/4" thick full sheets or cut-to-size panels over 96-1/16" up to 120" in length of Hard Maple/Hard Maple will have an MDF core.
- All 1/8", 1/4" and 3/4" sheet stock is available in full 4' x 8' sheets, with the exception of Hard Maple/Hard Maple which is also available in 4' x 10' sheets. All sheet stock including 4' x 10' material is also available as cut-to-size panels.
- Plywood finished in Colourtones may have pin marks and small scratches from drying racks, veneer checks, seam separation, glaze smudges, fingerprints, overspray and some dirt in topcoat. Such defects will be kept to a minimum, but are unavoidable when finishing large parts and will not be considered defective. 3/4" thick edges will not be finished unless edgeband has been applied.
- Lead-time 5 days cut-to-size, unfinished; 3 days for full sheets. Add 5-6 days for finishing.
- Additional sheet stock is available through Special Designs in common species, grades and thickness in single sheet minimums. Specify thickness, core type, specie (face and back), veneer grade (face and back) and veneer cut (face and back). Lead-times and pricing are subject to availability.
- Oversized packaging charge per item applies for large cut-to-size pieces or full 4' x 8' sheets of 1/8", 1/4" or 3/4" material. Oversize packaging parameters and conditions apply when the size exceeds 36" wide and 36" long, the size exceeds 48" wide or 84" long, or when a customer requests oversize packaging.

1/8", 1/4" and 3/4" Plywood Program (continued)

Pricing Instructions

- Multiply actual square footage of panel by the appropriate specie Material Charge.
- Add the \$7.00 Design Charge per panel and applicable options.

1/8" Plywood Panel Program		
Specie	Material Charge	Design Charge
Cherry		
Maple, Hard		

Options

- When ordering cut-to-size plywood, specify width, height and grain direction.
- Edgeband charges (3/4" plywood only):
 - ◆ .5mm edgeband 1 to 4 edges: \$12.00 per panel.
 - ◆ 2mm edgeband 1 to 4 edges: \$12.75 per panel.
 - ◆ For edgeband on specific edges of cut-to-size plywood, specify edges as follows: top, bottom, left, right or all edges.
- Grooving available (1/4" material only):
 - ◆ G-012, G-015 or G-056 groove profiles.
 - ◆ Spacing available in increments starting at 1/2" up to 4".
- Panel Grooving charges (per panel):
 - ◆ Up to 24" wide and 48" or under in length. Up to
 - ◆ 24" wide and over 48" in length.
 - ◆ Over 24" wide and 48" or under in length.
 - ◆ Over 24" wide and over 48" in length.
- Cut-to-size or full sheets of plywood also available finished; see Finishing Program Section for finish options and pricing.
- Colourtone finishes are available on Cherry, Hard Maple and Red Oak plywood only.

1/4" Plywood Panel Program		
Specie	Material Charge	Design Charge
Alder		
Bamboo, Caramelized		
Birch, Red		
Birch, White		
Cherry		
Hickory		
Maple, Hard		
MDF (Raw)		
Oak, Red		
Oak, White		
Oak, White, Quarter Sawn		
Oak, White, Rift Cut		
Walnut		

3/4" Plywood Panel Program		
Specie (Exterior/Interior)	Material Charge	Design Charge
Alder/Natural Birch (UV Finish, Veneer Core)		
Bamboo, Caramelized/Bamboo (Composite Core)		
Cherry/Cherry (Veneer Core)		
Cherry/Natural Birch (UV Finish, Veneer Core)		
Hard Maple/Hard Maple (Veneer Core)		
Hard Maple/Natural Birch (UV Finish, Veneer Core)		
MDF (Raw)		
Red Oak/Red Oak* (Veneer Core)		
Red Oak/Natural Birch* (UV Finish, Veneer Core)		
Rift Cut White Oak/Rift Cut White Oak (Composite Core)		
Walnut/Walnut (Composite Core)		

*Available with .5mm edgebanding only.

1/4" Short Grain Plywood Program

- 96" x 48" panel for island back or wall panel applications.
- Grain runs vertically in the 48" direction.
- 1/4" thick material with Grade A face veneers applied over MDF core with sound back.
- Available unfinished or finished; see Finishing Program Section for finish options and pricing.
- Lead-time 3 days unfinished, add 5-6 days for finishing.
- Oversize packaging fee of net applies.

1/4" x 96" x 48" Plywood Short Grain Panel		
Part #	Specie	Price
1600121A	Cherry	
1600122A	Maple, Hard	

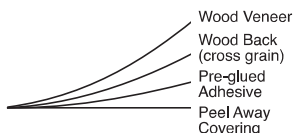
Veneers

11

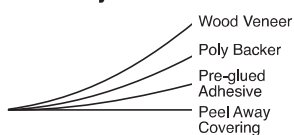
Specialty Products

- All veneers are approximately 1/32" thick and have real wood veneer faces.
- One end and one side of any veneer sheet is guaranteed to be free from physical damage.
- Wood back veneers have a cross grain wood backer which allows trim edges to be finished to reduce "black line" effect.
- Poly back veneers are applied to a polymer resin impregnated membrane. They contain no added urea formaldehyde (NAUF), are rigid yet pliable and provide excellent moisture resistance.
- Wood back and Poly back veneers are available with their applicable backer with an optional pressure sensitive adhesive (PSA) backer. PSA backed veneers have a pre-glued adhesive layer protected by a peel coat covering that must be removed prior to application.
- Phenolic Back veneers will be used in place of 48-1/4" x 96-1/2" Wood back or Poly back when ordered with Colortones, Prism Prints or primers. Upcharge applies.
- Veneers are not guaranteed to perfectly match solid wood doors. Veneer is sliced from premium material; color and grain match will be more uniform than solid wood doors. Hickory veneers may contain mineral streaks and peck marks.
- Proper surface conditions and preparation is essential to successful application and performance of veneered surfaces.
- Per manufacturer's recommendations, veneers of all backer types should be placed flat and allowed to acclimate 48 hours before installation.
- Pressure sensitive veneers should not be applied to bare wood or surfaces covered with sanding sealers, high pressure laminates, melamine or other plastic materials.
- Wood back and Poly back veneers are best applied with roller grade adhesives. Sufficient adhesive coverage on both the veneer and substrate surface will ensure proper adhesion and performance.
- Conestoga is not liable for product failure due to improper surface preparation, adhesive selection or installation technique.
- Finishing Option available. Stained veneers may vary slightly in color from solid wood products of the same specie. Finishing adds 5-6 days to standard lead-time.
- Conestoga does not accept returns of veneers.

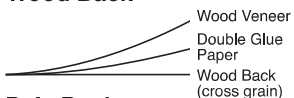
PSA Wood Back



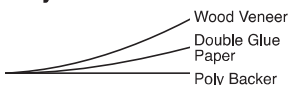
PSA Poly Back



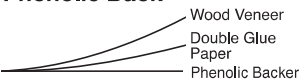
Wood Back



Poly Back



Phenolic Back



Specie	24" x 96" PSA Veneers		48-1/4" x 96-1/2" Veneers		
	Wood Back	Poly Back	Wood Back	Poly Back	Phenolic Back*
Alder	Yes	Yes	Yes	Yes	NA
Bamboo	Yes	Yes	Yes	Yes	NA
Birch, Red	Yes	Yes	Yes	Yes	NA
Birch, White	Yes	Yes	Yes	Yes	NA
Cherry	Yes	Yes	Yes	Yes	NA
Hickory	Yes	Yes	Yes	Yes	NA
Maple, Hard	Yes	Yes	Yes	Yes	Yes
Oak, Red	Yes	Yes	Yes	Yes	NA
Oak, White	Yes	Yes	Yes	Yes	NA
Pine, Knotty	Yes	Yes	Yes	Yes	NA
Oak, White, Quarter Sawn	Yes	Yes	Yes	Yes	NA
Oak, White, Rift Cut	No	No	Yes	No	NA
Walnut	Yes	Yes	Yes	Yes	NA

Stock item, 3 day lead-time. Non-Stock item, 10 day lead-time.

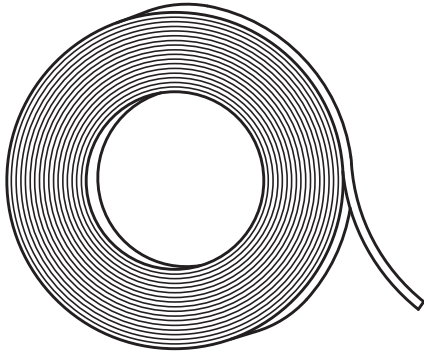
* Available with primers, Colourtone and Prism Paint finishes only.

**Please refer to pricing through Con-Nex,
our online ordering program**

Wood Edgeband Program

Conestoga offers 7/8" wide x 500' rolls of .5mm wood edgeband to complete your panel processing requirements. Select species are also offered in 250' rolls. See charts below for specie availability.

- Real wood veneer applied to an unglued fleece backer.
- Edgeband is not guaranteed to perfectly match solid wood doors or sheet stock. Veneer edgeband is sliced from premium material; color and grain match will be more uniform than solid wood doors.
- Edgeband will contain multiple splice joints which will not be considered a defect.
- Conestoga is not liable for product failure due to improper surface preparation, adhesive selection or installation technique.
- All Conestoga finishing options are available as outlined in the Finishing Program Section of this manual.
- Lead-time 5 days unfinished for stock species, add 5-6 days for finishing. Expedite lead-times not available.
- Conestoga does not accept returns of finished edgeband.
- See the Finishing Program Section for finish pricing.



500' Wood Edgeband	
Specie	Specie
Alder	Maple, Hard
Bamboo	Oak, Red
Birch, White	Oak, White
Cherry	Walnut
Hickory	

250' Wood Edgeband
Specie
Cherry
Maple, Hard

- Stock item 5 day lead-time.
- Non-stock item 15 day lead-time.

**Please refer to pricing through Con-Nex,
our online ordering program**

PVC Edgeband Program

Thermoplastic PVC Edgeband

- PVC edgeband rolls are 15/16" wide, 600' in length and .018" (.5mm) thick.
- Rolls of PVC edgeband are available in over 120 colors and grain patterns to match popular Conestoga finishes.
- The back side of the edgeband is coated with a bonding agent for superior adhesion when used with hot melt glues or solvent-based adhesives.
- PVC edgebands are impact resistant and perform well with cutting tools.
- The PVC edgebands listed provide a close match in appearance to the specie and finish referenced, however, due to color variations in wood substrates we cannot guarantee a perfect match. Some edgebands contain a slight texture and are identified with an asterisk in the chart. Edgeband finishes with two asterisks are 1mm thick and have a slight texture.
- Conestoga is not liable for product delamination or adhesion failure due to improper surface preparation, adhesive selection or installation technique.
- Full rolls only, partial rolls are not available through this program.
- Lead-time is 4 days, expedites not available.

Since Conestoga offers thousands of specie, finish and glaze combinations, customers may have a need for an edgeband not listed in our standard offering. In this case, Conestoga will attempt to work with our suppliers to see if an existing match can be identified. Since a sample chip of the specie/finish must be produced and shipped to the supplier, there will be a fixed charge for this exercise, regardless if a match is found or not.

Part #	Specie	Finish
Colourtones		
2602345A	Cherry	Crystal White w/Antiquing
2602347A	Cherry	Ebony
2602340A	Maple, Hard	Antique White
2602341A	Maple, Hard	Arctic White
2602422A	Maple, Hard	Cadet Grey
2602342A	Maple, Hard	Cadet Grey w/Onyx Pinstriping
2602343A	Maple, Hard	Chesapeake
2602344A	Maple, Hard	Crystal White
2602346A	Maple, Hard	Designer White
2602348A	Maple, Hard	Frosty White
2602423A	Maple, Hard	Frosty White w/Chai
2602349A	Maple, Hard	Frosty White w/Coffee
2602350A	Maple, Hard	Frosty White w/Oyster
2602351A	Maple, Hard	Frosty White w/Pewter
2602424A	Maple, Hard	Hearthstone Grey w/Coffee
2602425A	Maple, Hard	Regent Blue
Heirloom		
2602426A	Cherry	Cadet Grey w/Coffee
2602427A	Cherry	Crystal White w/Coffee
2602428A	Cherry	Ebony/Cordovan Accents
2602429A	Cherry	Hearthstone Grey w/Coffee
2602430A	Maple, Hard	Crystal White w/Coffee

Part #	Specie	Finish
Brushed Glaze		
2602431A	Maple, Hard	Crystal White w/Coffee
2602432A	Maple, Hard	Crystal White w/Pewter
2602430A	Maple, Hard	Hearthstone Grey w/Coffee
Wiping Stains		
2602435A	Alder	Autumn
2602436A	Alder	Autumn w/Brown
2602437A	Alder	Bordeaux
2602438A	Alder	Chestnut
2602439A	Alder	Colonial
2602440A	Alder	Colonial w/Sable
2602442A	Alder	Dark Roast
2602443A	Alder	Espresso
2602444A	Alder	Honey
2602445A	Alder	Honey w/Sable
2602446A	Alder	Natural
2602447A	Alder	Natural w/Brown
2602448A	Alder	Nickel
2602449A	Alder	Nickel w/White
2602450A	Alder	Nitefall
2602451A	Alder	Nutmeg
2602452A	Alder	Saddle
2602453A	Alder	Saddle w/Sable
2602454A	Alder	Washington Cherry

Please refer to pricing through Con-Nex,
our online ordering program

PVC Edgeband Program (continued)

Part #	Specie	Finish
Wiping Stains		
2602608A	Bamboo	Chestnut
2602609A	Bamboo	Driftwood
2602610A	Bamboo	Natural
2602611A	Bamboo	Nutmeg
2602612A	Bamboo	Espresso
2602352A	Cherry	Bordeaux
2602352A	Cherry	Bordeaux w/Sable*
2602354A	Cherry	Chestnut
2602356A	Cherry	Colonial
2602357A	Cherry	Colonial w/Sable
2602417A	Cherry	Dark Roast
2602358A	Cherry	Espresso
2602418A	Cherry	Ginger
2602359A	Cherry	Harvest Gold
2602360A	Cherry	Honey w/Sable
2602361A	Cherry	Natural
2602362A	Cherry	Natural w/Sable
2602363A	Cherry	Nickel w/Brown
2602364A	Cherry	Nitefall
2602419A	Cherry	Nutmeg
2602420A	Cherry	Portabella*
2602421A	Cherry	Portabella w/Brown*
2602365A	Cherry	Saddle
2602366A	Cherry	Saddle w/Sable*
2602367A	Cherry	Washington Cherry
2602472A	Hickory	Autumn
2602474A	Hickory	Chestnut
2602475A	Hickory	Colonial
2602476A	Hickory	Colonial w/Sable
2602477A	Hickory	Dark Roast*
2602478A	Hickory	Driftwood*
2603243A	Hickory	Ginger*
2602479A	Hickory	Honey w/Sable
2602480A	Hickory	Natural*
2602481A	Hickory	Natural w/Brown
2602482A	Hickory	Nickel
2602483A	Hickory	Nitefall
2602484A	Hickory	Nutmeg
2602485A	Hickory	Portabella
2602486A	Hickory	Saddle
2603242A	Hickory	Saddle w/Caramel

Part #	Specie	Finish
Wiping Stains		
2602951A	Hickory	Saddle w/Sable
2602368A	Maple, Hard	Bordeaux
2602369A	Maple, Hard	Bordeaux w/Sable
2602371A	Maple, Hard	Dark Roast
2602372A	Maple, Hard	Driftwood*
2602952A	Maple, Hard	Ebony
2602373A	Maple, Hard	Espresso
2602374A	Maple, Hard	Espresso w/Sable
2602376A	Maple, Hard	Portabella
2602377A	Maple, Hard	Portabella w/White
2602378A	Maple, Hard	Saddle
2602379A	Maple, Hard	Saddle w/Brown
2602380A	Maple, Hard	Washington Cherry
2602456A	Oak, Red	Alpine*
2602457A	Oak, Red	Autumn
2602458A	Oak, Red	Bordeaux
2602939A	Oak, Red	Chestnut*
2602941A	Oak, Red	Chestnut w/Onyx*
2602460A	Oak, Red	Dark Roast
2602461A	Oak, Red	Driftwood*
2602960A	Oak, Red	Driftwood w/Sable**
2602938A	Oak, Red	Espresso
2602463A	Oak, Red	Harvest Gold
2602464A	Oak, Red	Natural
2602942A	Oak, Red	Natural w/Caramel
2602940A	Oak, Red	Nutmeg
2602466A	Oak, Red	Portabella
2602943A	Oak, Red	Portabella w/Brown**
2602467A	Oak, Red	Portabella w/Pewter
2602468A	Oak, Red	Saddle
2602469A	Oak, Red	Saddle w/Brown
2602470A	Oak, Red	Saddle w/Sable*
2602471A	Oak, Red	Washington Cherry
2603251A	Walnut	Autumn w/Sable
2603249A	Walnut	Chestnut
2603248A	Walnut	Chestnut w/Sable
2603246A	Walnut	Colonial
2603247A	Walnut	Colonial w/Sable
2603253A	Walnut	Dark Roast
2603254A	Walnut	Espresso

*Textured **1MM & Textured

**Please refer to pricing through Con-Nex,
our online ordering program**

PVC Edgeband Program (continued)

Part #	Specie	Finish
Wiping Stains (continued)		
2603250A	Walnut	Natural
2603252A	Walnut	Natural w/Sable
2603244A	Walnut	Nickel
2603255A	Walnut	Nitefall
2603245A	Walnut	Saddle
2602946A	Oak, White	Colonial
2602947A	Oak, White	Driftwood
2602949A	Oak, White	Driftwood w/Sable**
2602944A	Oak, White	Espresso
2602948A	Oak, White	Natural
2602950A	Oak, White	Natural w/White
2602945A	Oak, White	Nitefall
Truetones		
2602487A	Cherry	Ashen w/Sable
2602489A	Cherry	Cocoa
2602490A	Cherry	Cocoa w/Sable
2602491A	Cherry	Shale w/Sable
2602492A	Maple, Hard	Ashen
2602493A	Maple, Hard	Ashen w/Brown
2602494A	Maple, Hard	Cocoa w/Sable
2602495A	Maple, Hard	Shale w/Oyster
2602496A	Maple, Hard	Shale w/Sable
2602497A	Maple, Hard	Sienna
2602498A	Oak, White	Ashen
2602499A	Oak, White	Ashen w/Brown
2602500A	Oak, White	Shale*
2602501A	Oak, White	Shale w/Sable

*Textured **1MM & Textured

Please refer to pricing through Con-Nex,
our online ordering program

3D Panels

3D Panels are a functional way to create built-in appearances, commonly used as refrigerator end panels, at the end of cabinet runs, a bridge above or beneath wall cabinets, and as island ends. All three panel models include inner supports to prevent panels bowing or cupping. 3D Panels up to 96" are made from 3/4" thick composite core plywood. Panels above 96" will be either composite core plywood or veneer core plywood. Species available are Plain Sliced Cherry, Hard Maple, Raw MDF, Rift Cut White Oak and Walnut.

Sizing

- Custom sizing is available to the nearest 1/16" in width, depth and height within program parameters.
- Minimum height for all models is 24", maximum standard height is 96" with vertical grain, maximum height for MDF is 96". Taller MDF heights available, but must be quoted through Special Designs. Additional lead-time required.

Pricing

- Calculate the actual square footage of the exposed/exterior side. Multiply the panel square footage by the appropriate specie list price. A 3 square foot minimum applies, regardless of actual size.
 - ◆ Cherry & Hard Maple – per square foot.
 - ◆ Rift White Oak & Walnut
 - ◆
- Multiply the total material cost established in the prior step by the model multiplier:
Box Panel - 2.2, J-Panel - 1.5, U-Panel - 2.0.

Pricing Example:

J-Panel, Hard Maple, 3" x 27" x 84".

Order Placement

- When placing order for any of the 3D Panel models, include the following dimensions:
 - ◆ Width of front panel (B side and/or D side).
 - ◆ Depth of exterior/exposed side panel (A side and/or C side).
 - ◆ Height of exterior/exposed side panel (A side and/or C side).
 - ◆ Vertical or horizontal grain direction.

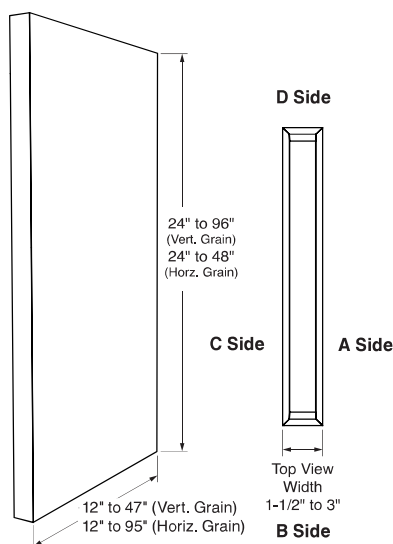
Program Features

- Specify vertical or horizontal grain. (maximum size perimeters vary by grain direction).
- Finish options – available unfinished or finished in all published specie/finish selections except Heirloom, Unitones, Brushed Glazes and Distressing.
 - ◆ Finishing charges follow Conestoga's design plus material pricing method.
 - A minimum of 3 square feet will be applied, regardless of actual size.
 - 3.00 to 6.00 square feet – 2x Design Charge plus actual square footage charge of the exterior panel.
 - 6.01 square feet to 10.00 square feet – 3x Design Charge plus the actual square footage charge of the exterior panel.
 - 10.01 square feet and greater – 4x Design Charge plus the actual square footage charge of the exterior panel.
- Internal supports in 3-D Panel ends and backs are positioned 1" in from edges to fit over cleats mounted to the floor, wall and/or ceiling.
- Lead-time is 10 business days unfinished. Add 5 to 6 days for finishing.
- Expedites are not available.

3D Panels (continued)

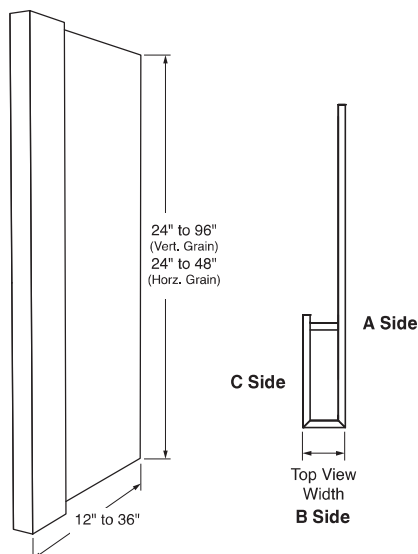
11

Specialty Products



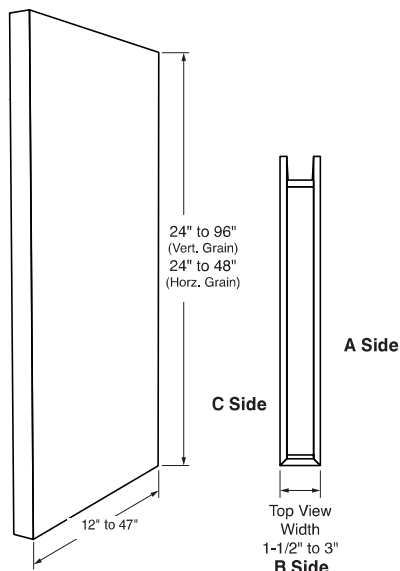
Box Panel

- Primarily used as island ends when both the front and back edges are exposed.
- Both ends of the Box Panel will be equal in width and height (B and D sides).
- Both side panels of the Box Panel will be equal in depth and height (A and C sides).
- Width range of front and back panels: 1-1/2" to 3" (B and D sides).
- Depth range of side panels: 12" to 47" (vertical grain). Horizontal grain depth range is 12" to 95" (A and C sides).
- Height range of side panels: 24" to 96" (vertical grain), 96" MDF. Veneered panels available 96-1/16" to 120" – additional lead-time required. Horizontal grain height range 24" to 48".



J-Panel

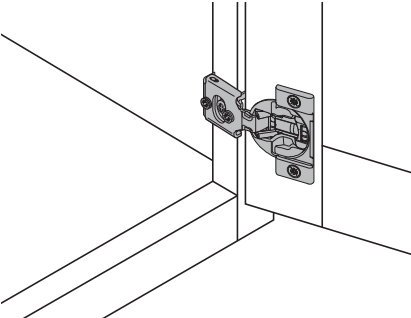
- Typically mounted against wall as base and refrigerator cabinet ends. Unfinished back edge must butt against a wall.
- The interior leg of the J-Panel (C side) is fixed at 8" depth, regardless of overall exterior panel depth.
- Width range of front panels 1-1/2" to 3" (B side).
- Depth range of side panel: 12" to 36" (A side).
- Height range of side panel: 24" to 96" (vertical grain), 96" MDF. Veneered panels available 96-1/16" to 120" – additional lead-time required. Horizontal grain height range 24" to 48".



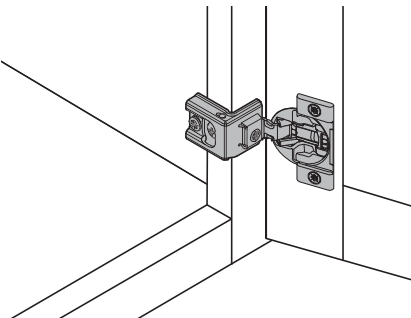
U-Panel

- Primarily used against wall, base and refrigerator ends as well as a bridge above or beneath wall cabinets to create a built in appearance. Unfinished back edges must butt against a wall.
- Both side panels of the U-Panel will be equal in depth and height (A and C sides).
- Width range of front panels 1-1/2" to 3" (B side).
- Depth range of side panel: 12" to 47" (A and C sides).
- Height range of side panels: 24" to 96" (vertical grain), 96" MDF. Veneered panels available 96-1/16" to 120" – additional lead-time required. Horizontal grain height range 24" to 48".

Blum COMPACT BLUMOTION Hinge Program



1/2" Overlay Hinge
COMPACT BLUMOTION 38N
105° opening angle



1-1/4" and 1-3/8" Overlay Hinge
COMPACT BLUMOTION 39C
110° opening angle

Blum Hinges with Integrated Soft Close

- One-piece steel, concealed, self closing hinges designed for use with 3/4" thick front frames.
- Available for 1/2", 1-1/4" and 1-3/8" overlays.
- Soft close feature is integrated in the hinge cup itself.
- Soft close function can be easily deactivated with a switch on individual hinges as needed based on the door size and weight.
- Hinges packed in pairs with mounting screws.
- All hinges feature side, height, and depth adjustment for fine tuning door spacing with wraparound face frame mounting for ease of installation.
- All hinges require Pattern A – Cup Only concealed hinge boring.
- COMPACT BLUMOTION hinges carry a limited lifetime warranty.
- Lead-time is 5 days.

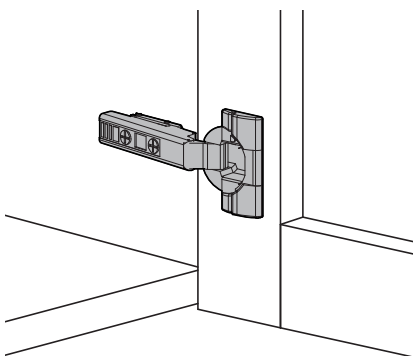
COMPACT w/Integrated BLUMOTION	
Part No.	Overlay
2100150A	1/2"
2100151A	1-1/4"
2100152A	1-3/8"

Integrated BLUMOTION Bulk Pack (50 hinges)	
Part No.	Overlay
2100153A	1/2"
2100154A	1-1/4"
2100155A	1-3/8"

Please refer to pricing through Con-Nex, our online ordering program

Blum Frameless Cabinetry Hinge Program

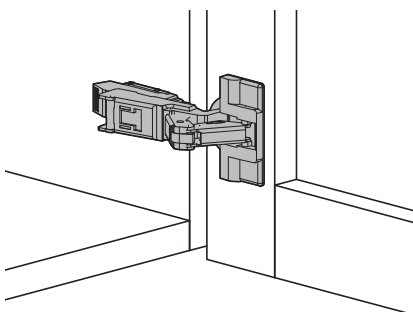
- Hinge and in-line mounting plate systems for standard, specialty and angled frameless cabinets.
- Soft close feature is integrated in the hinge cup itself unless otherwise noted.
- Soft close function can be easily deactivated with a switch on individual hinges as needed based on the door size and weight.
- Hinges packed in pairs with mounting plates and instructions.
- No screws required for hinge or mounting plate installation unless otherwise noted. Most hinges use cam style insert plugs.
- In-line mounting plates utilize 32mm system holes and are concealed behind the hinge arm when installed for a clean interior appearance.
- Hinge and mounting plate feature side to side, height and depth adjustment for fine tuning of door spacing.
- Hinges require Pattern B with Insert Holes concealed hinge boring unless otherwise noted.
- Blum hinges carry a limited lifetime warranty.
- Lead-time is 5 days.



CLIP top BLUMOTION 110° hinge
 EXPANDO in-line mounting plate

Blum INSERTA 110° Hinges

- Hinge and in-line mounting plate system for standard frameless wall, base and tall cabinetry. Will not work in angle or specialty frameless cabinetry.
- 110° opening angle.
- Part number: 2103574A.



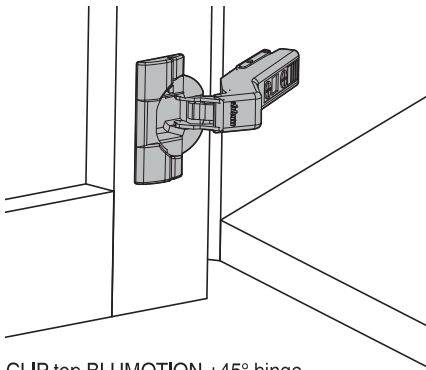
CLIP top 170° corner hinge
 EXPANDO in-line mounting plate

Blum INSERTA 170° Corner Hinges

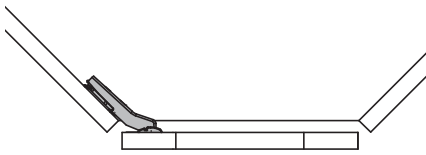
- Provides full access to corner cabinet interiors.
- 170° opening angle.
- Does not include soft close feature.
- INSERTA feature is not available on mounting plate. Kit includes installation screws.
- Part number: 2103575A.

**Please refer to pricing through Con-Nex,
 our online ordering program**

Blum Frameless Cabinetry Hinge Program (continued)



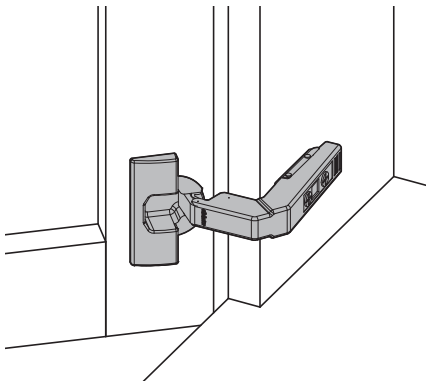
CLIP top BLUMOTION +45° hinge
EXPANDO in-line mounting plate



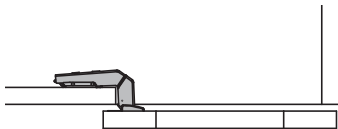
Top view

Blum INSERTA Positive +45° Angle Hinge

- Hinge and in-line mounting plate system for frameless diagonal corner or any angle cabinet with a 45° front.
- 110° opening angle.
- Part number: 2103581A.



CLIP top 95° Overlay Blind Corner hinge
EXPANDO in-line mounting plate



Top view

Blum INSERTA 95° Overlay Blind Corner Hinge

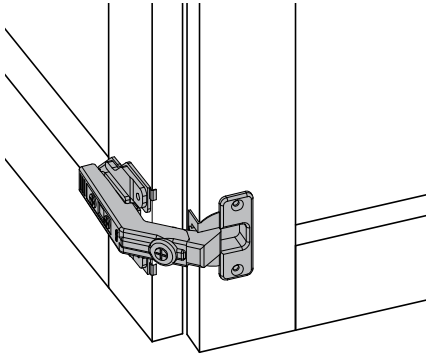
- Hinge and in-line mounting plate system for wall or base blind corner cabinets.
- 95° opening angle.
- Part number: 2103582A.

**Please refer to pricing through Con-Nex,
our online ordering program**

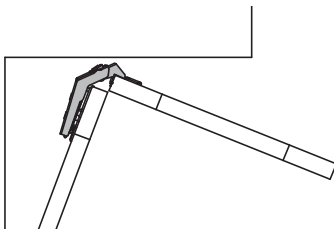
Blum Frameless Cabinetry Hinge Program (continued)

11

Specialty Products



CLIP top 60° Bi-Fold hinge
Frame adaptor mounting plate



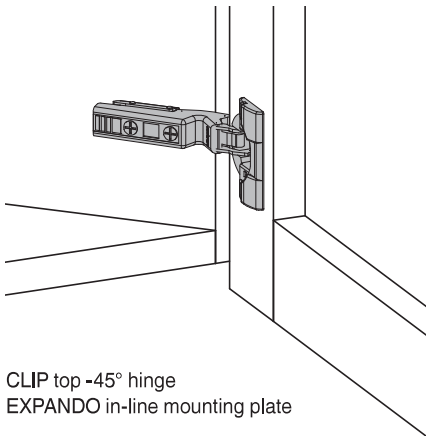
Top view

Blum 60° Bi-Fold Door Hinge

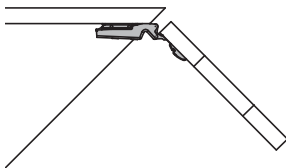
- Hinge and edge style mounting plate to join two doors in a bi-fold application.
- INSERTA installation feature is not available on hinge or mounting plates. Kit includes installation screws.
- Use with an 170° corner hinge on adjacent door (part number 2103575A).
- Does not include soft close feature.
- Requires Bi-Fold Hinge Bore without Insert Holes – See Section 7.
- 60° opening angle.
- Part number: 2103583A.

Blum INSERTA Negative -45° Hinge

- Hinge and in-line mounting plate system for frameless angle cabinets or cabinet hinging on the opposite side of a 45°.
- 110° opening angle.
- Part number: 2103584A.



CLIP top -45° hinge
EXPANDO in-line mounting plate



Top view

**Please refer to pricing through Con-Nex,
our online ordering program**

Blum AVENTOS Door Lift System Hardware

- Blum’s AVENTOS Door Lift Systems are available for hinge upward applications.
- AVENTOS HK models provide all the necessary hardware to install lift up door access for wall and tall cabinets. AVENTOS HK-XS models utilize conventional door hinges.
- Kits are designed to accommodate different door design types, weights and overlay options as well as for framed or frameless cabinet construction.
- All AVENTOS mechanisms have an integrated BLUMOTION soft close feature and include installation instructions and screws.

To determine which AVENTOS Lift System is suited for your particular application, two reference sources are available:

- ◆ A file containing our AVENTOS Lift System Calculator is provided on Conestoga’s Customer Business Portal under the Marketing Resources tab. Use this tool to calculate the weight of your door and select the appropriate lift kit for your application.
- ◆ Using the charts which correspond to the different AVENTOS models below, determine the weight of the door then calculate the Blum Power Factor required to adequately lift the door as follows:

Door Weight + (Handle/Pull Weight X 2) = Subtotal X Door Height = Power Factor
Specie and Door Weight reference chart applies to both HK-XS and HK lift systems

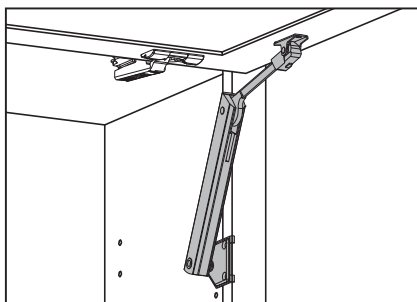
Specie & Door Design Weight (approx. weight of 1 sq. ft. 3/4" thick door)				
Specie (all grades)	Slab Design	TW-series Design	CRP-series Design	Frame Only*
Alder, Pine	1.6 lb.	1.2 lb.	1.5 lb.	1 lb.
Birch (Red, White)	2.8 lb.	2.1 lb.	2.6 lb.	1.7 lb.
Cherry	2.5 lb.	1.9 lb.	2.3 lb.	1.5 lb.
Maple (Hard, Soft)	2.9 lb.	2.1 lb.	2.7 lb.	1.8 lb.
Hickory	3.2 lb.	2.4 lb.	3 lb.	2 lb.
Allure DLV, High Gloss, MDF	2.4 lb.	1.8 lb.	NA	1.5 lb.
Pine	2 lb.	1.5 lb.	1.9 lb.	1.3 lb.
Red Oak	3 lb.	2.2 lb.	2.8 lb.	1.9 lb.
Intrigue, Strata, Vogue TTS	2.6 lb.	1.9 lb.	NA	1.6 lb.
Walnut	2.6 lb.	2 lb.	2.5 lb.	1.6 lb.
White Oak	3.1 lb.	2.3 lb.	2.9 lb.	1.9 lb.

*Does not include weight of glass.

Blum AVENTOS Door Lift System Hardware (continued)

11

Specialty Products

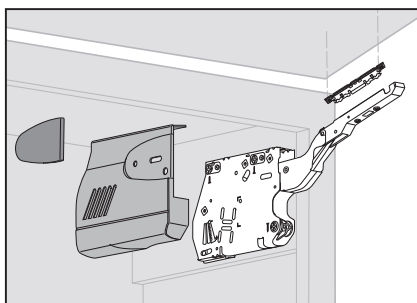


Blum AVENTOS HK-XS

- XS-Series utilize conventional hinges (not included).
- Units are symmetrical and can be installed on one or both sides.
- Cabinet heights from 9-1/2" to 24" and cabinet widths up to 72".
- Minimum interior depth required is 5".
- Four AVENTOS kits provide all the necessary hardware designed for different weight doors for both framed and frameless cabinet construction.

AVENTOS HK-XS Reference Chart

Power Factor (1 Lift)	Power Factor (2 Lifts)	Door Weight	Part No.
Framed Cabinet Construction			
17 – 84	34 – 124	Light	2103578A
113 – 180	225 – 336	Heavy	2103580A
Frameless Cabinet Construction			
17 – 84	34 – 124	Light	2103577A
113 – 180	225 – 336	Heavy	2103579A



Blum AVENTOS HK

- Simple, virtually tool free assembly and easy adjustment.
- Specifically designed for frameless wall and tall utility applications.
- Cabinet heights from 11-13/16" to 24" and cabinet widths to 72".
- Minimum cabinet interior depth required is 8-1/4".

AVENTOS HK Reference Chart

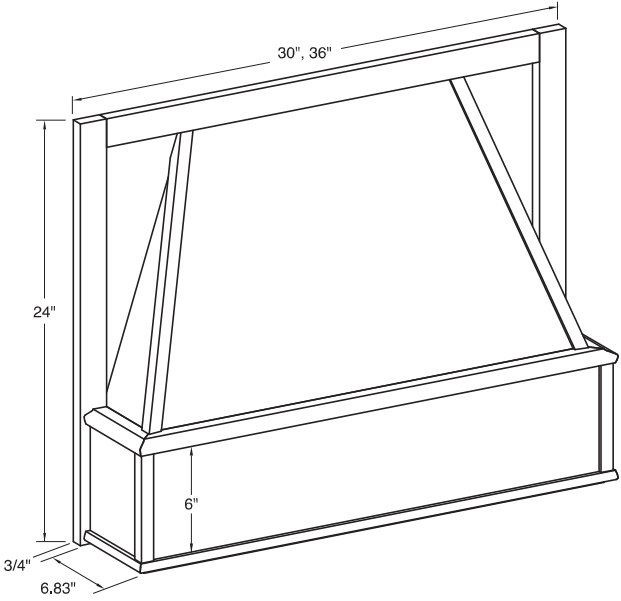
Power Factor	HK Kit Series	Part No.
43 – 99	2300	2100350A
100 – 174	2500	2100351A
175 – 349	2700	2100352A
350 – 792	2900	2100353A

AVENTOS Accessory Items

Description	Part No.
Mounting Hardware Set	2100354A
100° Restriction Clip	2100355A
75° Restriction Clip	2100356A

Please refer to pricing through Con-Nex,
our online ordering program

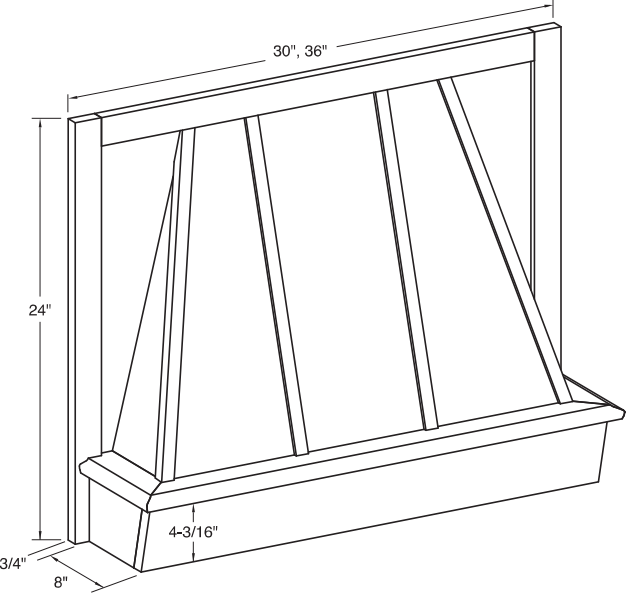
Entry Level Range Hoods



Select Range Hood

- Hood must be secured to adjacent cabinets.
- Manufactured from solid wood and wood veneers.
- Includes 24 gauge silver metallic liner.
- Liner accommodates the following Broan ventilators: 250CFM - RHVBF300SS
400CFM - RHVB400SS
Contact Omega National Products: (800) 533-8809.
- Lead-time 10 days unfinished, add 5-6 days for finishing.
- Available in Alder, Cherry, Hard Maple and Red Oak.
- **Custom sizes not available.**

Height	Available Sizes	
24"	30x24	36x24



Batten Select Range Hood

- Hood must be secured to adjacent cabinets.
- Manufactured from solid wood and wood veneers.
- Includes 24 gauge silver metallic liner.
- Liner accommodates the following Broan ventilators: 250CFM - RHVBF300SS
400CFM - RHVB400SS
Contact Omega National Products: (800) 533-8809.
- Lead-time 10 days unfinished, add 5-6 days for finishing.
- Available in Alder, Cherry, Hard Maple and Red Oak.
- **Custom sizes not available.**

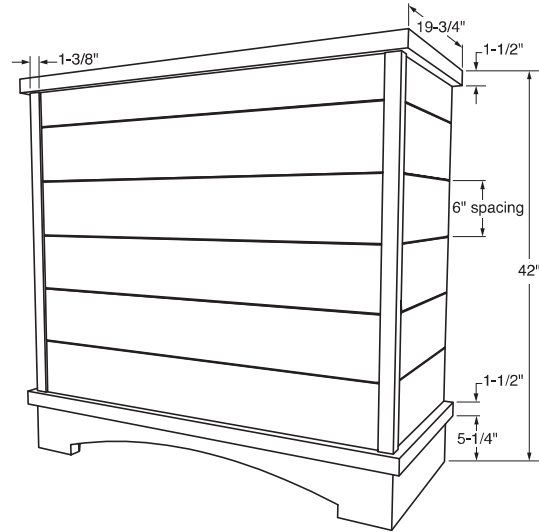
Height	Available Sizes	
24"	30x24	36x24

Please refer to pricing through Con-Nex, our online ordering program

Range Hoods

Straight Farmhouse Hood

- Shiplap wall-mounted hood with galvanized steel mounting bracket for easy installation.
- Manufactured from solid wood and veneer core plywood.
- Moulding at top of hood is attached with 6 screws allowing for easy removal if the top needs to be trimmed to height.
- Shiplap spaced at 6" intervals.
- Solid wood arched valance.
- 1-3/8" wood corner mouldings are shipped loose to allow for trimming to desired height.
- Includes silver metallic powder-coated liner.
- Liner accommodates the following Broan ventilators:
 - 250 CFM - RHVBF300SS
 - 400 CFM - RHVB400SS
 - 600 CFM - RHVB600SSV
- Contact Omega National Products: (800) 533-8809.
- Lead-time 15 days unfinished, add 5-6 days for finishing.
- Available in Alder, Cherry, Hard Maple, PGHM Hybrid* and Red Oak.
- **Custom sizes not available.**



Height	Available Sizes		
42"	36x42	42x42	48x42

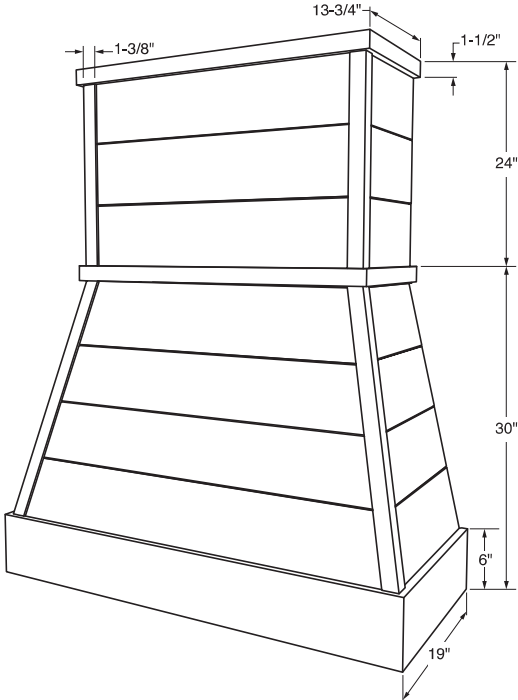
*MDF w/Maple mouldings.

Please refer to pricing through Con-Nex,
our online ordering program

Range Hoods (continued)

Tapered Farmhouse Hood w/Detached Chimney

- Shiplap wall-mounted hood with galvanized steel mounting bracket for easy installation.
- Manufactured from solid wood and veneer core plywood.
- Chimney and base ship in separate cartons. Moulding at top of chimney is attached with 4 screws allowing for easy removal if the top needs to be trimmed to height. Mouldings on the side of the chimney are shipped loose to allow for trimming if needed.
- 6" hardwood base.
- Shiplap spaced at 6" intervals.
- 1-3/8" wood corner mouldings attached.
- Includes silver metallic powder-coated liner.
- Liner accommodates the following Broan ventilators:
 - 250 CFM - RHVBF300SS
 - 400 CFM - RHVB400SS
 - 600 CFM - RHVB600SSV
- Contact Omega National Products: (800) 533-8809.
- Lead-time 15 days unfinished, add 5-6 days for finishing.
- Available in Alder, Cherry, Hard Maple, PGHM Hybrid* and Red Oak.
- **Custom sizes not available.**



Height	Available Sizes			
30"	30x30	36x30	42x30	48x30

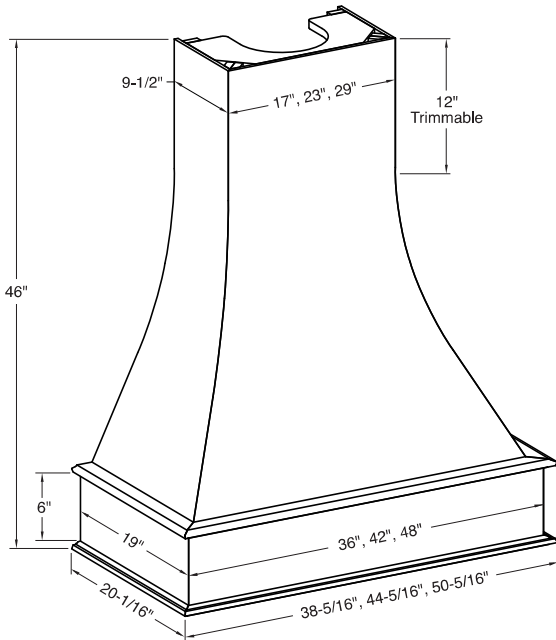
*MDF w/Maple mouldings.

Please refer to pricing through Con-Nex, our online ordering program

Range Hoods (continued)

11

Specialty Products



Artisan Range Hood

- Complete turnkey solution with patented hanging cleat for quick and easy installation.
- Manufactured from solid wood and wood veneers.
- Up to 12" may be trimmed from the top of the chimney.
- Includes silver metallic powder-coated liner.
- Liner accommodates the following Broan ventilators:
 - 250 CFM - RHVBF300SS
 - 400 CFM - RHVB400SS
 - 600 CFM - RHVB600SSV
- Contact Omega National Products: (800) 533-8809.
- Lead-time 15 days unfinished, add 5-6 days for finishing.
- Available in Cherry, Hard Maple, PGHM Hybrid* and Red Oak.
- **Custom sizes not available.**

Height	Available Sizes			
46"	30x46	36x46	42x46	48x46

*MDF w/Maple mouldings.

Please refer to pricing through Con-Nex, our online ordering program

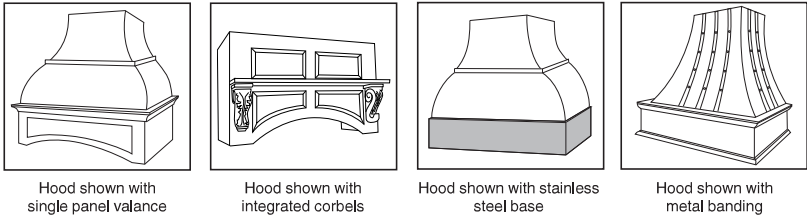
Stanisci Design Range Hoods

Stanisci Design is the leading manufacturer of wood range hoods for the custom kitchen industry. This program allows for convenient ordering of custom range hoods and ventilation units. Conestoga’s published offering includes several popular hood designs with panel raise and bead options. Both plywood and raised panel hoods are available in a wide variety of heights and widths.

Program Details

- Range hoods are available unfinished or finished; see Finishing Program Section for finish options and pricing.
- Most prefinished hoods will ship from Conestoga’s Kenly, N.C. facility.
- Custom species include African Mahogany, Hickory and Rustic Knotty Alder. Contact Special Designs for other specie availability.
- Custom sizes and designs are available. Contact Special Designs for a quote.

Examples of custom designs:



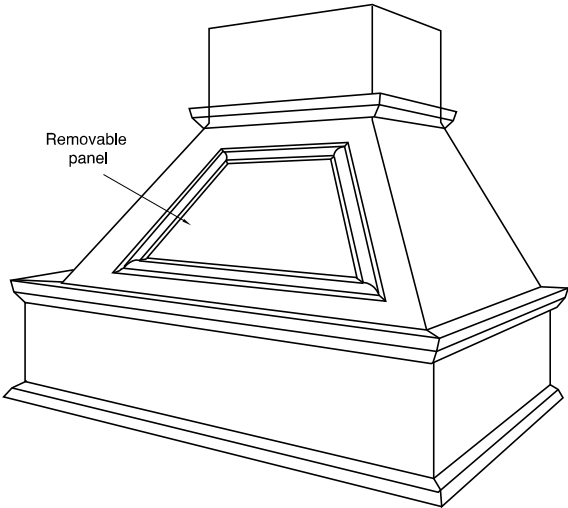
- Liners are not included with hood unless otherwise noted. Stainless steel ventilation units and liners are available from Stanisci Design with discounted Conestoga program pricing. Contact Stanisci Design at (248) 572-6880.
- Recommended ventilator: Stainless steel units from 300 to 1500 CFM are available through Stanisci Design (248) 572-6880.
- Stanisci hoods are available in catalog format, compatible with 20/20 Design software. Contact your Sales Representative for information.
- Value line ventilation systems are also available for Stanisci Design range hoods: silver metallic powder coat finish, 390 CFM multi-blower with two 40w lights (no discount available).

PLEASE NOTE: All Stanisci Range Hoods should be mounted no closer than 30" above cook tops, although some cook tops require additional clearance. Please check local building codes and appliance specifications.

Removable Options

Removable Applied Panel

- Available on I-Series hood design only.
- Allows for easy installation and access for Building Inspectors.
- Panel features applied moulding for finished look after installation.
- Specify “Removable Panel Option”, Upcharge applies.

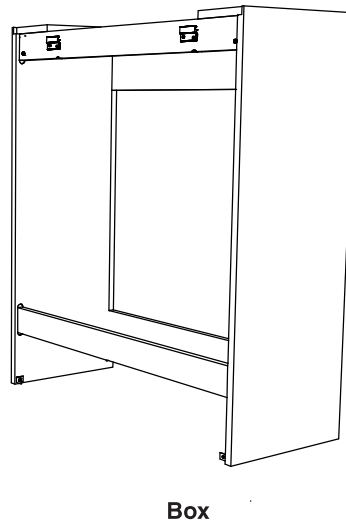
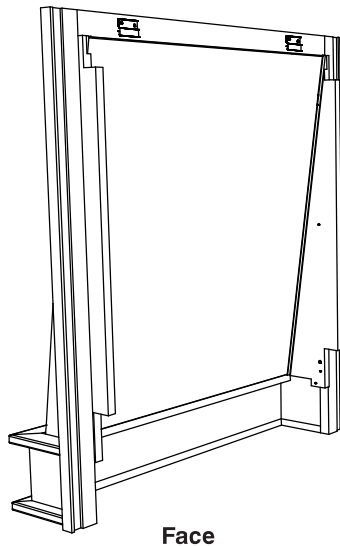


Please refer to pricing through Con-Nex, our online ordering program

Stanisci Design Range Hoods (continued)

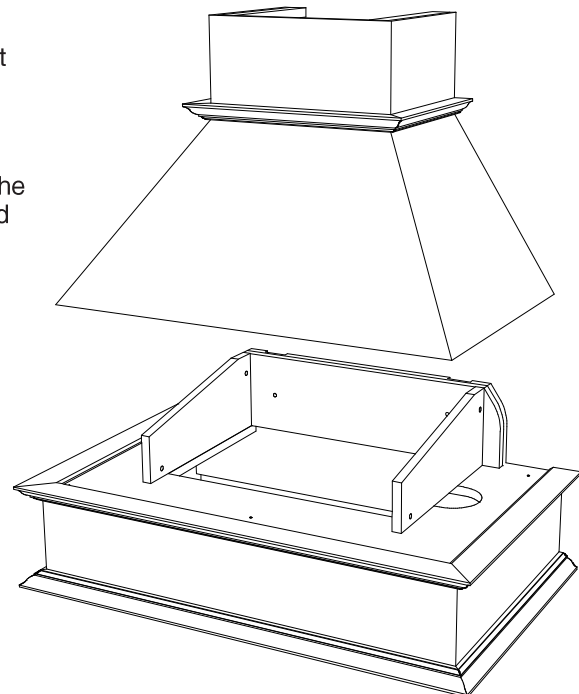
Removable Front

- Available on P and Z200 Series hoods at no additional charge.
- With this option, the entire front fascia lifts straight up for easy removal. When installed, the hood face is secured in place with concealed clips.
- If this option is selected, the depth of the P and Z200 box will be modified to 16" deep. Overall hood depth will remain the same as standard depth.
- No additional lead-time required.
- When ordering, specify the hood design then "Removable Option".



Removable Top

- Available on the CHW, CHWB, E, FX2HW, FX2PL, G, GRA, S, T and TRA Series hoods at no additional charge.
- This option allows the base of the hood to be installed separately, followed by the ventilation. After ventilation hookup has been completed, the top portion of the hood can lower into place and be secured to the base.
- No additional lead-time required.
- When ordering, specify the hood design then "Removable Option".



Stanisci Design Range Hoods (continued)

Optional Moulding Packages

- Several hoods are available with a choice of Classic, Simple or Basic moulding packages. See illustrations below for examples of differences between the three moulding profiles.
- Classic package is a more traditional style moulding. Simple and Basic packages are made for contemporary/transitional kitchens.
- Moulding packages have no effect on pricing, lead-time or overall dimensions.
- Moulding packages available on all Stanisci hoods except B, BX, BXB, CHW, CHWB, E3, FX, FXBPUP, FX2HW, M, VCHM-AV, VCHM-SV and VCHM-VRS hoods.
- Moulding packages below are available for E, FX2PL, G, GRA, H2, I, S, SRA, T and TRA hoods (P and Z200 available in Basic package only).
- When ordering a range hood specify the desired moulding package.



Classic Package



Simple Package



Basic Package

Antiquing, Distressing and Wear Sanding

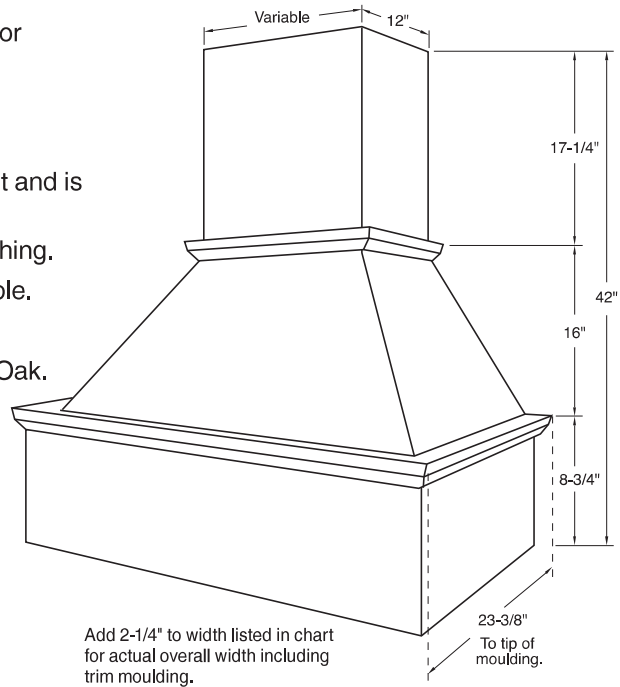
To allow our customers to purchase prefinished Stanisci range hoods with the same overall appearance of their doors, Conestoga offers a modified version of our Antiquing, Distressing and Wear Sanding Options on the solid wood portions of Stanisci hoods.

- These treatment options available with Stanisci-brand range hoods only.
- Not available on Paint Grade Hard Maple Hybrid specie hoods.
- Availability of these options varies by hood design.
- Wear Sanding Design Charge is per panel.
- Antiquing Design Charges and square foot Material Charges are equal to published finishing fees.
- Distressing Design Charges and square foot Material Charges are equal to published finishing fees.

Stanisci Design Range Hoods (continued)

VCHIM Series Hood – Straight Valance

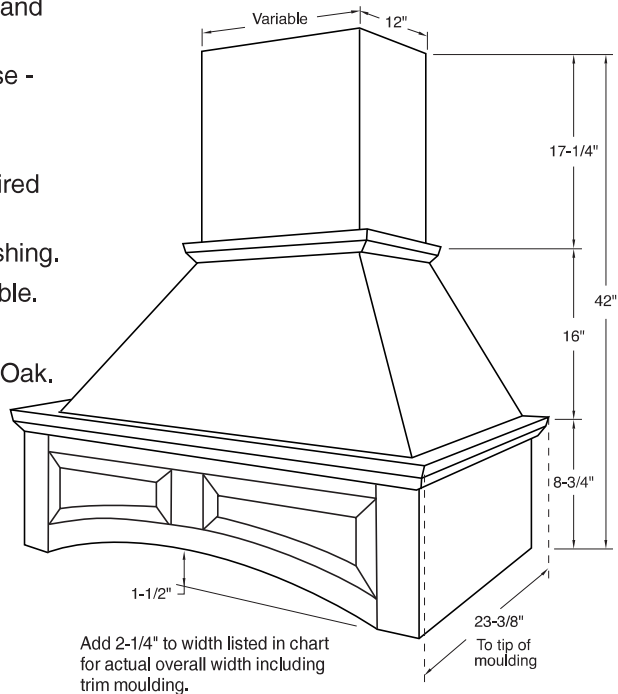
- Stylish straight valance complements traditional or contemporary designs.
- Designed to fit up to a 9 foot ceiling.
- Plywood chimney and upper. Solid wood apron.
- 17-1/4" chimney can be trimmed to desired height and is shipped unattached.
- Lead-time 5 days unfinished, add 7 days for finishing.
- Fixed panel standard. Removable top not available.
- Ventilators available through Stanisci Design.
- Available in Alder, Cherry, Hard Maple and Red Oak.
- **Custom sizes not available.**



Height	VCHIM-SV Series Part Number			
42"	SV-30x42	SV-36x42	SV-42x42	SV-48x42

VCHIM Series Hood – Arched Valance

- Stylish arched valance complements traditional and transitional designs.
- Arched valance has Regular bead, G-Cove Raise - no options.
- Designed to fit up to a 9 foot ceiling.
- 17-1/4" plywood chimney can be trimmed to desired height and is shipped unattached.
- Lead-time 5 days unfinished, add 7 days for finishing.
- Fixed panel standard. Removable top not available.
- Ventilators available through Stanisci Design.
- Available in Alder, Cherry, Hard Maple and Red Oak.
- **Custom sizes not available.**



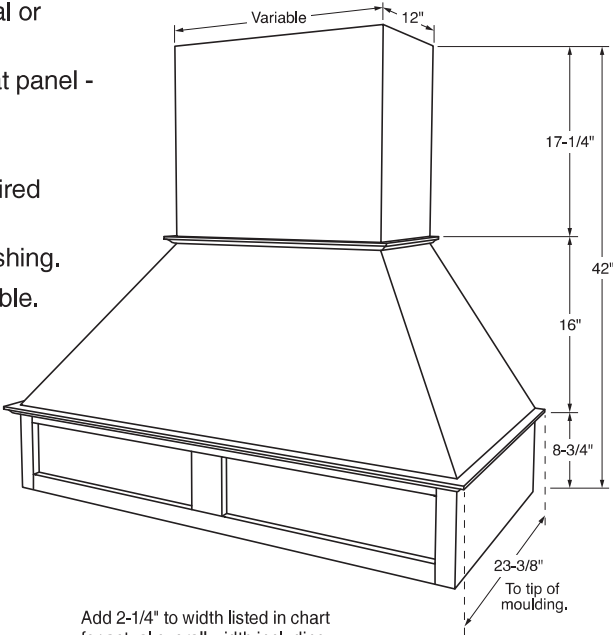
Height	VCHIM-AV Series Part Number			
42"	AV-30x42	AV-36x42	AV-42x42	AV-48x42

Please refer to pricing through Con-Nex,
our online ordering program

Stanisci Design Range Hoods (continued)

VCHIM Series Hood – Two Panel Straight Valance

- Stylish straight valance complements transitional or traditional designs.
- Two panel straight valance has Square bead, flat panel - no options.
- Designed to fit up to a 9 foot ceiling.
- 17-1/4" plywood chimney can be trimmed to desired height and is shipped unattached.
- Lead-time 5 days unfinished, add 7 days for finishing.
- Fixed panel standard. Removable top not available.
- Ventilators available through Stanisci Design.
- Available in Alder, Cherry, Hard Maple and Red Oak.
- **Custom sizes not available.**



Add 2-1/4" to width listed in chart for actual overall width including trim moulding.

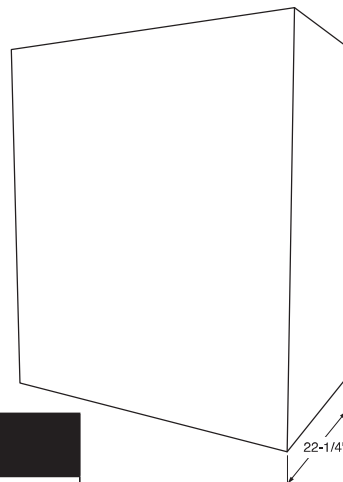
Height	VCHIM-VRS Series Part Number			
42"	VRS-30x42	VRS-36x42	VRS-42x42	VRS-48x42

Please refer to pricing through Con-Nex, our online ordering program

Stanisci Design Range Hoods (continued)

BX – Standard Hood

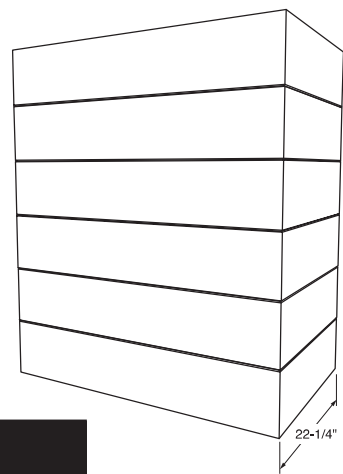
- BX-Series is a contemporary or transitional hood.
- Horizontal grain only.
- Lead-time 10 days unfinished, add 7 days for finishing.
- Fixed panel only.
- Moulding package not available.
- Available in Alder, Cherry, Hard Maple, PGHM Hybrid, Red Oak, Walnut and Quarter Sawn White Oak.
- **Custom sizes available through Special Designs.**



Height	BX-Series Part Number					
24"	BX-30x24	BX-36x24	BX-42x24	BX-48x24	BX-54x24	BX-60x24
30"	BX-30x30	BX-36x30	BX-42x30	BX-48x30	BX-54x30	BX-60x30
36"	BX-30x36	BX-36x36	BX-42x36	BX-48x36	BX-54x36	BX-60x36
42"	BX-30x42	BX-36x42	BX-42x42	BX-48x52	BX-54x42	BX-60x42

BXB – Horizontal Beading Hood

- BX-Series is a shiplap hood.
- Horizontal grain only with shiplap style beading.
- Width face of shiplap moulding varies by hood height.
- Lead-time 10 days unfinished, add 7 days for finishing.
- Fixed panel only.
- Moulding package not available.
- Available in Alder, Cherry, Hard Maple, PGHM Hybrid, Red Oak, Walnut and Quarter Sawn White Oak.
- **Custom sizes available through Special Designs.**



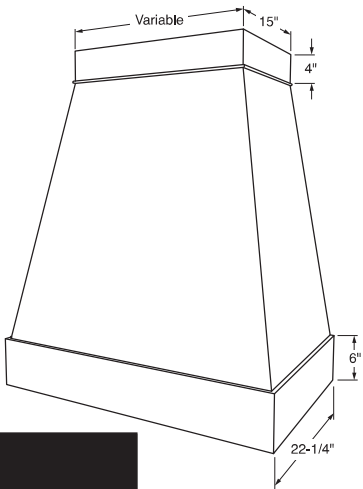
Height	BxB-Series Part Number					
24"	BXB-30x24	BXB-36x24	BXB-42x24	BXB-48x24	BXB-54x24	BXB-60x24
30"	BXB-30x30	BXB-36x30	BXB-42x30	BXB-48x30	BXB-54x30	BXB-60x30
36"	BXB-30x36	BXB-36x36	BXB-42x36	BXB-48x36	BXB-54x36	BXB-60x36
42"	BXB-30x42	BXB-36x42	BXB-42x42	BXB-48x52	BXB-54x42	BXB-60x42

**Please refer to pricing through Con-Nex,
our online ordering program**

Stanisci Design Range Hoods (continued)

CHW – Standard Hood

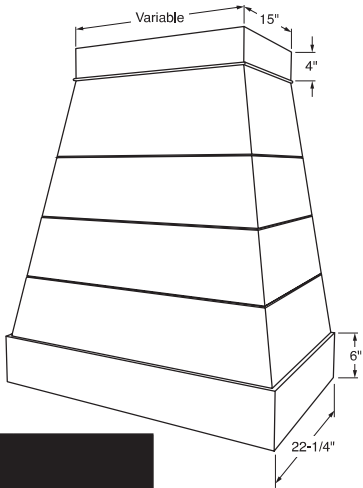
- CHW-Series is a contemporary or transitional hood.
- Horizontal grain panel and valance only.
- 6" hardwood valance in matching specie only.
- Lead-time 10 days unfinished, add 7 days for finishing.
- Fixed panel standard. Removable top optional.
- Moulding package not available.
- Available in Alder, Cherry, Hard Maple, PGHM Hybrid, Red Oak, Walnut and Quarter Sawn White Oak.
- **Custom sizes available through Special Designs.**



Height	CHW-Series Part Number					
24"	CHW-30x24	CHW-36x24	CHW-42x24	CHW-48x24	CHW-54x24	CHW-60x24
30"	CHW-30x30	CHW-36x30	CHW-42x30	CHW-48x30	CHW-54x30	CHW-60x30
36"	CHW-30x36	CHW-36x36	CHW-42x36	CHW-48x36	CHW-54x36	CHW-60x36
48"	CHW-30x48	CHW-36x48	CHW-42x48	CHW-48x48	CHW-54x48	CHW-60x48
54"	CHW-30x54	CHW-36x54	CHW-42x54	CHW-48x54	CHW-54x54	CHW-60x54

CHWB – Horizontal Beading

- CHWB-Series is a shiplap style hood.
- Horizontal grain only with shiplap style beading.
- 6" hardwood valance in matching specie only.
- Width face of shiplap moulding varies by hood height.
- Lead-time 10 days unfinished, add 7 days for finishing.
- Fixed panel standard. Removable top optional.
- Moulding package not available.
- Available in Alder, Cherry, Hard Maple, PGHM Hybrid, Red Oak, Walnut and Quarter Sawn White Oak.
- **Custom sizes available through Special Designs.**



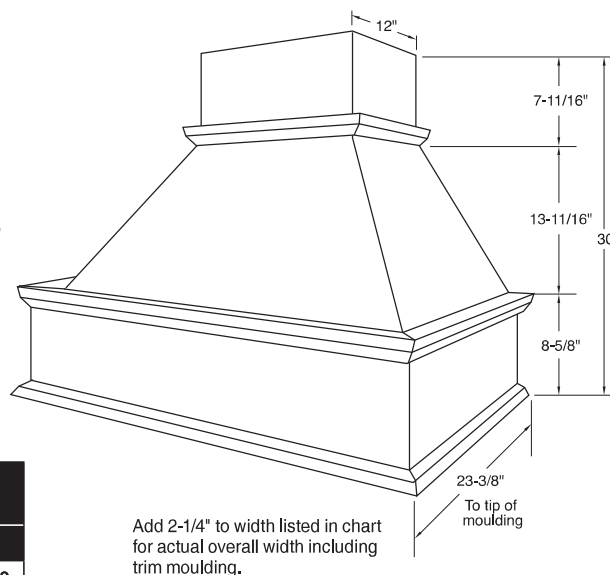
Height	CHWB-Series Part Number					
24"	CHWB-30x24	CHWB-36x24	CHWB-42x24	CHWB-48x24	CHWB-54x24	CHWB-60x24
30"	CHWB-30x30	CHWB-36x30	CHWB-42x30	CHWB-48x30	CHWB-54x30	CHWB-60x30
36"	CHWB-30x36	CHWB-36x36	CHWB-42x36	CHWB-48x36	CHWB-54x36	CHWB-60x36
48"	CHWB-30x48	CHWB-36x48	CHWB-42x48	CHWB-48x48	CHWB-54x48	CHWB-60x48
54"	CHWB-30x54	CHWB-36x54	CHWB-42x54	CHWB-48x54	CHWB-54x54	CHWB-60x54

Please refer to pricing through Con-Nex, our online ordering program

Stanisci Design Range Hoods (continued)

G – Standard Hood

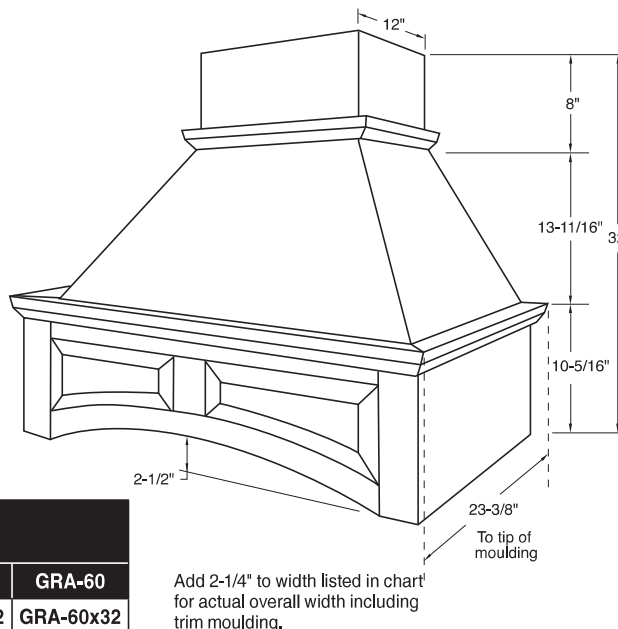
- G-Series is designed to best fit 8 foot ceilings.
- Removable chimney may be trimmed to desired height.
- Lead-time 10 days unfinished, add 7 days for finishing.
- Fixed panel standard. Removable top optional.
- Available in Alder, Cherry, Hard Maple, Red Oak, PGHM Hybrid, Walnut and Quarter Sawn White Oak.
- **Custom sizes available through Special Designs.**



Height	G-Series Part Number				
	G-36	G-42	G-48	G-54	G-60
30"	G-36x30	G-42x30	G-48x30	G-54x30	G-60x30

G – Raised Arch Hood

- G-Raised Arch Series is designed to best fit 8 foot ceilings.
- Profile options –
Framing Bead: Regular, Elite, Ogee, Square or F-1223.
Panel Raise: Slant, G-Cove, RM, M-Bead or P-057.
- Removable chimney may be trimmed to desired height.
- Lead-time 10 days unfinished, add 7 days for finishing.
- Fixed panel standard. Removable top optional.
- Available in Alder, Cherry, Hard Maple, Red Oak, PGHM Hybrid, Walnut and Quarter Sawn White Oak.
- **Custom sizes available through Special Designs.**



Height	GRA-Series Part Number				
	GRA-36	GRA-42	GRA-48	GRA-54	GRA-60
32"	GRA-36x32	GRA-42x32	GRA-48x32	GRA-54x32	GRA-60x32

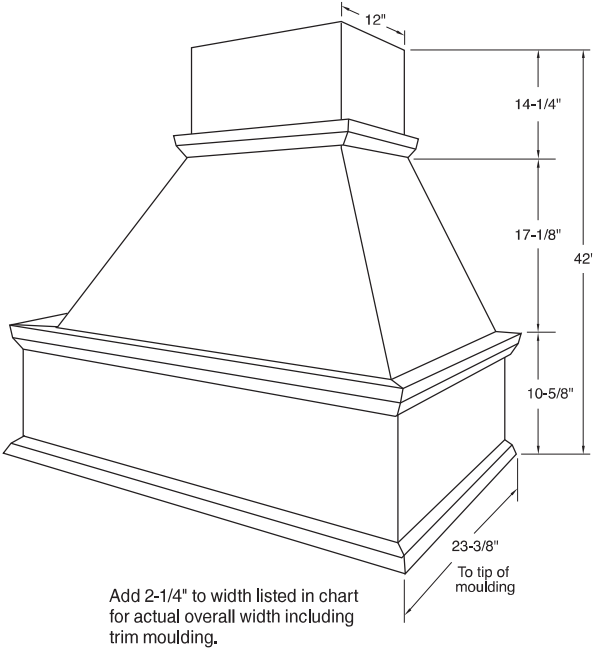
Please refer to pricing through Con-Nex, our online ordering program

Stanisci Design Range Hoods (continued)

T – Standard Hood

- T-Series is designed to best fit 9 foot ceilings and taller.
- Removable chimney may be trimmed to desired height.
- Lead-time 10 days unfinished, add 7 days for finishing.
- Fixed panel standard. Removable top optional.
- Available in Alder, Cherry, Hard Maple, Red Oak, PGHM Hybrid, Walnut and Quarter Sawn White Oak.
- **Custom sizes available through Special Designs.**

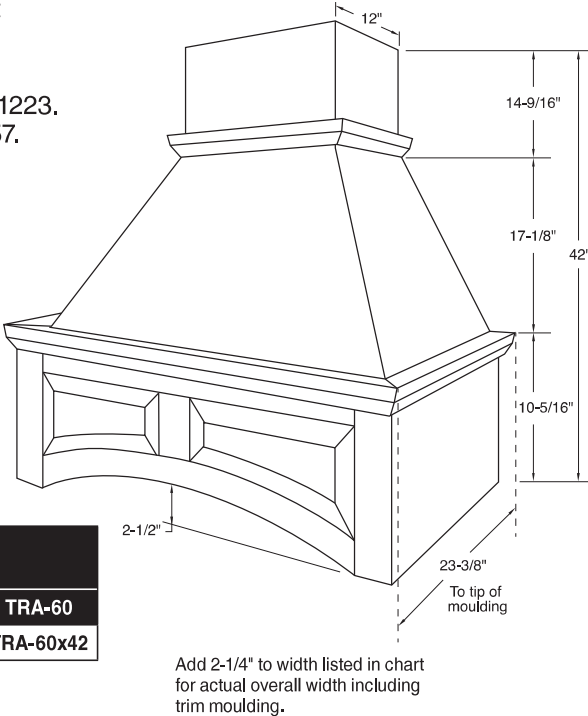
Height	T-Series Part Number				
	T-36	T-42	T-48	T-54	T-60
42"	T-36x42	T-42x42	T-48x42	T-54x42	T-60x42



T – Raised Arch Hood

- T-Raised Arch Series is designed to best fit 9 foot ceilings and taller.
- Profile options – Framing Bead: Regular, Elite, Ogee, Square or F-1223. Panel Raise: Slant, G-Cove, RM, M-Bead or P-057.
- Removable chimney may be trimmed to desired height.
- Lead-time 10 days unfinished, add 7 days for finishing.
- Fixed panel standard. Removable top optional.
- Available in Alder, Cherry, Hard Maple, Red Oak, PGHM Hybrid, Walnut and Quarter Sawn White Oak.
- **Custom sizes available through Special Designs.**

Height	TRA-Series Part Number				
	TRA-36	TRA-42	TRA-48	TRA-54	TRA-60
42"	TRA-36x42	TRA-42x42	TRA-48x42	TRA-54x42	TRA-60x42

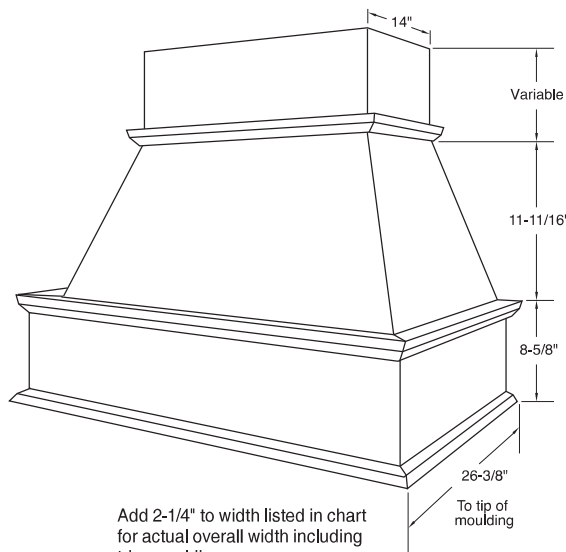


Please refer to pricing through Con-Nex, our online ordering program

Stanisci Design Range Hoods (continued)

I – Series (Four-sided Island Hood)

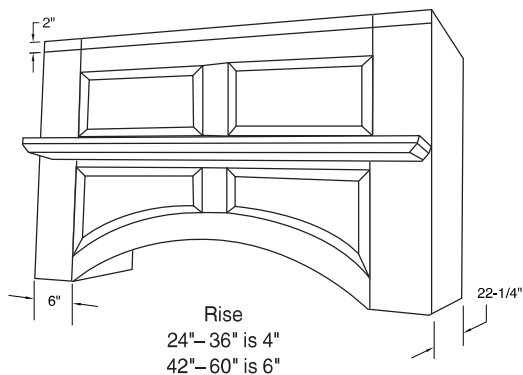
- I-Series hood is designed to provide ventilation above an island range.
- Overall height must be provided when ordering I-series.
- Prefinished hoods will be finished on all 4 sides.
- Includes installation hardware.
- Lead-time 10 days unfinished, add 7 days for finishing.
- Fixed panel standard. Removable panel optional.
- Available in Alder, Cherry, Hard Maple, PGHM Hybrid, Red Oak, Walnut and Quarter Sawn White Oak.
- **Custom sizes available through Special Designs.**



Specify Height	I-Series Part Number				
Width	I-36	I-42	I-48	I-54	I-60

M – Series Hood

- Will accommodate corbels up to 5" wide, 10-1/2" high and 6" deep under display shelf. See the Wood Accents and Ornament pages in Section 12 or the Art for Everyday catalog on the CBP for potential corbel selections.
- Profile options –
Framing Bead: Regular, Elite, Ogee, Square or F-1223.
Panel Raise: Slant, G-Cove, RM, M-Bead or P-057.
- Hood includes 6-3/4" deep display shelf, shipped unattached.
- Lead-time 10 days unfinished, add 7 days for finishing.
- Removable panel only. Fixed top rail standard.
- Available in Alder, Cherry, Hard Maple, PGHM Hybrid, Red Oak, Walnut and Quarter Sawn White Oak.
- **Custom sizes available through Special Designs.**



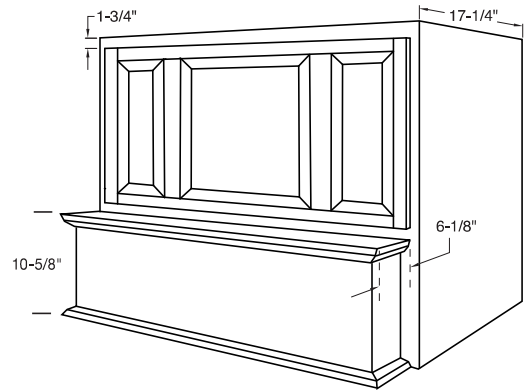
Height	M-Series Part Number					
24"	M-30x24	M-36x24	M-42x24	M-48x24	M-54x24	M-60x24
30"	M-30x30	M-36x30	M-42x30	M-48x30	M-54x30	M-60x30
36"	M-30x36	M-36x36	M-42x36	M-48x36	M-54x36	M-60x36
42"	M-30x42	M-36x42	M-42x42	M-48x42	M-54x42	M-60x42
48"	M-30x48	M-36x48	M-42x48	M-48x48	M-54x48	M-60x48

Please refer to pricing through Con-Nex, our online ordering program

Stanisci Design Range Hoods (continued)

S – Raised Hood w/Display Shelf

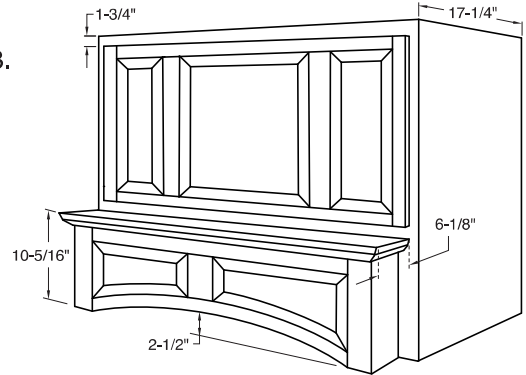
- Profile options –
Framing Bead: Regular, Elite, Ogee, Square or F-1223.
Panel Raise: Slant, G-Cove, RM, M-Bead or P-057.
- Display shelf depth is 6-1/8" to tip of moulding.
- Lead-time 10 days unfinished, add 7 days for finishing.
- Removable panel only.
- Available in Alder, Cherry, Hard Maple, PGHM Hybrid, Red Oak, Walnut and Quarter Sawn White Oak.
- Custom sizes available through Special Designs.
- **Custom sizes available through Special Designs.**



Height	S-Series					
	Part Number					
24"	S-33x24	S-39x24	S-45x24	S-51x24	S-57x24	S-63x24
30"	S-33x30	S-39x30	S-45x30	S-51x30	S-57x30	S-63x30
36"	S-33x36	S-39x36	S-45x36	S-51x36	S-57x36	S-63x36
42"	S-33x42	S-39x42	S-45x42	S-51x42	S-57x42	S-63x42

S – Raised Arch Hood w/Display Shelf

- Profile Options –
Framing Bead: Regular, Elite, Ogee, Square or F-1223.
Panel Raise: Slant, G-Cove, RM, M-Bead or P-057.
- Display shelf depth is 6-1/8" deep.
- Lead-time 10 days unfinished, add 7 days for finishing.
- Removable panel only.
- Available in Alder, Cherry, Hard Maple, PGHM Hybrid, Red Oak, Walnut and Quarter Sawn White Oak.
- **Custom sizes available through Special Designs.**



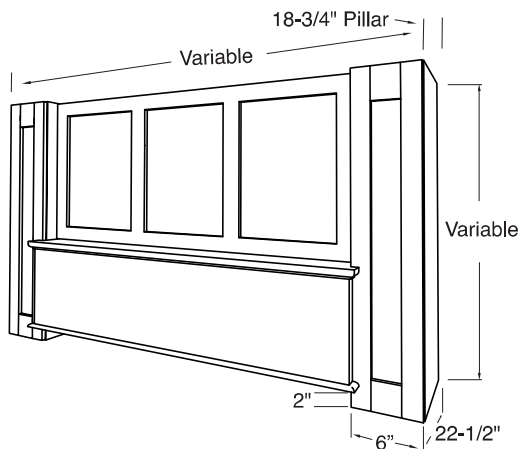
Height	SRA-Series					
	Part Number					
24"	SRA-33x24	SRA-39x24	SRA-45x24	SRA-51x24	SRA-57x24	SRA-63x24
30"	SRA-33x30	SRA-39x30	SRA-45x30	SRA-51x30	SRA-57x30	SRA-63x30
36"	SRA-33x36	SRA-39x36	SRA-45x36	SRA-51x36	SRA-57x36	SRA-63x36
42"	SRA-33x42	SRA-39x42	SRA-45x42	SRA-51x42	SRA-57x42	SRA-63x42

Please refer to pricing through Con-Nex, our online ordering program

Stanisci Design Range Hoods (continued)

H2 – Series Hood w/Display Shelf

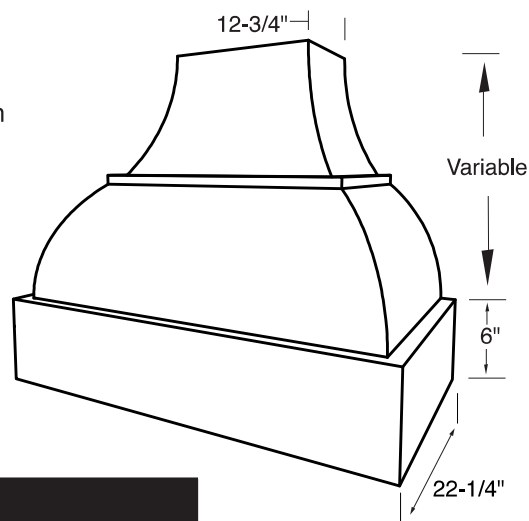
- Hearth style hood featuring incorporated display shelf.
- Profile options –
Framing Bead: Regular, Elite, Ogee, Square or F-1223.
Panel Raise: Slant, G-Cove, RM, M-Bead or P-057.
- Display shelf depth is 8-1/8" to tip of moulding.
- 42" and 54" wide hoods have two top panels.
- 60" and 66" wide hoods have three panels on top wainscot.
- Lead-time 10 days unfinished, add 7 days for finishing.
- Removable panel only. Fixed top rail standard.
- Available in Alder, Cherry, Hard Maple, PGHM Hybrid, Red Oak, Walnut and Quarter Sawn White Oak.
- **Custom sizes available through Special Designs.**



Height	H2-Series Part Number				
32"	H2-42x32	H2-48x32	H2-54x32	H2-60x32	H2-66x32
38"	H2-42x38	H2-48x38	H2-54x38	H2-60x38	H2-66x38
44"	H2-42x44	H2-48x44	H2-54x44	H2-60x44	H2-66x44

B – Series Hood w/Display Shelf

- B-Series is designed to best fit 8 to 10 foot ceilings.
- B-Series hoods are not recommended to be cut down in the field – specify height at time of order.
- Lead-time 10 days unfinished, add 7 days for finishing.
- Fixed panel only.
- Moulding package not available.
- Available in Alder, Cherry, Hard Maple, PGHM Hybrid, Red Oak, Walnut and Quarter Sawn White Oak.
- **Custom sizes available through Special Designs.**



Height	B-Series Part Number				
30"	B-36x30	B-42x30	B-48x30	B-54x30	B-60x30
42"	B-36x42	B-42x42	B-48x42	B-54x42	B-60x42
48"	B-36x48	B-42x48	B-48x48	B-54x48	B-60x48

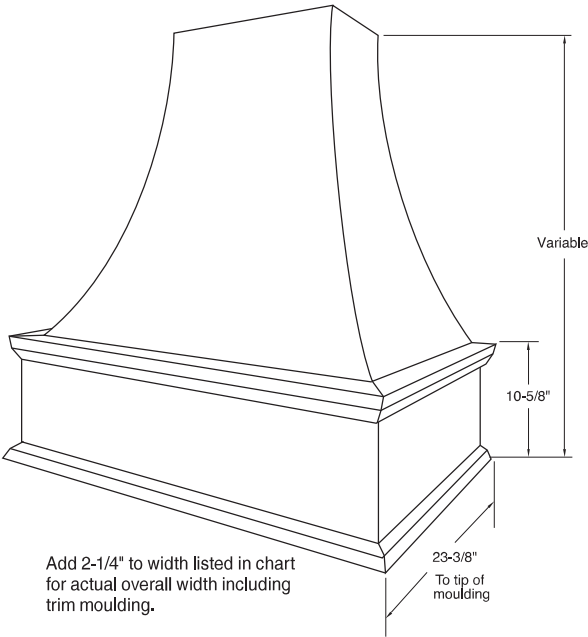
Please refer to pricing through Con-Nex, our online ordering program

Stanisci Design Range Hoods (continued)

E – Standard Hood

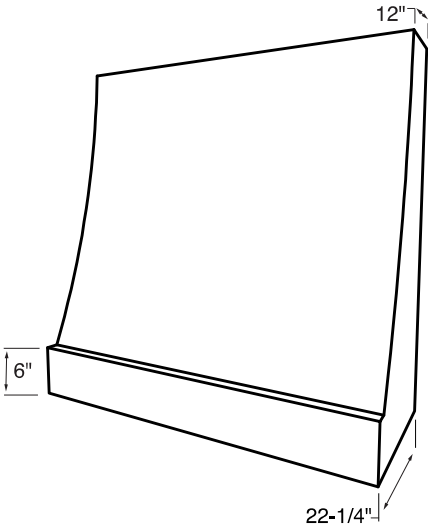
- E-Series can be sized to fit 8 or 9 foot ceilings.
- E-Series hoods are not trimmable. Specific heights available through Special Designs.
- Lead-time 10 days unfinished, add 7 days for finishing.
- Fixed panel standard. Removable top optional.
- Available in Alder, Cherry, Hard Maple, PGHM Hybrid, Red Oak, Walnut and Quarter Sawn White Oak.
- **Custom sizes available through Special Designs.**

Height	E-Series Part Number				
	30"	E-36x30	E-42x30	E-48x30	E-54x30
42"	E-36x42	E-42x42	E-48x42	E-54x42	E-60x42
48"	E-36x48	E-42x48	E-48x48	E-54x48	E-60x48



E3 – Series Hood

- E3-Series hoods are not trimmable. Specific heights available through Special Designs.
- Lead-time 10 days unfinished, add 7 days for finishing.
- Fixed panel only.
- Moulding package not available.
- Available in Alder, Cherry, Hard Maple, PGHM Hybrid, Red Oak, Walnut and Quarter Sawn White Oak.
- **Custom sizes available through Special Designs.**



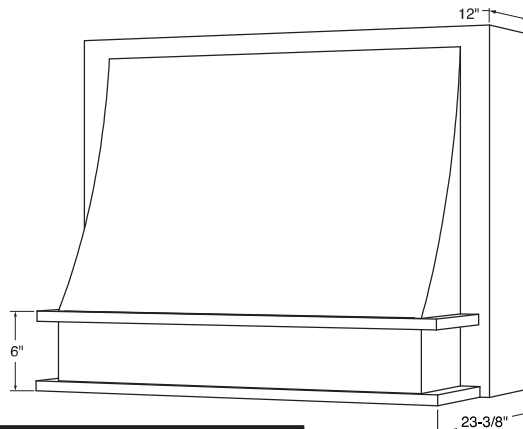
Height	E3-Series Part Number					
	24"	E3-30x24	E3-36x24	E3-42x24	E3-48x24	E3-54x24
30"	E3-30x30	E3-36x30	E3-42x30	E3-48x30	E3-54x30	E3-60x30
36"	E3-30x36	E3-36x36	E3-42x36	E3-48x36	E3-54x36	E3-60x36
42"	E3-30x42	E3-36x42	E3-42x42	E3-48x42	E3-54x42	E3-60x42

Please refer to pricing through Con-Nex, our online ordering program

Stanisci Design Range Hoods (continued)

Z200 – Series Hood

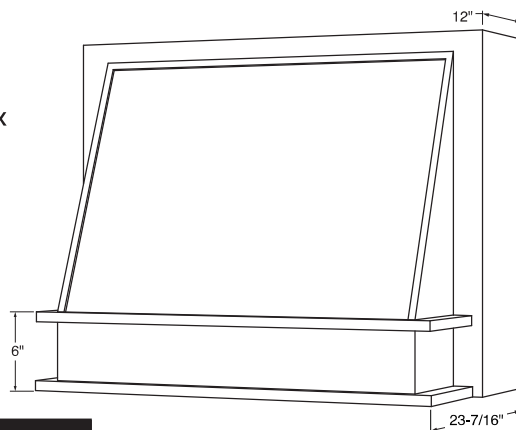
- Z200 - Series is a transitional hood designed to be mounted to the wall and adjacent cabinets.
- Lead-time 10 days unfinished, add 7 days for finishing.
- Fixed panel standard. Removable front optional (rear box increases to 16").
- Only available with Basic Moulding Package.
- Available in Alder, Cherry, Hard Maple, PGHM Hybrid, Red Oak, Walnut and Quarter Sawn White Oak.
- **Custom sizes available through Special Designs.**



Height	Z200-Series					
	Part Number					
30"	Z200-33x30	Z200-39x30	Z200-45x30	Z200-51x30	Z200-57x30	Z200-63x30
36"	Z200-33x36	Z200-39x36	Z200-45x36	Z200-51x36	Z200-57x36	Z200-63x36
42"	Z200-33x42	Z200-39x42	Z200-45x42	Z200-51x42	Z200-57x42	Z200-63x42

P – Series Hood

- P-Series is designed to be mounted to the wall and adjacent cabinets.
- Lead-time 10 days unfinished, add 7 days for finishing.
- Fixed panel standard. Removable front optional (rear box increases to 16").
- Available with Basic Moulding Package only.
- Available in Alder, Cherry, Hard Maple, PGHM Hybrid, Red Oak, Walnut and Quarter Sawn White Oak.
- **Custom sizes available through Special Designs.**



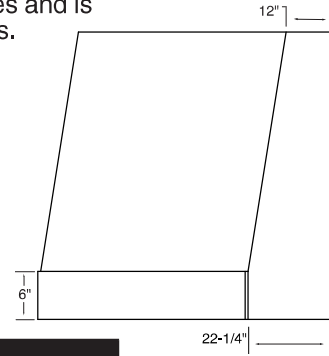
Height	P-Series					
	Part Number					
30"	P-33x30	P-39x30	P-45x30	P-51x30	P-57x30	P-63x30
36"	P-33x36	P-39x36	P-45x36	P-51x36	P-57x36	P-63x36
42"	P-33x42	P-39x42	P-45x42	P-51x42	P-57x42	P-63x42

Please refer to pricing through Con-Nex,
our online ordering program

Stanisci Design Range Hoods (continued)

FX – Series Hood

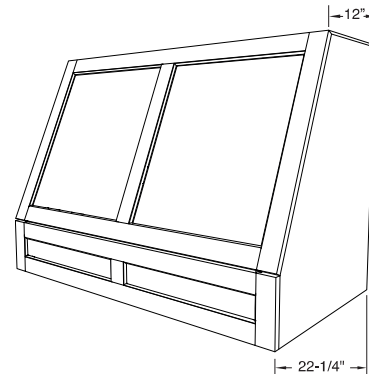
- FX – Series complements both contemporary and transitional styles and is designed to be either mounted as stand-alone or between cabinets.
- FX – Series hoods are not recommended to be cut down in the field – specify height at time of order.
- Lead-time 10 days unfinished, add 7 days for finishing.
- Fixed panel only.
- Moulding package not available.
- Available in Alder, Cherry, Hard Maple, PGHM Hybrid, Red Oak, Walnut and Quarter Sawn White Oak.



Height	FX-Series					
	Part Number					
24"	FX-30x24	FX-36x24	FX-42x24	FX-48x24	FX-54x24	FX-60x24
30"	FX-30x30	FX-36x30	FX-42x30	FX-48x30	FX-54x30	FX-60x30
36"	FX-30x36	FX-36x36	FX-42x36	FX-48x36	FX-54x36	FX-60x36
42"	FX-30x42	FX-36x42	FX-42x42	FX-48x42	FX-54x42	FX-60x42

FXBPUP – Series Hood

- FXBPUP – Series is a transitional hood designed to be either mounted as stand-alone or between cabinets.
- Profile options –
Framing Bead: Regular, Elite, Ogee, Square or F-1223.
Panel Raise: Slant, G-Cove, RM, M-Bead or P-057.
- FXBPUP – Series hoods are not recommended to be cut down in the field – specify height at time of order.
- Lead-time 10 days unfinished, add 7 days for finishing.
- Removable panel only.
- Hoods with widths from 30"-48" will have two panels on top and two panels on the bottom. Hoods over 48" will have three panels on top and three panels on the bottom.
- Standard hood apron height is 6" with flat center panels or 8.75" for raised center panels.
- Available in Alder, Cherry, Hard Maple, PGHM Hybrid, Red Oak, Walnut and Quarter Sawn White Oak.
- **Custom sizes and panel configurations available through Special Designs.**



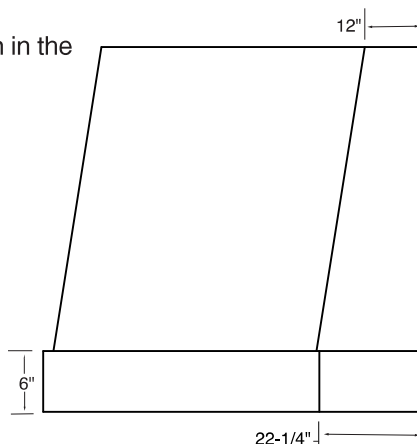
Height	FXBPUP-Series					
	Part Number					
24"	FXBPUP-30x24	FXBPUP-36x24	FXBPUP-42x24	FXBPUP-48x24	FXBPUP-54x24	FXBPUP-60x24
30"	FXBPUP-30x30	FXBPUP-36x30	FXBPUP-42x30	FXBPUP-48x30	FXBPUP-54x30	FXBPUP-60x30
36"	FXBPUP-30x36	FXBPUP-36x36	FXBPUP-42x36	FXBPUP-48x36	FXBPUP-54x36	FXBPUP-60x36
42"	FXBPUP-30x42	FXBPUP-36x42	FXBPUP-42x42	FXBPUP-48x42	FXBPUP-54x42	FXBPUP-60x42

Please refer to pricing through Con-Nex, our online ordering program

Stanisci Design Range Hoods (continued)

FX2HW – Series Hood

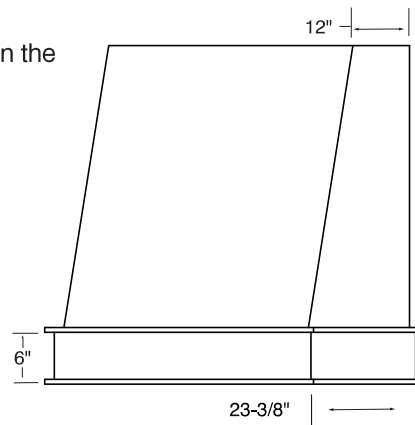
- FX2HW-Series hoods are not recommended to be cut down in the field – specify height at time of order.
- Lead-time 10 days unfinished, add 7 days for finishing.
- Fixed panel standard. Removable top optional.
- Moulding package not available.
- Available in Alder, Cherry, Hard Maple, PGHM Hybrid, Red Oak, Walnut and Quarter Sawn White Oak.
- **Custom sizes available through Special Designs.**



Height	FX2HW - Series					
	Part Number					
24"	FX2HW-30x24	FX2HW-36x24	FX2HW-42x24	FX2HW-48x24	FX2HW-54x24	FX2HW-60x24
30"	FX2HW-30x30	FX2HW-36x30	FX2HW-42x30	FX2HW-48x30	FX2HW-54x30	FX2HW-60x30
36"	FX2HW-30x36	FX2HW-36x36	FX2HW-42x36	FX2HW-48x36	FX2HW-54x36	FX2HW-60x36
42"	FX2HW-30x42	FX2HW-36x42	FX2HW-42x42	FX2HW-48x42	FX2HW-54x42	FX2HW-60x42
48"	FX2HW-30x48	FX2HW-36x48	FX2HW-42x48	FX2HW-48x48	FX2HW-54x48	FX2HW-60x48
54"	FX2HW-30x54	FX2HW-36x54	FX2HW-42x54	FX2HW-48x54	FX2HW-54x54	FX2HW-60x54

FX2PL – Series Hood

- FX2PL-Series hoods are not recommended to be cut down in the field – specify height at time of order.
- Lead-time 10 days unfinished, add 7 days for finishing.
- Fixed panel standard. Removable top optional.
- Available in Alder, Cherry, Hard Maple, PGHM Hybrid, Red Oak, Walnut and Quarter Sawn White Oak.
- **Custom sizes available through Special Designs.**



Add 2-1/4" to width listed in chart for actual overall width including trim moulding.

Height	FX2PL - Series					
	Part Number					
24"	FX2PL-30x24	FX2PL-36x24	FX2PL-42x24	FX2PL-48x24	FX2PL-54x24	FX2PL-60x24
30"	FX2PL-30x30	FX2PL-36x30	FX2PL-42x30	FX2PL-48x30	FX2PL-54x30	FX2PL-60x30
36"	FX2PL-30x36	FX2PL-36x36	FX2PL-42x36	FX2PL-48x36	FX2PL-54x36	FX2PL-60x36
42"	FX2PL-30x42	FX2PL-36x42	FX2PL-42x42	FX2PL-48x42	FX2PL-54x42	FX2PL-60x42
48"	FX2PL-30x48	FX2PL-36x48	FX2PL-42x48	FX2PL-48x48	FX2PL-54x48	FX2PL-60x48
54"	FX2PL-30x54	FX2PL-36x54	FX2PL-42x54	FX2PL-48x54	FX2PL-54x54	FX2PL-60x54

Please refer to pricing through Con-Nex, our online ordering program

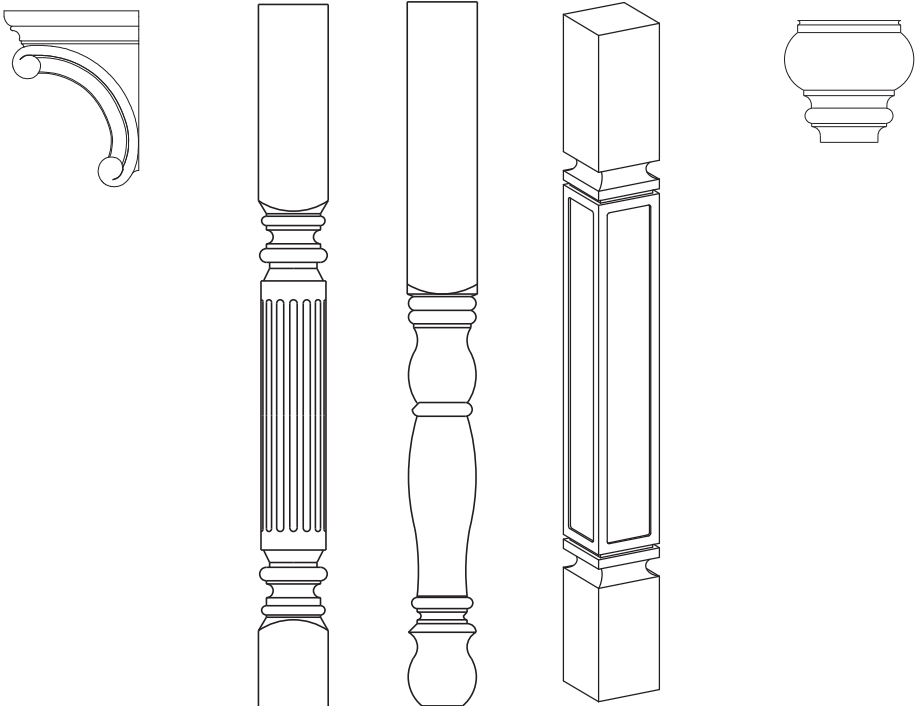
Decorative Elements and Accents

Conestoga has partnered with some of the leading industry providers of decorative woodcarvings to bring you this inclusive collection. Conestoga’s accessory offering includes a wide variety of corbels, legs, columns, corner posts, and other decorative elements. Items ordered from this collection will be consolidated with the rest of your Conestoga products and ship as a complete order. Because of transportation time required from some suppliers, additional lead-time may be necessary.

- Specie availability varies by product and is indicated by the specie part number listed with each product drawing. Pricing for all items can be found on the Customer Business Portal.
- Because of the various manufacturing and sanding techniques used to produce these decorative products, slight variations in finished appearance may occur. These variations will not be considered defective.
- Due to the size and complexity of design, many of these products utilize edge glued lumber. This may result in grain pattern, wood color and finish variations.
- In addition to the wood carvings and turnings shown on the following pages, Conestoga has established a comprehensive program with Art For Everyday. Known for their exquisite carving capabilities, Art for Everyday is a leader in carved components and provides Conestoga access to thousands of carved items. Complete images and price lists can be found on the Customer Business Portal, under the Marketing Resources tab. All Art For Everyday products can receive any of Conestoga’s standard finishes.

Finishing

Conestoga offers finishing on all decorative elements and accents. This allows you to simplify your shop process and purchase accessories along with your finished door order. See the Finishing Program Section for available stain, Colourtone, primer, Prism Paint and glaze combinations.



Decorative Turning Program

Conestoga's turning offering features a large collection of columns, table legs, island posts and feet. The offering consists of standard products shown on the following pages, as well as the capability to produce a variety of custom turnings. These items may include stair and furniture parts, tall columns and non-standard species.

Standard Offering

- Conestoga's standard offering of table legs, island posts and feet is typically available in the industry's most popular species. Depending on the item, Paint Grade will be an unselected closed-grain hardwood.
- The majority of table legs and island posts are available in three options - whole, split and 3/4. This allows for consistency within the design of the kitchen or bath while also providing flexibility in the manner in which the legs are used.
- Whole and 3/4 items can be ordered individually, while splits must be ordered in pairs.
- Lead-times for table legs, island posts and feet are 7-10 days. Some items can be expedited; refer to footnotes at the bottom of each page for expedite availability.
- Parts must be ordered by part number according to specie and whole, split or 3/4.

Custom Offering

- Conestoga's custom turning program allows you to special order any kind of turned product. These items may include 10 ft. columns, staircase parts or any other custom designed turning you may need. These options also include:
 - ◆ Designs from the standard offering, in species or dimensions that are not standard.
 - ◆ Modifications to legs and columns from the standard offering.
 - ◆ Matching a turning that you may already utilize.
 - ◆ Completely new designs that you have created.
- Orders can be of any quantity.
- Lead-times are dependent on the size of the order and specie requested.

Ordering a Custom Turning

- In order to receive a quote for a custom turning, one of the following items is needed along with a completed Quote Request Form from the following page:
 - ◆ An actual hard sample of a turning you would like to have reproduced.
 - ◆ A CAD file of a turning that you have designed.
 - ◆ A detailed dimensioned sketch of a turning you have designed*.
- You will be asked to sign-off on the quote prior to production of the order beginning.
- Written customer approval of quote and CAD drawing (if applicable) must be received prior to the production of turning.

Size Restrictions

- Turnings can be made to a maximum diameter of 12".
- Minimum height of 2", maximum height of 10'.
- Turnings ordered longer than 65" will be manufactured in two pieces and can be joined together using the included lag bolt. Both pieces will be made from the same blank so grain will match from piece to piece.

*A \$35.00 net charge will be incurred for CAD file to be created.

Custom Turning Order Form

Customer Name: _____
 Account Number: _____
 Part Number (if applicable): _____
 Part description: _____

Date: _____

Check One:

- Designs from the standard offering, in a non-published specie
- Modifications to legs, posts and feet from the standard offering
- Matching a unique turning sample
- Completely new design from sketch

Included with this form:

- Hard sample to be duplicated
- CAD file of new design
- Detailed dimensioned sketch of new design
- None (to be checked only when ordering a design from the standard offering in a non-published specie)

Specie: _____
 Quantity: _____
 Finish (if applicable): _____

Special Instructions

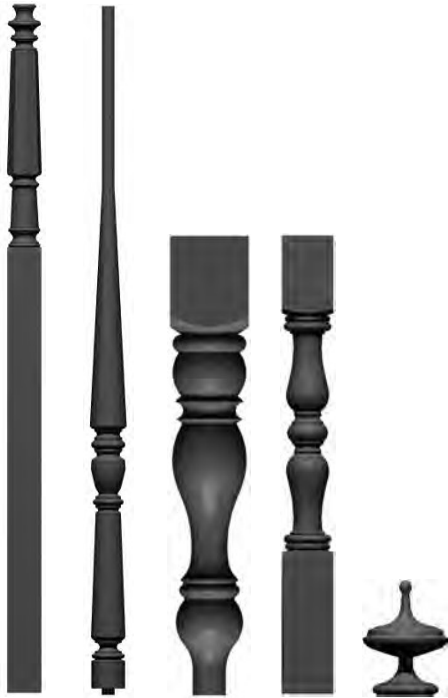


Table Legs and Decorative Columns

Mission Plain

Specie	Whole	Split**	3/4
Cherry	2652562A	2652566A	2652570A
Maple	2652563A	2652567A	2652571A
Paint Grade	2652564A	2652568A	2652572A
Red Oak	2652565A	2652569A	2652573A

Mission Partial Rout

Specie	Whole	Split**	3/4
Cherry	2652538A	2652542A	2652546A
Maple	2652539A	2652543A	2652547A
Paint Grade	2652540A	2652544A	2652548A
Red Oak	2652541A	2652545A	2652549A

Mission Full Rout

Specie	Whole	Split**	3/4
Cherry	2652526A	2652530A	2652534A
Maple	2652527A	2652531A	2652535A
Paint Grade	2652528A	2652532A	2652536A
Red Oak	2652529A	2652533A	2652537A

Arts & Crafts Post

Specie	Whole	Split**	3/4
Cherry	635.74.620	N/A	N/A
Maple	635.74.120	N/A	N/A
Red Oak	635.74.420	N/A	N/A

Please refer to pricing through Con-Nex, our online ordering program

**Must purchase in pairs.

Standard lead-time is 7-10 days, expedites not available.

Table Legs and Decorative Columns (continued)

Ashbee Square

Also available in a 42" height.

Specie	Whole	Split**	3/4
Alder	2651295A	2651299A	2651303A
Cherry	2651293A	2651297A	2651301A
Maple	2651294A	2651298A	2651302A
Red Oak	2651292A	2651296A	2651300A

Ashbee Square

Also available in a 42" height.

Specie	Whole	Split**	3/4
Alder	2651319A	2651323A	2651327A
Cherry	2651317A	2651321A	2651325A
Maple	2651318A	2651322A	2651326A
Red Oak	2651316A	2651320A	2651324A

Townsend Square

Specie	Whole	Split**	3/4
Alder	2655816A	2655817A	N/A
Cherry	2655818A	2655819A	N/A
Maple	2655820A	2655821A	N/A
Red Oak	2655814A	2655815A	N/A

Hudson Post

Specie	Whole	Split**	3/4
Alder	2655577A	N/A	N/A
Cherry	2655578A	N/A	N/A
Maple	2655579A	N/A	N/A
Paint Grade	2655580A	N/A	N/A
Red Oak	2655581A	N/A	N/A

Please refer to pricing through Con-Nex, our online ordering program

**Must purchase in pairs.

Standard lead-time is 7-10 days, expedites not available.

Table Legs and Decorative Columns (continued)

Hillsboro Square

Specie	Whole	Split**	3/4
Alder	2655582A	N/A	N/A
Cherry	2655583A	N/A	N/A
Maple	2655584A	N/A	N/A
Paint Grade	2655585A	N/A	N/A
Red Oak	2655586A	N/A	N/A

Hillsboro Square

Specie	Whole	Split**	3/4
Alder	2655587A	N/A	N/A
Cherry	2655588A	N/A	N/A
Maple	2655589A	N/A	N/A
Paint Grade	2655590A	N/A	N/A
Red Oak	2655591A	N/A	N/A

Pinnacle

Specie	Whole	Split**	3/4
Alder	2655836A	2655837A	N/A
Cherry	2655838A	2655839A	N/A
Maple	2655840A	2655841A	N/A
Red Oak	2655834A	2655835A	N/A

2 Sided Taper

Also available in 2-3/4" and 4-1/4" widths as well as 42" height.

Specie	Whole	Split**	3/4
Alder	2651363A	N/A	N/A
Cherry	2651361A	N/A	N/A
Maple	2651362A	N/A	N/A
Paint Grade	2655780A	N/A	N/A
Red Oak	2651360A	N/A	N/A

Please refer to pricing through Con-Nex, our online ordering program

**Must purchase in pairs. Standard lead-time is 7-10 days, expedites not available.

Table Legs and Decorative Columns (continued)

Dunkirk Square

Also available in a 42" height as well as 2" and 5" widths.

Specie	Whole	Split	3/4
Alder	2652428A	N/A	N/A
Cherry	2652429A	N/A	N/A
Maple	2652430A	N/A	N/A
Paint Grade	2652431A	N/A	N/A
Red Oak	2652432A	N/A	N/A

Dunkirk Square

Also available in a 42" height as well as 2" and 5" widths.

Specie	Whole	Split	3/4
Alder	2652438A	N/A	N/A
Cherry	2652439A	N/A	N/A
Maple	2652440A	N/A	N/A
Paint Grade	2652441A	N/A	N/A
Red Oak	2652442A	N/A	N/A

Denmark Square w/Metal Sleeve

Note: Metal sleeve and leg sold together, cannot be ordered separately.
Only available in whole.

Size	Specie	Brushed Aluminum	Wrought Iron
		Whole	Whole
3"	Alder	2655956A	2655957A
	Cherry	2655958A	2655959A
	Maple	2655960A	2655961A
	Red Oak	2655962A	2655963A
4"	Alder	2655964A	2655965A
	Cherry	2655966A	2655967A
	Maple	2655968A	2655969A
	Red Oak	2655970A	2655971A

Bexley Square

Specie	Whole	Split	3/4
Cherry	635.50.688	N/A	N/A
Maple	635.50.188	N/A	N/A
Red Oak	635.50.488	N/A	N/A

Please refer to pricing through Con-Nex, our online ordering program

Table Legs and Decorative Columns (continued)

Buckingham Square Post

Also available in a 4-3/4" square.

Specie	Whole	Split	3/4
Alder	2653051A	N/A	N/A
Cherry	2653052A	N/A	N/A
Maple	2653053A	N/A	N/A
Paint Grade	2653054A	N/A	N/A
Red Oak	2653055A	N/A	N/A

Baldwin Square

Specie	Whole	Split	3/4
Alder	2652579A	N/A	N/A
Cherry	2652580A	N/A	N/A
Maple	2652581A	N/A	N/A
Paint Grade	2652582A	N/A	N/A
Red Oak	2652583A	N/A	N/A

Allendale Square

Specie	Whole	Split	3/4
Alder	2652609A	N/A	N/A
Cherry	2652610A	N/A	N/A
Maple	2652611A	N/A	N/A
Paint Grade	2652612A	N/A	N/A
Red Oak	2652613A	N/A	N/A

Please refer to pricing through Con-Nex, our online ordering program

Table Legs and Decorative Columns (continued)

Lakeland Square

Specie	Whole	Split	3/4
Alder	2655592A	N/A	N/A
Cherry	2655593A	N/A	N/A
Maple	2655594A	N/A	N/A
Paint Grade	2655595A	N/A	N/A
Red Oak	2655596A	N/A	N/A

Newburg Square

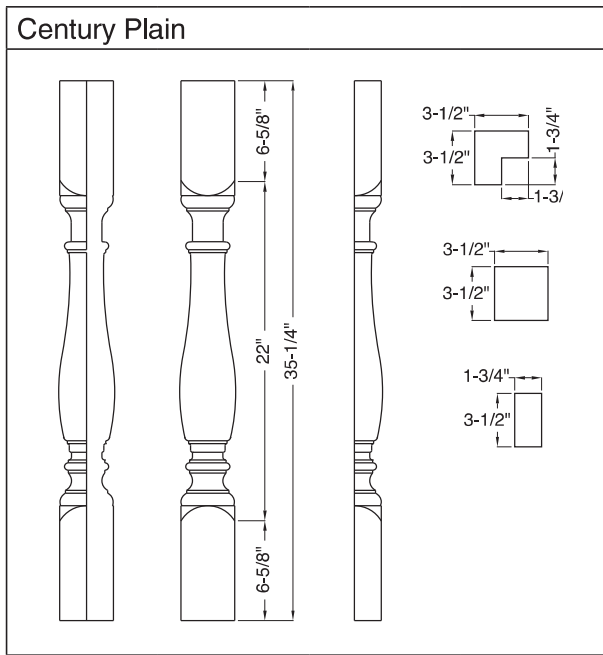
Specie	Whole	Split	3/4
Alder	2655597A	N/A	N/A
Cherry	2655598A	N/A	N/A
Maple	2655599A	N/A	N/A
Paint Grade	2655600A	N/A	N/A
Red Oak	2655601A	N/A	N/A

Woodmere

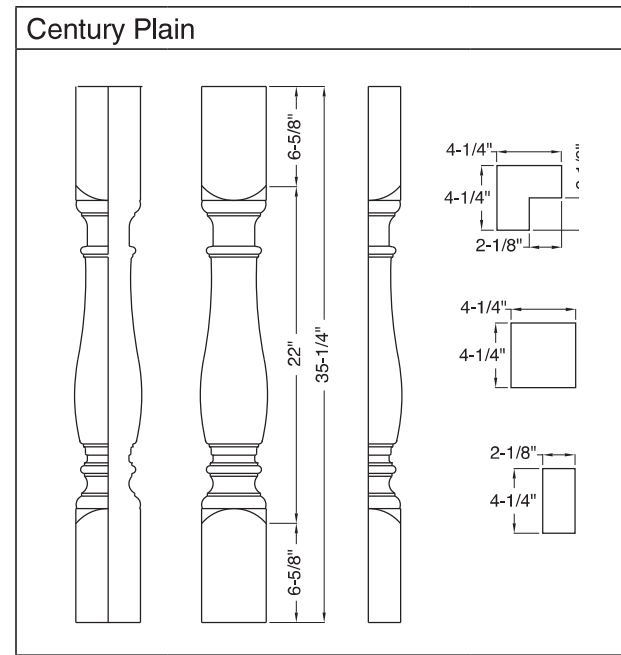
Specie	Whole	Split	3/4
Cherry	635.75.004	N/A	N/A
Maple	635.75.024	N/A	N/A

Please refer to pricing through Con-Nex, our online ordering program

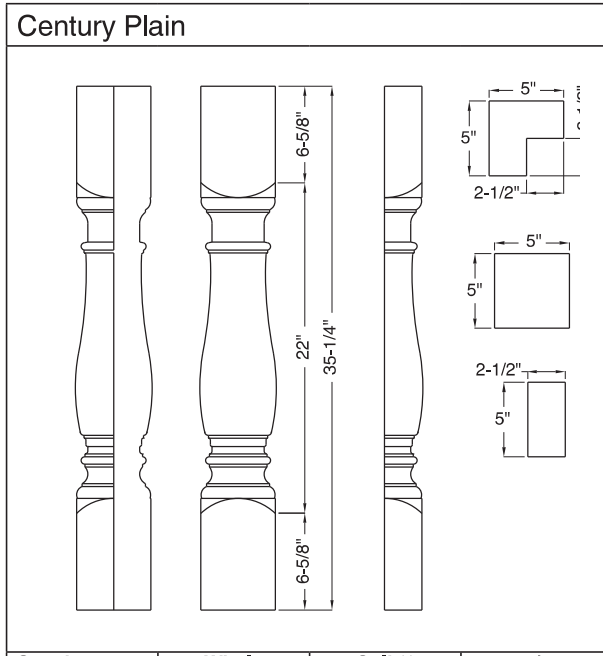
Table Legs and Decorative Columns (continued)



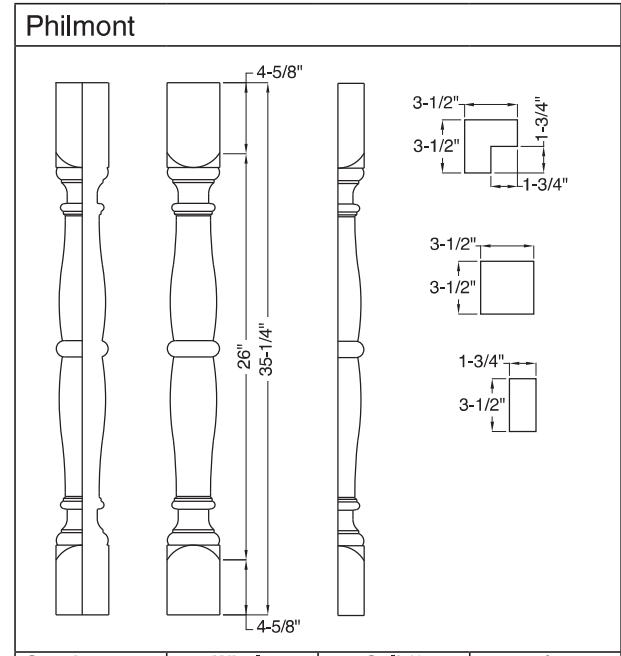
Specie	Whole	Split**	3/4
Cherry	2650461A	2650464A	2650467A
Maple	2650462A	2650465A	2650468A
Paint Grade	2655732A	2655733A	2655734A
Red Oak	2650463A	2650466A	2650469A



Specie	Whole	Split**	3/4
Cherry	2650470A	2650473A	2650476A
Maple	2650471A	2650474A	2650477A
Paint Grade	2655523A	2655524A	2655525A
Red Oak	2650472A	2650475A	2650478A



Specie	Whole	Split**	3/4
Cherry	2650850A	2650854A	2650858A
Maple	2650851A	2650855A	2650859A
Paint Grade	2655757A	2655758A	2655759A
Red Oak	2650852A	2650856A	2650860A



Specie	Whole	Split**	3/4
Alder	2650801A	2650805A	2650809A
Cherry	2650802A	2650806A	2650810A
Maple	2650803A	2650807A	2650811A
Paint Grade	2655556A	2655557A	2655558A
Red Oak	2650804A	2650808A	2650812A

Please refer to pricing through Con-Nex, our online ordering program

**Must purchase in pairs.

Table Legs and Decorative Columns (continued)

Country Kitchen Plain

Specie	Whole	Split**	3/4
Alder	2650728A	2650729A	2650730A
Cherry	2650443A	2650446A	2650449A
Maple	2650444A	2650447A	2650450A
Paint Grade	2655520A	2655521A	2655522A
Red Oak	2650445A	2650448A	2650451A

Greco Roman Plain

Also available in a 42" height.

Specie	Whole	Split**	3/4
Cherry	2650236A	2650239A	2650242A
Maple	2650237A	2650240A	2650243A
Paint Grade	2655721A	2655722A	2655723A
Red Oak	2650238A	2650241A	2650244A

Greco Roman Fluted

Specie	Whole	Split**	3/4
Cherry	2650272A	2650275A	N/A
Maple	2650273A	2650276A	N/A
Paint Grade	2655727A	2655728A	N/A
Red Oak	2650274A	2650277A	N/A

Greco Roman Fluted

Specie	Whole	Split**	3/4
Cherry	2650284A	2650287A	N/A
Maple	2650285A	2650288A	N/A
Paint Grade	2655499A	2655495A	N/A
Red Oak	2650286A	2650289A	N/A

Please refer to pricing through Con-Nex, our online ordering program

**Must purchase in pairs.

Table Legs and Decorative Columns (continued)

Waverly

Specie	Whole	Split**	3/4
Alder	2651228A	2651232A	N/A
Cherry	2651226A	2651230A	N/A
Maple	2651225A	2651229A	N/A
Paint Grade	2655775A	2655776A	N/A
Red Oak	2651227A	2651231A	N/A

Basket Weave

Specie	Whole	Split**	3/4
Alder	N/A	N/A	N/A
Cherry	2651005A	2651008A	N/A
Maple	2651006A	2651009A	N/A
Paint Grade	2655559A	2655560A	N/A
Red Oak	2651007A	2651010A	N/A

Athens

Also available in 4 1/4" width.

Specie	Whole	Split**	3/4
Alder	2651268A	2651272A	2651276A
Cherry	2651266A	2651270A	2651274A
Maple	2651265A	2651269A	2651273A
Paint Grade	2655537A	2655538A	2655539A
Red Oak	2651267A	2651271A	2651275A

Federal Post

Specie	Whole	Split**	3/4
Alder	2651100A	2651104A	2651108A
Cherry	2651101A	2651105A	2651109A
Maple	2651102A	2651106A	2651110A
Paint Grade	2655768A	2655769A	2655770A
Red Oak	2651103A	2651107A	2651111A

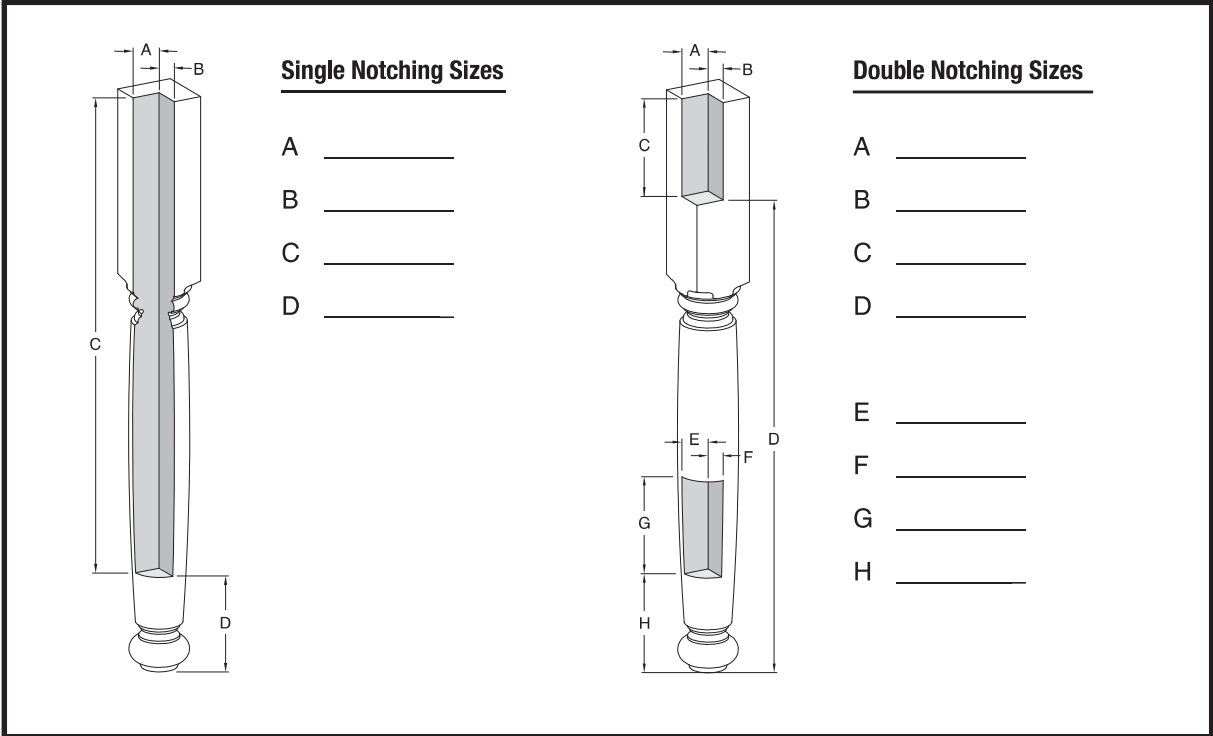
Please refer to pricing through Con-Nex, our online ordering program

**Must purchase in pairs.

Custom Notching - Table Legs

- Leg notching is a custom millwork option used to conceal face frame ends and corners on island cabinetry. Custom notched table legs and posts will be manufactured to your exact requirements.
- Select table leg and post styles from the prior pages; contact Customer Service for availability.
- Available only on whole table legs and posts.
- Custom notching is not available on feet, corbels or appliques.
- Lead-time 12-15 days unfinished, add 5-6 days for finishing.
- The Single Notching Option does not run the entire length of the leg. Please specify depth, width and height of notch.
- The Double Notching Option will be notched in two places. Please specify depth, width and height for both notches.

Custom Notching Order Form	
Customer Name:	Order Date:
Customer#:	PO#:
Leg/Post Part #:	Leg/Post Description:
Specie:	Quantity:
Finish (if applicable): _____ Glaze: _____ Sheen: <input type="checkbox"/> 10° <input type="checkbox"/> 30°	
Special Instructions:	



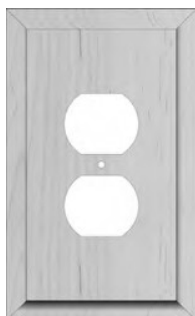
**Please refer to pricing through Con-Nex,
our online ordering program**

Receptacle Notching

- Receptacle notching is a custom millwork option developed to allow electrical service installations on island post applications.
- Receptacle notching is available on select table legs/posts only and is not available on feet, corbels, appliqués or other ornaments.
- Available only with whole legs – splits and 3/4 options are not available.
- Receptacle box and wiring is not included. Check your building codes for proper box and wiring codes.
- Holes for the wiring will be drilled in only one of the four locations – left, right, top or back. You must specify the hole location for wiring. We do not drill through the entire length of the table leg/post.
- If choosing 3-1/2" wide table legs, please be aware that some outlet covers may extend beyond the column width. This is due to +/- tolerances of both the table leg and the outlet cover.
- The dimensions of the rout are 2.375" wide, 2.875" deep and 4.125" high.
- For a beginning point of reference for machining the notch, you must indicate the height from the top of the leg to the start of the rout (see drawing on following page).
- Receptacle covers are available through Conestoga's Wood Outlet Cover program, or through many home centers.
- Customization of receptacle notch not available.
- Lead-time of 5 additional days is required for this option.

12

Legs, Corbels & Accents



Duplex receptacle solid wood outlet plate

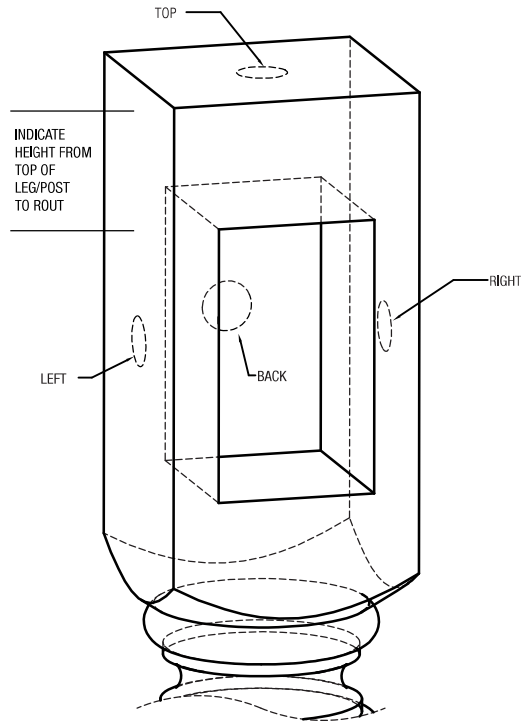
- See page 12.16 for a listing of available species. Overall dimensions are 3-1/2" wide by 5-3/4" high.
- Table legs/posts available with solid wood outlet plates: 2 Sided Taper, Allendale Square, Baldwin Square, Basket Weave, Century Plain, Greco Roman Fluted, Greco Roman Plain, Mission Full Rout, Mission Partial Rout, Mission Plain, Newburg Square and Waverly.

Duplex receptacle nylon outlet plate

- Available from most home centers or hardware stores. Overall dimensions are typically 3-1/8" wide by 4-3/4" high.
- Table legs/posts available with nylon outlet plates: 2 Sided Taper, Allendale Square, Ashbee Square, Baldwin Square, Basket Weave, Century Plain, Greco Roman Fluted, Greco Roman Plain, Mission Full Rout, Mission Partial Rout, Mission Plain, Newburg Square and Waverly.

**Please refer to pricing through Con-Nex,
our online ordering program**

Receptacle Notching Order Form	
Customer Name:	Order Date:
Customer#:	PO#:
Leg/Post Part #:	Leg/Post Description:
Specie:	Quantity:
Hole location for wiring: <input type="checkbox"/> Left <input type="checkbox"/> Back <input type="checkbox"/> Top <input type="checkbox"/> Right	Height from top to rout (see diagram below):
Finish (if applicable): _____ Glaze: _____ Sheen: <input type="checkbox"/> 10° <input type="checkbox"/> 30°	
Special Instructions:	



Outlet and Switch Plates

Outlet Plate

Specie	Part No.
Alder	2655701A
Cherry	2655702A
Maple	2655703A
Red Oak	2655704A
Walnut	2656065A

Outlet Plate

Specie	Part No.
Alder	2655713A
Cherry	2655714A
Maple	2655715A
Red Oak	2655716A
Walnut	2656068A

Switch Plate

Specie	Part No.
Alder	2655697A
Cherry	2655698A
Maple	2655699A
Red Oak	2655700A
Walnut	2656064A

Switch Plate

Specie	Part No.
Alder	2655709A
Cherry	2655710A
Maple	2655711A
Red Oak	2655712A
Walnut	2656067A

Switch Plate

Specie	Part No.
Alder	2655705A
Cherry	2655706A
Maple	2655707A
Red Oak	2655708A
Walnut	2656066A

Switch Plate

Specie	Part No.
Alder	2655717A
Cherry	2655718A
Maple	2655719A
Red Oak	2655720A
Walnut	2656069A

Switch Plate

Specie	Part No.
Alder	2656070A
Cherry	2656071A
Maple	2656072A
Red Oak	2656073A
Walnut	2656074A

Switch Plate

Specie	Part No.
Alder	2656075A
Cherry	2656076A
Maple	2656077A
Red Oak	2656078A
Walnut	2656079A

Switch Plate

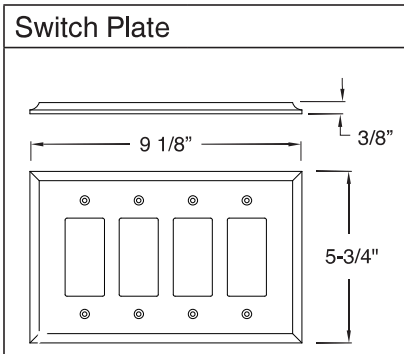
Specie	Part No.
Alder	2656080A
Cherry	2656081A
Maple	2656082A
Red Oak	2656083A
Walnut	2656084A

Please refer to pricing through Con-Nex, our online ordering program

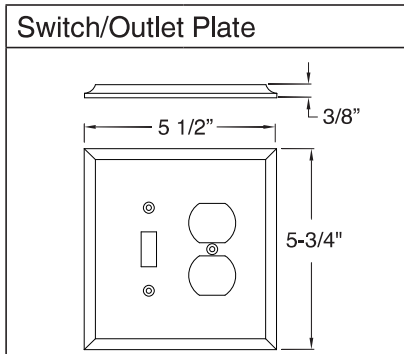
Standard lead-time is 7-10 days.

Expedites available: 3 day red expedite (20% upcharge), blue expedite not available.

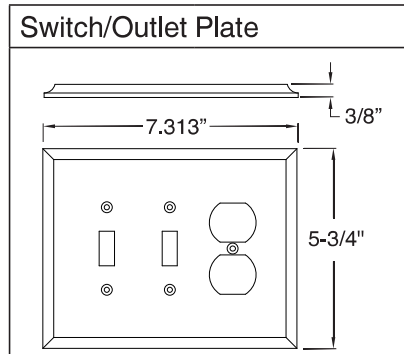
Outlet and Switch Plates (continued)



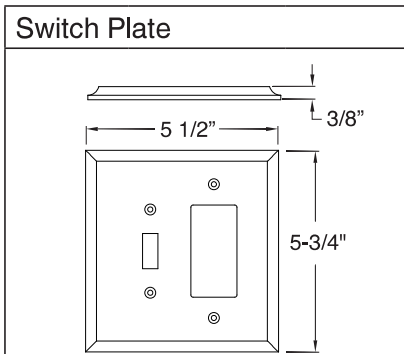
Specie	Part No.
Alder	2656085A
Cherry	2656086A
Maple	2656087A
Red Oak	2656088A
Walnut	2656089A



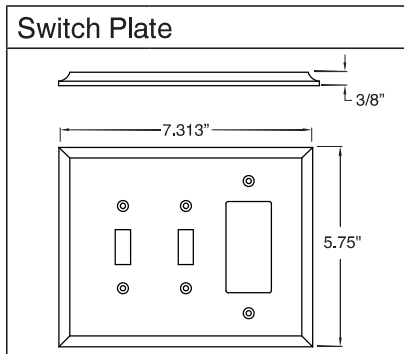
Specie	Part No.
Alder	2656090A
Cherry	2656091A
Maple	2656092A
Red Oak	2656093A
Walnut	2656094A



Specie	Part No.
Alder	2656095A
Cherry	2656096A
Maple	2656097A
Red Oak	2656098A
Walnut	2656099A



Specie	Part No.	Price
Alder	2656100A	\$45.00
Cherry	2656101A	45.00
Maple	2656102A	45.00
Red Oak	2656103A	45.00
Walnut	2656104A	50.00



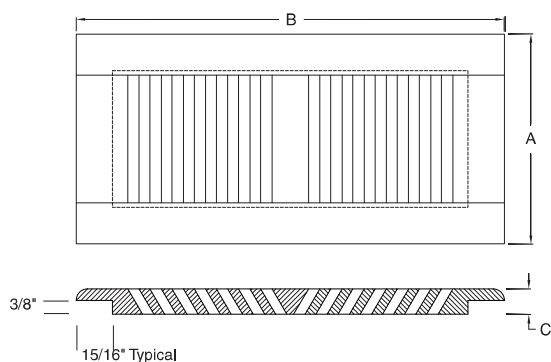
Specie	Part No.
Alder	2656105A
Cherry	2656106A
Maple	2656107A
Red Oak	2656108A
Walnut	2656109A

Please refer to pricing through Con-Nex,
our online ordering program

Vent Covers

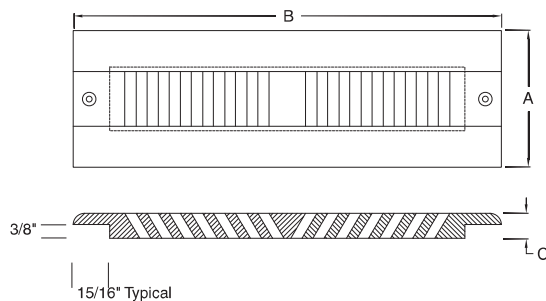
- All vent covers crafted from solid hardwoods and made in the USA.
- Vent covers are made to fit seamlessly with your hardwood floors, against the toe kicks of your kitchen cabinets, against baseboards and walls.
- Toe Kick Vent Cover is pre-drilled to accept two mounting screws.
- Fixed slats diffuse air in two directions (non-adjustable).
- Custom sizes and designs are available. Contact Special Designs for a quote.
- Vent covers are available unfinished or finished; reference the Finishing Program Section for finish options and pricing.
- Lead-time 10 days unfinished, add 5 days for finishing.

Floor Vent Cover



Specie	Part No.	Dimension		
		A	B	C
Cherry	2655791A	5-3/4"	11-3/4"	3/4"
Maple	2655792A	5-3/4"	11-3/4"	3/4"
Red Oak	2655793A	5-3/4"	11-3/4"	3/4"
Walnut	2656125A	5-3/4"	11-3/4"	3/4"
Cherry	2655794A	5-3/4"	13-3/4"	3/4"
Maple	2655795A	5-3/4"	13-3/4"	3/4"
Red Oak	2655796A	5-3/4"	13-3/4"	3/4"
Walnut	2656126A	5-3/4"	13-3/4"	3/4"
Cherry	2655797A	5-3/4"	15-3/4"	3/4"
Maple	2655798A	5-3/4"	15-3/4"	3/4"
Red Oak	2655799A	5-3/4"	15-3/4"	3/4"
Walnut	2656127A	5-3/4"	15-3/4"	3/4"

Toe Kick Vent Cover



Specie	Part No.	Dimension		
		A	B	C
Cherry	2655782A	3-5/8"	11-3/4"	3/4"
Maple	2655783A	3-5/8"	11-3/4"	3/4"
Red Oak	2655784A	3-5/8"	11-3/4"	3/4"
Walnut	2656122A	3-5/8"	11-3/4"	3/4"
Cherry	2655785A	3-3/4"	13-3/4"	3/4"
Maple	2655786A	3-3/4"	13-3/4"	3/4"
Red Oak	2655787A	3-3/4"	13-3/4"	3/4"
Walnut	2656123A	3-3/4"	13-3/4"	3/4"
Cherry	2655788A	3-3/4"	15-3/4"	3/4"
Maple	2655789A	3-3/4"	15-3/4"	3/4"
Red Oak	2655790A	3-3/4"	15-3/4"	3/4"
Walnut	2656124A	3-3/4"	15-3/4"	3/4"

Please refer to pricing through Con-Nex,
our online ordering program

Create a Column

Split Spindles (accommodates 1-1/2" moulding)

Specie	Part No.
Cherry	2650095A
Maple	2650094A

End Blocks (accommodates 1-1/2" moulding)

Specie	Part No.
Cherry	2650101A
Maple	2650100A

1-1/2" Mouldings

Plain

Specie	Part No.	Specie	Part No.
Cherry	2650104A	Maple	2650103A

Reeded

Specie	Part No.	Specie	Part No.
Cherry	2650110A	Maple	2650109A

Rope

Specie	Part No.	Specie	Part No.
Cherry	112R	Maple	112R

Standard lead-time is 7-10 days, expedites not available.

Please refer to pricing through Con-Nex, our online ordering program

Standard lead-time is 7-10 days, expedites not available.

Expedites available: 3 day red expedite (20% upcharge), blue expedite not available.

Wood Feet

Albion Square Foot

Specie	Whole
Alder	2652629A
Cherry	2652630A
Maple	2652631A
Paint Grade	2652632A
Red Oak	2652633A

Albion Square Foot

Specie	Whole
Alder	2652634A
Cherry	2652635A
Maple	2652636A
Paint Grade	2652637A
Red Oak	2652638A

Bailey Square Foot

Specie	Whole
Alder	2652624A
Cherry	2652625A
Maple	2652626A
Paint Grade	2652627A
Red Oak	2652628A

Bun Foot

Specie	Whole	Split**
Alder	2650773A	2650774A
Cherry	2650581A	2650584A
Maple	2650582A	2650585A
Paint Grade	2655739A	2655740A
Red Oak	2650583A	2650586A

Corbett Square Foot

Specie	Whole
Alder	2655647A
Cherry	2655648A
Maple	2655649A
Paint Grade	2655650A
Red Oak	2655651A

Cosmopolitan Foot

Specie	Whole	Split**
Alder	2650784A	2650785A
Cherry	2650611A	2650614A
Maple	2650612A	2650615A
Paint Grade	2655747A	2655748A
Red Oak	2650613A	2650616A

Country French Foot

Specie	Whole	Split**
Alder	2650763A	2650764A
Cherry	2650551A	2650554A
Maple	2650552A	2650555A
Paint Grade	2655735A	2655736A
Red Oak	2650553A	2650556A

Country French Foot

Specie	Whole	Split**
Alder	2650765A	2650766A
Cherry	2650557A	2650560A
Maple	2650558A	2650561A
Paint Grade	2655737A	2655738A
Red Oak	2650559A	2650562A

Countryside Foot

Specie	Whole	Split**
Alder	2650782A	2650783A
Cherry	2650605A	2650608A
Maple	2650606A	2650609A
Paint Grade	2655551A	2655552A
Red Oak	2650607A	2650610A

Please refer to pricing through Con-Nex, our online ordering program

**Must purchase in pairs.

Standard lead-time is 7-10 days, expedites not available.

Expedites available: 3 day red expedite (20% upcharge) and blue expedite not available.

Wood Feet (continued)

Estate Foot Reeded

Specie	Whole	Split**
Alder	2650780A	2650781A
Cherry	2650599A	2650602A
Maple	2650600A	2650603A
Paint Grade	2655745A	2655746A
Red Oak	2650601A	2650604A

Estate Foot Plain

Specie	Whole	Split**
Alder	2650775A	2650777A
Cherry	2650587A	2650590A
Maple	2650588A	2650591A
Paint Grade	2655741A	2655742A
Red Oak	2650589A	2650592A

French Scroll Foot

Specie	Whole
Cherry	634.27.616
Maple	634.27.116

Harlow Square Foot

Specie	Whole
Alder	2652639A
Cherry	2652640A
Maple	2652641A
Paint Grade	2652642A
Red Oak	2652643A

Harlow Square Plain

Specie	Whole
Alder	2655642A
Cherry	2655643A
Maple	2655644A
Paint Grade	2655645A
Red Oak	2655646A

Hillman Square Foot

Specie	Whole
Alder	2652614A
Cherry	2652615A
Maple	2652616A
Paint Grade	2652617A
Red Oak	2652618A

Hillman Square Foot

Specie	Whole
Alder	2652619A
Cherry	2652620A
Maple	2652621A
Paint Grade	2652622A
Red Oak	2652623A

Hobart Square Foot

Specie	Whole
Cherry	2652474A
Maple	2652475A
Paint Grade	2652476A

Kennett Square Foot

Specie	Whole
Cherry	2655800A
Maple	2655801A
Paint Grade	2655802A

Please refer to pricing through Con-Nex, our online ordering program

**Must purchase in pairs. Standard lead-time is 7-10 days.

Wood Feet (continued)

Kreswick Foot

Specie	Whole
Alder	2653056A
Cherry	2653057A
Maple	2653058A
Paint Grade	2653059A
Red Oak	2653060A

Orwell Foot

Specie	Whole	Split**
Alder	2652418A	2652423A
Cherry	2652419A	2652424A
Maple	2652420A	2652425A
Paint Grade	2652421A	2652426A
Red Oak	2652422A	2652427A

Shaker Square Foot

Specie	Whole
Alder	2655627A
Cherry	2655628A
Maple	2655629A
Paint Grade	2655630A
Red Oak	2655631A

Square Taper Foot

Specie	Whole	Split**
Alder	2650788A	2650789A
Cherry	2650623A	2650626A
Maple	2650624A	2650627A
Paint Grade	2655751A	2655752A
Red Oak	2650625A	2650628A

Square Taper Foot

Specie	Whole	Split**
Alder	2650790A	2650791A
Cherry	2650629A	2650632A
Maple	2650630A	2650633A
Paint Grade	2655753A	2655754A
Red Oak	2650631A	2650634A

Tulip Foot

Specie	Whole	Split**
Alder	2650767A	2650768A
Cherry	2650563A	2650566A
Maple	2650564A	2650567A
Paint Grade	2655547A	2655548A
Red Oak	2650565A	2650568

Tulip Foot

Specie	Whole	Split**
Alder	2650769A	2650770A
Cherry	2650569A	2650572A
Maple	2650570A	2650573A
Paint Grade	2655549A	2655550A
Red Oak	2650571A	2650574A

Vessel Foot

Specie	Whole	Split**
Alder	2652408A	2652413A
Cherry	2652409A	2652414A
Maple	2652410A	2652415A
Paint Grade	2652411A	2652416A
Red Oak	2652412A	2652417A

Please refer to pricing through Con-Nex, our online ordering program

**Must purchase in pairs.

Standard lead-time is 7-10 days.

12.22 Expedites available: 3 day red expedite (20% upcharge) and 5 day blue expedite not available.

Custom Products | Summer 2023

Wood Feet (continued)

Rochelle Foot (Corner)

Specie	Whole
Cherry	2652480A
Maple	2652481A
Paint Grade	2652482A

Rochelle Foot (Corner)

Specie	Whole
Cherry	2652477A
Maple	2652478A
Paint Grade	2652479A

Rochelle Straight Foot (Left & Right)

Specie	Whole**
Alder	2652524A
Cherry	2652517A
Maple	2652518A
Paint Grade	2652519A

Rochelle Straight Foot (Left & Right)

Specie	Whole**
Alder	2652525A
Cherry	2652514A
Maple	2652515A
Paint Grade	2652516A

Rochelle Moulding

Specie	Whole
Cherry	2651000A
Maple	2651001A
Paint Grade	2655561A

Please refer to pricing through Con-Nex, our online ordering program

**Part numbers shown are for the pair.

Metal Feet

Triframe Foot



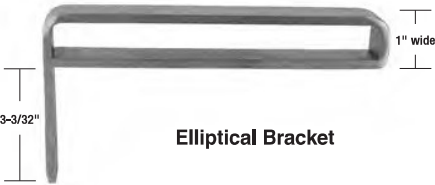
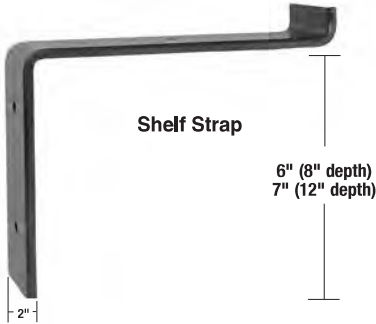
- Made from steel, laser cut, then hand welded.
- Choice of Gunmetal Grey and Wrought Iron powder coated finishes.
- Available in 6" and 9" heights.
- Usable outdoors as well as indoors.
- Works well with free-standing cabinets. 9" feet make free standing cabinets ADA compliant.
- Sold as individual pieces – for a pair, must order two feet.

Triframe Foot Part Number*		
Finish	6" Foot	9" Foot
Gunmetal Grey	2655973A	2655978A
Wrought Iron	2655976A	2655981A

*Part number reflects each.

Standard lead-time is 7-10 days, expedites not available.

Metal Shelf Supports



Shelf Supports

- Provide attractive alternatives to the traditional floating shelf.
- The Shelf Strap and Elliptical Bracket are available in 8" and 12" depths.
- Finish options include Gold, Gunmetal Grey, Stainless Steel and Wrought Iron powder coated finishes. Installation screws in matching finish are included.
- It is imperative that the shelf supports are secured into wall studs with installation screws. Conestoga will not be responsible for shelf failure due to inadequate installation techniques or materials.
- Wood shelves not included. Wood shelves can be ordered as 3/4" or 1" thick slabs in any specie. Note: 60" max. length for two shelf straps.
- For an aged or rustic look on wood shelving, add distressing and wear sanding or utilize the weathered grain option.
- Sold as individual pieces – for a pair, must order two supports.

Shelf Strap Part Number*		
Finish	8" Depth	12" Depth
Gold	2655944A	2655950A
Gunmetal Grey	2655945A	2655951A
Stainless Steel	2655948A	2655954A
Wrought Iron	2655949A	2655955A

Elliptical Bracket Part Number*		
Finish	8" Depth	12" Depth
Gold	2655932A	2655938A
Gunmetal Grey	2655933A	2655939A
Stainless Steel	2655936A	2655942A
Wrought Iron	2655937A	2655943A

*Part Number reflects each

Please refer to pricing through Con-Nex, our online ordering program

Decorative Floating Shelf Straps

- Add a finishing touch to any of our 10" deep floating shelves with the Lexington Shelf Strap.
- For decorative purposes only. Not intended to be weight bearing.
- Finish options include Gunmetal Grey, Stainless Steel and Wrought Iron powder coated finishes. Installation screws in matching finish are included.
- Sold as individual pieces - for a pair, must order two supports.

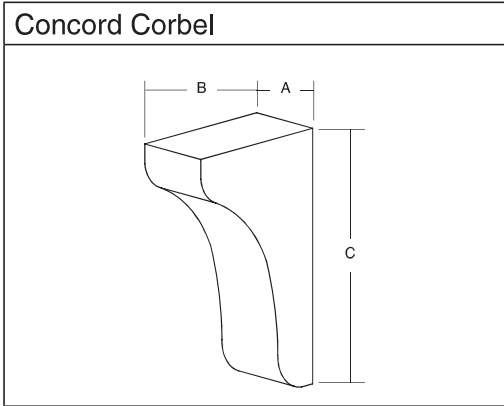
Lexington Shelf Strap	
Finish	Part No.*
Gunmetal Grey	2656110A
Stainless Steel	2656112A
Wrought Iron	2656113A

*Part Number reflects each



Please refer to pricing through Con-Nex,
our online ordering program

Wood Corbels

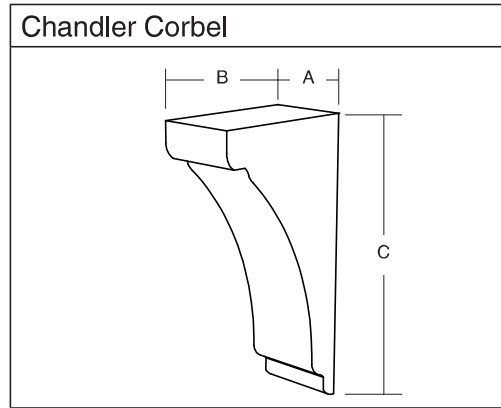


Specie	Part No.	Dimension		
		A	B	C
Alder	2652899A	1-3/4"	1-1/2"	3"
Cherry	2652900A	1-3/4"	1-1/2"	3"
Maple	2652901A	1-3/4"	1-1/2"	3"
Paint Grade	2652902A	1-3/4"	1-1/2"	3"
Red Oak	2652903A	1-3/4"	1-1/2"	3"
Alder	2652894A	1-3/4"	4"	6-1/2"
Cherry	2652895A	1-3/4"	4"	6-1/2"
Maple	2652896A	1-3/4"	4"	6-1/2"
Paint Grade	2652897A	1-3/4"	4"	6-1/2"
Red Oak	2652898A	1-3/4"	4"	6-1/2"
Alder	2652889A	1-3/4"	5"	8-1/16"
Cherry	2652890A	1-3/4"	5"	8-1/16"
Maple	2652891A	1-3/4"	5"	8-1/16"
Paint Grade	2652892A	1-3/4"	5"	8-1/16"
Red Oak	2652893A	1-3/4"	5"	8-1/16"
Alder	2652884A	1-3/4"	6"	9-5/8"
Cherry	2652885A	1-3/4"	6"	9-5/8"
Maple	2652886A	1-3/4"	6"	9-5/8"
Paint Grade	2652887A	1-3/4"	6"	9-5/8"
Red Oak	2652888A	1-3/4"	6"	9-5/8"
Alder	2652879A	1-3/4"	8"	12-7/8"
Cherry	2652880A	1-3/4"	8"	12-7/8"
Maple	2652881A	1-3/4"	8"	12-7/8"
Paint Grade	2652882A	1-3/4"	8"	12-7/8"
Red Oak	2652883A	1-3/4"	8"	12-7/8"

Specie	Part No.	Dimension		
		A	B	C
Alder	2652924A	3"	1-1/2"	3"
Cherry	2652925A	3"	1-1/2"	3"
Maple	2652926A	3"	1-1/2"	3"
Paint Grade	2652927A	3"	1-1/2"	3"
Red Oak	2652928A	3"	1-1/2"	3"
Alder	2652919A	3"	4"	6-1/2"
Cherry	2652920A	3"	4"	6-1/2"
Maple	2652921A	3"	4"	6-1/2"
Paint Grade	2652922A	3"	4"	6-1/2"
Red Oak	2652923A	3"	4"	6-1/2"
Alder	2652914A	3"	5"	8-1/16"
Cherry	2652915A	3"	5"	8-1/16"
Maple	2652916A	3"	5"	8-1/16"
Paint Grade	2652917A	3"	5"	8-1/16"
Red Oak	2652918A	3"	5"	8-1/16"
Alder	2652909A	3"	6"	9-5/8"
Cherry	2652910A	3"	6"	9-5/8"
Maple	2652911A	3"	6"	9-5/8"
Paint Grade	2652912A	3"	6"	9-5/8"
Red Oak	2652913A	3"	6"	9-5/8"
Alder	2652904A	3"	8"	12-7/8"
Cherry	2652905A	3"	8"	12-7/8"
Maple	2652906A	3"	8"	12-7/8"
Paint Grade	2652907A	3"	8"	12-7/8"
Red Oak	2652908A	3"	8"	12-7/8"

Please refer to pricing through Con-Nex, our online ordering program

Wood Corbels (continued)

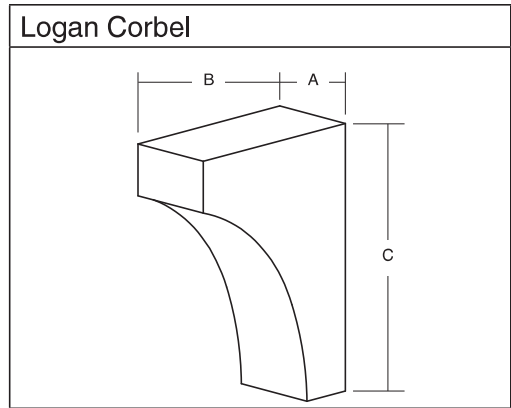


Specie	Part No.	Dimension		
		A	B	C
Alder	2652659A	1-3/4"	4"	7-3/16"
Cherry	2652660A	1-3/4"	4"	7-3/16"
Maple	2652661A	1-3/4"	4"	7-3/16"
Paint Grade	2652662A	1-3/4"	4"	7-3/16"
Red Oak	2652663A	1-3/4"	4"	7-3/16"
Alder	2652654A	1-3/4"	5"	9"
Cherry	2652655A	1-3/4"	5"	9"
Maple	2652656A	1-3/4"	5"	9"
Paint Grade	2652657A	1-3/4"	5"	9"
Red Oak	2652658A	1-3/4"	5"	9"
Alder	2652649A	1-3/4"	5-1/2"	10-5/8"
Cherry	2652650A	1-3/4"	5-1/2"	10-5/8"
Maple	2652651A	1-3/4"	5-1/2"	10-5/8"
Paint Grade	2652652A	1-3/4"	5-1/2"	10-5/8"
Red Oak	2652653A	1-3/4"	5-1/2"	10-5/8"
Alder	2652644A	1-3/4"	8"	14-5/32"
Cherry	2652645A	1-3/4"	8"	14-5/32"
Maple	2652646A	1-3/4"	8"	14-5/32"
Paint Grade	2652647A	1-3/4"	8"	14-5/32"
Red Oak	2652648A	1-3/4"	8"	14-5/32"

Specie	Part No.	Dimension		
		A	B	C
Alder	2652679A	3"	4"	7-3/16"
Cherry	2652680A	3"	4"	7-3/16"
Maple	2652681A	3"	4"	7-3/16"
Paint Grade	2652682A	3"	4"	7-3/16"
Red Oak	2652683A	3"	4"	7-3/16"
Alder	2652674A	3"	5"	9"
Cherry	2652675A	3"	5"	9"
Maple	2652676A	3"	5"	9"
Paint Grade	2652677A	3"	5"	9"
Red Oak	2652678A	3"	5"	9"
Alder	2652669A	3"	5-1/2"	10-5/8"
Cherry	2652670A	3"	5-1/2"	10-5/8"
Maple	2652671A	3"	5-1/2"	10-5/8"
Paint Grade	2652672A	3"	5-1/2"	10-5/8"
Red Oak	2652673A	3"	5-1/2"	10-5/8"
Alder	2652664A	3"	8"	14-5/32"
Cherry	2652665A	3"	8"	14-5/32"
Maple	2652666A	3"	8"	14-5/32"
Paint Grade	2652667A	3"	8"	14-5/32"
Red Oak	2652668A	3"	8"	14-5/32"

Please refer to pricing through Con-Nex, our online ordering program

Wood Corbels (continued)

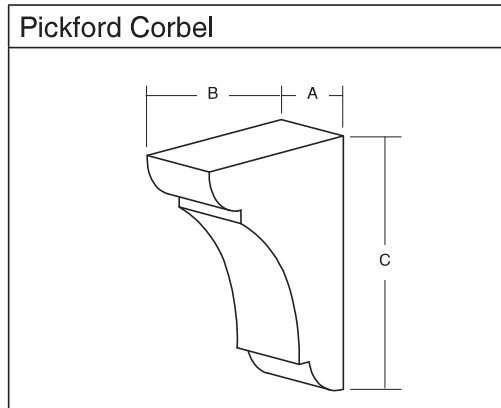


Specie	Part No.	Dimension		
		A	B	C
Alder	2652989A	1-3/4"	3"	3"
Cherry	2652990A	1-3/4"	3"	3"
Maple	2652991A	1-3/4"	3"	3"
Paint Grade	2652992A	1-3/4"	3"	3"
Red Oak	2652993A	1-3/4"	3"	3"
Alder	2652984A	1-3/4"	4"	6"
Cherry	2652985A	1-3/4"	4"	6"
Maple	2652986A	1-3/4"	4"	6"
Paint Grade	2652987A	1-3/4"	4"	6"
Red Oak	2652988A	1-3/4"	4"	6"
Alder	2652979A	1-3/4"	5"	7-1/2"
Cherry	2652980A	1-3/4"	5"	7-1/2"
Maple	2652981A	1-3/4"	5"	7-1/2"
Paint Grade	2652982A	1-3/4"	5"	7-1/2"
Red Oak	2652983A	1-3/4"	5"	7-1/2"
Alder	2652974A	1-3/4"	6-1/2"	9"
Cherry	2652975A	1-3/4"	6-1/2"	9"
Maple	2652976A	1-3/4"	6-1/2"	9"
Paint Grade	2652977A	1-3/4"	6-1/2"	9"
Red Oak	2652978A	1-3/4"	6-1/2"	9"
Alder	2652969A	1-3/4"	8"	12"
Cherry	2652970A	1-3/4"	8"	12"
Maple	2652971A	1-3/4"	8"	12"
Paint Grade	2652972A	1-3/4"	8"	12"
Red Oak	2652973A	1-3/4"	8"	12"

Specie	Part No.	Dimension		
		A	B	C
Alder	2653014A	3"	3"	3"
Cherry	2653015A	3"	3"	3"
Maple	2653016A	3"	3"	3"
Paint Grade	2653017A	3"	3"	3"
Red Oak	2653018A	3"	3"	3"
Alder	2653009A	3"	4"	6"
Cherry	2653010A	3"	4"	6"
Maple	2653011A	3"	4"	6"
Paint Grade	2653012A	3"	4"	6"
Red Oak	2653013A	3"	4"	6"
Alder	2653004A	3"	5"	7-1/2"
Cherry	2653005A	3"	5"	7-1/2"
Maple	2653006A	3"	5"	7-1/2"
Paint Grade	2653007A	3"	5"	7-1/2"
Red Oak	2653008A	3"	5"	7-1/2"
Alder	2652999A	3"	6-1/2"	9"
Cherry	2653000A	3"	6-1/2"	9"
Maple	2653001A	3"	6-1/2"	9"
Paint Grade	2653002A	3"	6-1/2"	9"
Red Oak	2653003A	3"	6-1/2"	9"
Alder	2652994A	3"	8"	12"
Cherry	2652995A	3"	8"	12"
Maple	2652996A	3"	8"	12"
Paint Grade	2652997A	3"	8"	12"
Red Oak	2652998A	3"	8"	12"

Please refer to pricing through Con-Nex, our online ordering program

Wood Corbels (continued)

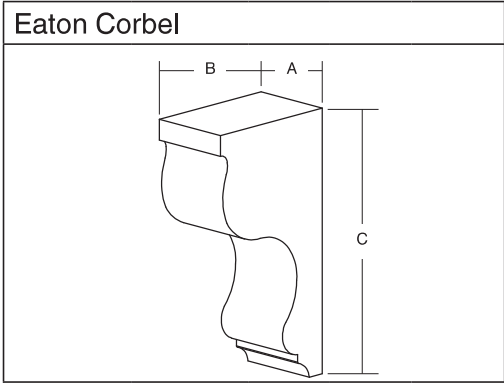


Specie	Part No.	Dimension		
		A	B	C
Alder	2652704A	1-3/4"	3"	3"
Cherry	2652705A	1-3/4"	3"	3"
Maple	2652706A	1-3/4"	3"	3"
Paint Grade	2652707A	1-3/4"	3"	3"
Red Oak	2652708A	1-3/4"	3"	3"
Alder	2652699A	1-3/4"	4"	6"
Cherry	2652700A	1-3/4"	4"	6"
Maple	2652701A	1-3/4"	4"	6"
Paint Grade	2652702A	1-3/4"	4"	6"
Red Oak	2652703A	1-3/4"	4"	6"
Alder	2652694A	1-3/4"	5"	7-1/2"
Cherry	2652695A	1-3/4"	5"	7-1/2"
Maple	2652696A	1-3/4"	5"	7-1/2"
Paint Grade	2652697A	1-3/4"	5"	7-1/2"
Red Oak	2652698A	1-3/4"	5"	7-1/2"
Alder	2652689A	1-3/4"	6-1/2"	9"
Cherry	2652690A	1-3/4"	6-1/2"	9"
Maple	2652691A	1-3/4"	6-1/2"	9"
Paint Grade	2652692A	1-3/4"	6-1/2"	9"
Red Oak	2652693A	1-3/4"	6-1/2"	9"
Alder	2652684A	1-3/4"	8"	12"
Cherry	2652685A	1-3/4"	8"	12"
Maple	2652686A	1-3/4"	8"	12"
Paint Grade	2652687A	1-3/4"	8"	12"
Red Oak	2652688A	1-3/4"	8"	12"

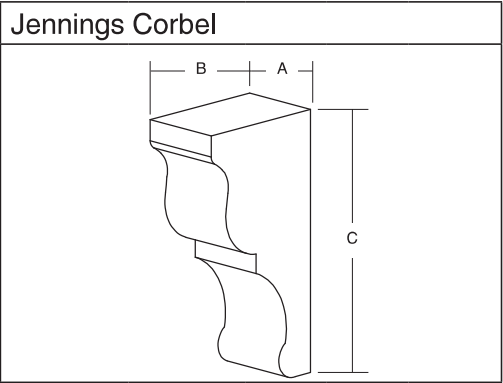
Specie	Part No.	Dimension		
		A	B	C
Alder	2652729A	3"	3"	3"
Cherry	2652730A	3"	3"	3"
Maple	2652731A	3"	3"	3"
Paint Grade	2652732A	3"	3"	3"
Red Oak	2652733A	3"	3"	3"
Alder	2652724A	3"	4"	6"
Cherry	2652725A	3"	4"	6"
Maple	2652726A	3"	4"	6"
Paint Grade	2652727A	3"	4"	6"
Red Oak	2652728A	3"	4"	6"
Alder	2652719A	3"	5"	7-1/2"
Cherry	2652720A	3"	5"	7-1/2"
Maple	2652721A	3"	5"	7-1/2"
Paint Grade	2652722A	3"	5"	7-1/2"
Red Oak	2652723A	3"	5"	7-1/2"
Alder	2652714A	3"	6-1/2"	9"
Cherry	2652715A	3"	6-1/2"	9"
Maple	2652716A	3"	6-1/2"	9"
Paint Grade	2652717A	3"	6-1/2"	9"
Red Oak	2652718A	3"	6-1/2"	9"
Alder	2652709A	3"	8"	12"
Cherry	2652710A	3"	8"	12"
Maple	2652711A	3"	8"	12"
Paint Grade	2652712A	3"	8"	12"
Red Oak	2652713A	3"	8"	12"

Please refer to pricing through Con-Nex, our online ordering program

Wood Corbels (continued)



Specie	Part No.	Dimension		
		A	B	C
Alder	2652854A	1-3/4"	3-1/4"	6-5/16"
Cherry	2652855A	1-3/4"	3-1/4"	6-5/16"
Maple	2652856A	1-3/4"	3-1/4"	6-5/16"
Paint Grade	2652857A	1-3/4"	3-1/4"	6-5/16"
Red Oak	2652858A	1-3/4"	3-1/4"	6-5/16"
Alder	2652849A	1-3/4"	4"	7-3/4"
Cherry	2652850A	1-3/4"	4"	7-3/4"
Maple	2652851A	1-3/4"	4"	7-3/4"
Paint Grade	2652852A	1-3/4"	4"	7-3/4"
Red Oak	2652853A	1-3/4"	4"	7-3/4"
Alder	2652844A	1-3/4"	5"	9-9/16"
Cherry	2652845A	1-3/4"	5"	9-9/16"
Maple	2652846A	1-3/4"	5"	9-9/16"
Paint Grade	2652847A	1-3/4"	5"	9-9/16"
Red Oak	2652848A	1-3/4"	5"	9-9/16"
Alder	2652839A	1-3/4"	6-1/2"	12-1/2"
Cherry	2652840A	1-3/4"	6-1/2"	12-1/2"
Maple	2652841A	1-3/4"	6-1/2"	12-1/2"
Paint Grade	2652842A	1-3/4"	6-1/2"	12-1/2"
Red Oak	2652843A	1-3/4"	6-1/2"	12-1/2"
Alder	2652874A	3"	3-1/4"	6-5/16"
Cherry	2652875A	3"	3-1/4"	6-5/16"
Maple	2652876A	3"	3-1/4"	6-5/16"
Paint Grade	2652877A	3"	3-1/4"	6-5/16"
Red Oak	2652878A	3"	3-1/4"	6-5/16"
Alder	2652869A	3"	4"	7-3/4"
Cherry	2652870A	3"	4"	7-3/4"
Maple	2652871A	3"	4"	7-3/4"
Paint Grade	2652872A	3"	4"	7-3/4"
Red Oak	2652873A	3"	4"	7-3/4"
Alder	2652864A	3"	5"	9-9/16"
Cherry	2652865A	3"	5"	9-9/16"
Maple	2652866A	3"	5"	9-9/16"
Paint Grade	2652867A	3"	5"	9-9/16"
Red Oak	2652868A	3"	5"	9-9/16"
Alder	2652859A	3"	6-1/2"	12-1/2"
Cherry	2652860A	3"	6-1/2"	12-1/2"
Maple	2652861A	3"	6-1/2"	12-1/2"
Paint Grade	2652862A	3"	6-1/2"	12-1/2"
Red Oak	2652863A	3"	6-1/2"	12-1/2"

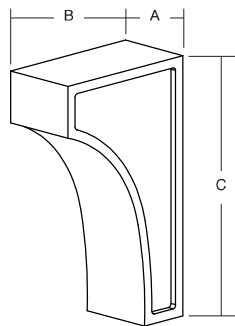


Specie	Part No.	Dimension		
		A	B	C
Alder	2652749A	1-3/4"	3-1/2"	6-1/8"
Cherry	2652750A	1-3/4"	3-1/2"	6-1/8"
Maple	2652751A	1-3/4"	3-1/2"	6-1/8"
Paint Grade	2652752A	1-3/4"	3-1/2"	6-1/8"
Red Oak	2652753A	1-3/4"	3-1/2"	6-1/8"
Alder	2652744A	1-3/4"	4-1/4"	7-1/2"
Cherry	2652745A	1-3/4"	4-1/4"	7-1/2"
Maple	2652746A	1-3/4"	4-1/4"	7-1/2"
Paint Grade	2652747A	1-3/4"	4-1/4"	7-1/2"
Red Oak	2652748A	1-3/4"	4-1/4"	7-1/2"
Alder	2652739A	1-3/4"	4-7/8"	9-1/2"
Cherry	2652740A	1-3/4"	4-7/8"	9-1/2"
Maple	2652741A	1-3/4"	4-7/8"	9-1/2"
Paint Grade	2652742A	1-3/4"	4-7/8"	9-1/2"
Red Oak	2652743A	1-3/4"	4-7/8"	9-1/2"
Alder	2652734A	1-3/4"	6-9/16"	12-3/4"
Cherry	2652735A	1-3/4"	6-9/16"	12-3/4"
Maple	2652736A	1-3/4"	6-9/16"	12-3/4"
Paint Grade	2652737A	1-3/4"	6-9/16"	12-3/4"
Red Oak	2652738A	1-3/4"	6-9/16"	12-3/4"
Alder	2652769A	3"	3-1/2"	6-1/8"
Cherry	2652770A	3"	3-1/2"	6-1/8"
Maple	2652771A	3"	3-1/2"	6-1/8"
Paint Grade	2652772A	3"	3-1/2"	6-1/8"
Red Oak	2652773A	3"	3-1/2"	6-1/8"
Alder	2652764A	3"	4-1/4"	7-1/2"
Cherry	2652765A	3"	4-1/4"	7-1/2"
Maple	2652766A	3"	4-1/4"	7-1/2"
Paint Grade	2652767A	3"	4-1/4"	7-1/2"
Red Oak	2652768A	3"	4-1/4"	7-1/2"
Alder	2652759A	3"	4-7/8"	9-1/2"
Cherry	2652760A	3"	4-7/8"	9-1/2"
Maple	2652761A	3"	4-7/8"	9-1/2"
Paint Grade	2652762A	3"	4-7/8"	9-1/2"
Red Oak	2652763A	3"	4-7/8"	9-1/2"
Alder	2652754A	3"	6-9/16"	12-3/4"
Cherry	2652755A	3"	6-9/16"	12-3/4"
Maple	2652756A	3"	6-9/16"	12-3/4"
Paint Grade	2652757A	3"	6-9/16"	12-3/4"
Red Oak	2652758A	3"	6-9/16"	12-3/4"

Please refer to pricing through Con-Nex, our online ordering program

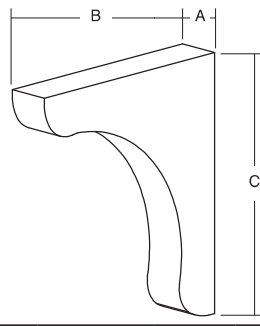
Wood Corbels (continued)

Houghton Corbel



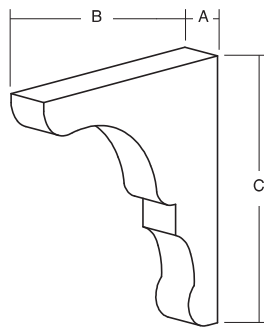
Specie	Part No.	Dimension		
		A	B	C
Alder	2652964A	3"	3"	5"
Cherry	2652965A	3"	3"	5"
Maple	2652966A	3"	3"	5"
Paint Grade	2652967A	3"	3"	5"
Red Oak	2652968A	3"	3"	5"
Alder	2652959A	3"	4-1/2"	7-1/2"
Cherry	2652960A	3"	4-1/2"	7-1/2"
Maple	2652961A	3"	4-1/2"	7-1/2"
Paint Grade	2652962A	3"	4-1/2"	7-1/2"
Red Oak	2652963A	3"	4-1/2"	7-1/2"
Alder	2652954A	3"	6"	10"
Cherry	2652955A	3"	6"	10"
Maple	2652956A	3"	6"	10"
Paint Grade	2652957A	3"	6"	10"
Red Oak	2652958A	3"	6"	10"
Alder	2652949A	3"	8-1/2"	14"
Cherry	2652950A	3"	8-1/2"	14"
Maple	2652951A	3"	8-1/2"	14"
Paint Grade	2652952A	3"	8-1/2"	14"
Red Oak	2652953A	3"	8-1/2"	14"
Alder	2652944A	4-3/4"	12"	22"
Cherry	2652945A	4-3/4"	12"	22"
Maple	2652946A	4-3/4"	12"	22"
Paint Grade	2652947A	4-3/4"	12"	22"
Red Oak	2652948A	4-3/4"	12"	22"

Concord Bracket



Specie	Part No.	Dimension		
		A	B	C
Alder	2652934A	1-3/4"	10"	10"
Cherry	2652935A	1-3/4"	10"	10"
Maple	2652936A	1-3/4"	10"	10"
Paint Grade	2652937A	1-3/4"	10"	10"
Red Oak	2652938A	1-3/4"	10"	10"
Alder	2652939A	3"	10"	10"
Cherry	2652940A	3"	10"	10"
Maple	2652941A	3"	10"	10"
Paint Grade	2652942A	3"	10"	10"
Red Oak	2652943A	3"	10"	10"

Jennings Bracket



Specie	Part No.	Dimension		
		A	B	C
Alder	2652779A	1-3/4"	10"	10"
Cherry	2652780A	1-3/4"	10"	10"
Maple	2652781A	1-3/4"	10"	10"
Paint Grade	2652782A	1-3/4"	10"	10"
Red Oak	2652783A	1-3/4"	10"	10"
Alder	2652784A	3"	10"	10"
Cherry	2652785A	3"	10"	10"
Maple	2652786A	3"	10"	10"
Paint Grade	2652787A	3"	10"	10"
Red Oak	2652788A	3"	10"	10"

Please refer to pricing through Con-Nex, our online ordering program

Wood Corbels (continued)

Simplicity Corbel

		Dimension		
Specie	Part No.	A	B	C
Alder	2655692A	2-3/4"	6"	10"
Cherry	2655693A	2-3/4"	6"	10"
Maple	2655694A	2-3/4"	6"	10"
Paint Grade	2655695A	2-3/4"	6"	10"
Red Oak	2655696A	2-3/4"	6"	10"
Alder	2655687A	3-1/2"	8"	12"
Cherry	2655688A	3-1/2"	8"	12"
Maple	2655689A	3-1/2"	8"	12"
Paint Grade	2655690A	3-1/2"	8"	12"
Red Oak	2655691A	3-1/2"	8"	12"

Simplicity Corbel

		Dimension		
Specie	Part No.	A	B	C
Alder	2655682A	4-1/2"	5-3/4"	5"
Cherry	2655683A	4-1/2"	5-3/4"	5"
Maple	2655684A	4-1/2"	5-3/4"	5"
Paint Grade	2655685A	4-1/2"	5-3/4"	5"
Red Oak	2655686A	4-1/2"	5-3/4"	5"

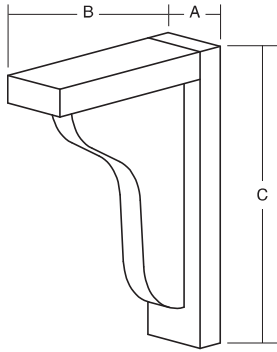
Simplicity Routed Corbel

		Dimension		
Specie	Part No.	A	B	C
Alder	2655657A	3-1/2"	8"	12"
Cherry	2655658A	3-1/2"	8"	12"
Maple	2655659A	3-1/2"	8"	12"
Paint Grade	2655660A	3-1/2"	8"	12"
Red Oak	2655661A	3-1/2"	8"	12"

Please refer to pricing through Con-Nex, our online ordering program

Wood Corbels (continued)

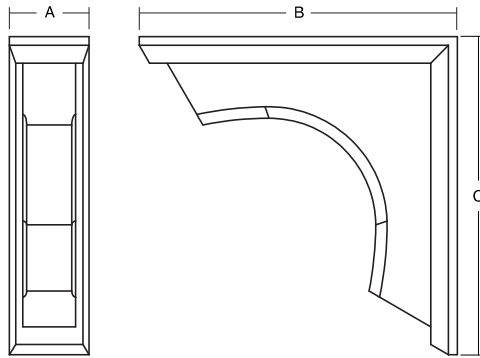
Counter Support Bracket (must purchase in pairs)



Specie	Part No.*	Dimension		
		A	B	C
Alder	2200186A	1-15/16"	5-15/16"	8-1/16"
Cherry	2200183A	1-15/16"	5-15/16"	8-1/16"
Maple	2200184A	1-15/16"	5-15/16"	8-1/16"
Red Oak	2200185A	1-15/16"	5-15/16"	8-1/16"
Alder	2200182A	1-15/16"	7-15/16"	10-1/16"
Cherry	2200179A	1-15/16"	7-15/16"	10-1/16"
Maple	2200180A	1-15/16"	7-15/16"	10-1/16"
Red Oak	2200181A	1-15/16"	7-15/16"	10-1/16"

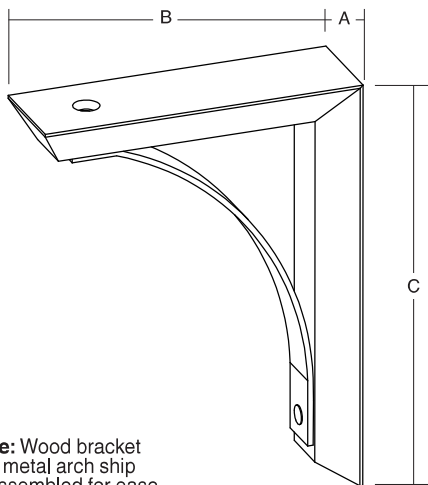
*Part Number reflects each

Laurel Bracket



Specie	Part No.	Dimension		
		A	B	C
Alder	2655823A	1-1/4"	5"	5"
Cherry	2655824A	1-1/4"	5"	5"
Maple	2655825A	1-1/4"	5"	5"
Red Oak	2655822A	1-1/4"	5"	5"
Alder	2655827A	3-3/4"	9"	9"
Cherry	2655828A	3-3/4"	9"	9"
Maple	2655829A	3-3/4"	9"	9"
Red Oak	2655826A	3-3/4"	9"	9"
Alder	2655831A	3-3/4"	9"	14"
Cherry	2655832A	3-3/4"	9"	14"
Maple	2655833A	3-3/4"	9"	14"
Red Oak	2655830A	3-3/4"	9"	14"

Millwood Bracket with Metal Arch

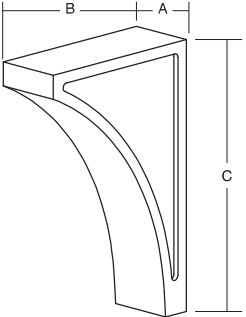


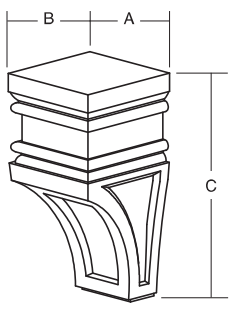
Note: Wood bracket and metal arch ship unassembled for ease of finishing.

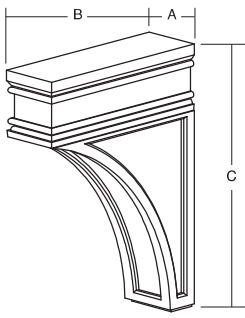
	Specie	Part No.	Dimension		
			A	B	C
Wrought Iron	Cherry	2656152A	2-1/8"	7"	9"
		2656160A	2-1/8"	9"	12"
	Maple	2656154A	2-1/8"	7"	9"
		2656162A	2-1/8"	9"	12"
	Red Oak	2656150A	2-1/8"	7"	9"
		2656158A	2-1/8"	9"	12"
	White Oak	2656156A	2-1/8"	7"	9"
		2656164A	2-1/8"	9"	12"

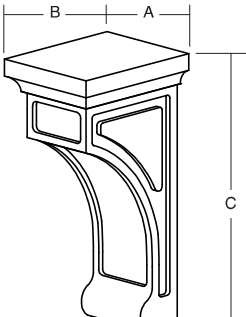
Please refer to pricing through Con-Nex, our online ordering program

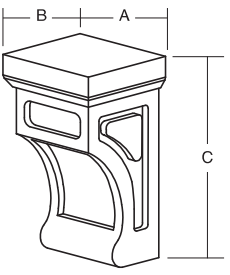
Wood Corbels (continued)

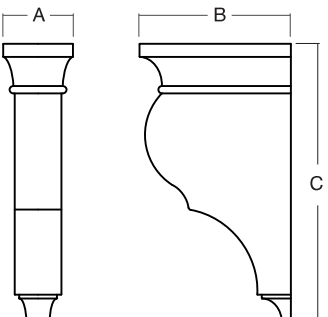
Arts & Crafts Corbel				
				
		Dimension		
Specie	Part No.	A	B	C
Maple	194.69.151	3"	8"	12"

Arts & Crafts Corbel				
				
		Dimension		
Specie	Part No.	A	B	C
Cherry	198.04.640	5-3/4"	3-15/16"	9"
Maple	198.04.140	5-3/4"	3-15/16"	9"
Cherry	198.04.650	2-7/8"	2-15/16"	6"
Maple	198.04.150	2-7/8"	2-15/16"	6"

Large Arts & Crafts Corbel				
				
		Dimension		
Specie	Part No.	A	B	C
Cherry	198.04.630	2-13/16"	8-7/8"	12"
Maple	198.04.130	2-13/16"	8-7/8"	12"

Medium Shaker Corbel				
				
		Dimension		
Specie	Part No.	A	B	C
Alder	2655667A	5-3/8"	6-3/4"	13-3/8"
Cherry	2655668A	5-3/8"	6-3/4"	13-3/8"
Maple	2655669A	5-3/8"	6-3/4"	13-3/8"
Paint Grade	2655670A	5-3/8"	6-3/4"	13-3/8"
Red Oak	2655671A	5-3/8"	6-3/4"	13-3/8"

Small Shaker Corbel				
				
		Dimension		
Specie	Part No.	A	B	C
Alder	2655662A	4"	3-1/2"	6-3/4"
Cherry	2655663A	4"	3-1/2"	6-3/4"
Maple	2655664A	4"	3-1/2"	6-3/4"
Paint Grade	2655665A	4"	3-1/2"	6-3/4"
Red Oak	2655666A	4"	3-1/2"	6-3/4"

Traditional Corbel				
				
		Dimension		
Specie	Part No.	A	B	C
Maple	194.69.150	3"	6-1/2"	12"

Please refer to pricing through Con-Nex,
our online ordering program

Wood Corbels (continued)

Acanthus Corbel

		Dimension		
Specie	Part No.	A	B	C
Cherry	194.69.604	5-3/4"	6-1/16"	9"
Maple	194.69.104	5-3/4"	6-1/16"	9"

Acanthus Corbel

		Dimension		
Specie	Part No.	A	B	C
Cherry	194.69.608	2-7/8"	9-3/16"	13"
Maple	194.69.108	2-7/8"	9-3/16"	13"

Isabelle Corbel

		Dimension		
Specie	Part No.	A	B	C
Cherry	2655806A	2-1/2"	6-1/8"	8"
Maple	2655807A	2-1/2"	6-1/8"	8"
Cherry	2655809A	4"	9-1/2"	14"
Maple	2655810A	4"	9-1/2"	14"

Scroll Corbel

		Dimension		
Specie	Part No.	A	B	C
Cherry	194.69.605	5-3/4"	6-1/16"	9"
Maple	194.69.105	5-3/4"	6-1/16"	9"

Scroll Corbel

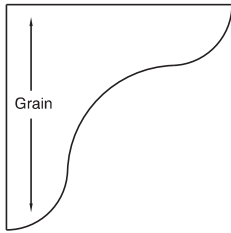
		Dimension		
Specie	Part No.	A	B	C
Cherry	194.69.606	2-7/8"	9-3/16"	13"
Maple	194.69.106	2-7/8"	9-3/16"	13"

Scroll Routed Corbel

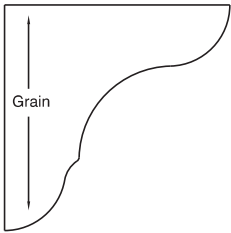
		Dimension		
Specie	Part No.	A	B	C
Cherry	2655653A	3-1/2"	7"	14"
Maple	2655654A	3-1/2"	7"	14"

Please refer to pricing through Con-Nex, our online ordering program

Wood Knee Brackets



Style "A"



Style "B"

- All published species available.
- Use Design Charge plus square foot Material Charge.
- Material Category B.
- 3/4" thick standard, 1" thick optional (bracket only).
- Available unfinished or finished. See the Finishing Program Section for availability and pricing.
- 6 day Standard lead-time, 2 day Code Red expedite lead-time; add 5-6 days for finishing.

Knee Brackets		
Size	Style "A"	Style "B"
6" x 6"		
9" x 9"		
12" x 12"		

Installation Cleats

- All published species available.
- Use Design Charge plus square foot Material Charge.
- Material Category B.
- Installation cleats sold in pairs.
- Brackets are 3/4" x 3" wide, sized 1-1/2" longer than the appropriate bracket for installation.
- Top cleat is designed to overlap back cleat by 3/4".
- Machine edge two long and one short edge; B2 profile on one short edge (leading edge).
- Available unfinished or finished. See the Finishing Program Section for availability and pricing.
- 6 day Standard lead-time, 2 day Code Red expedite lead-time; add 5-6 days for finishing.

Installation Cleats		
Cleat Size	Bracket Size	Design Charge
Top: 3" x 8-1/4"	6" x 6"	
Back: 3" x 7-1/2"		
Top: 3" x 11-1/4"	9" x 9"	
Back: 3" x 10-1/2"		
Top: 3" x 14-1/4"	12" x 12"	
Back: 3" x 13-1/2"		

